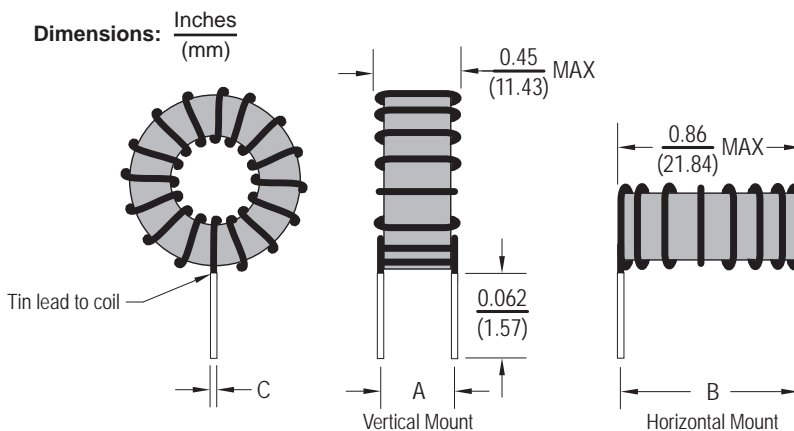
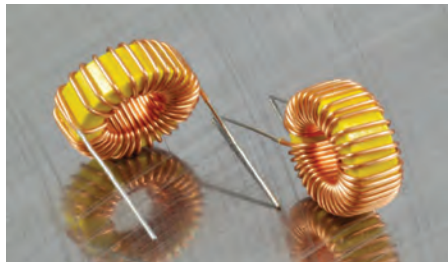




Low Loss High Current Toroid Choke TC210LL



| Allied Part Number | Inductance (μH) @ 1KHZ | Tolerance (%) | L(μH) @ I rated | IDC (A) | DCR (Ω) MAX | DIM A (Nom) | DIM B (Nom) | DIM C (Nom) |
|--------------------|------------------------|---------------|-----------------|---------|-------------|-------------|-------------|-------------|
| ()TC210LL-1R0L-RC | 1.0 | 20 | 0.8 | 21.4 | .002 | .37 | .80 | .053 |
| ()TC210LL-1R5L-RC | 1.5 | 20 | 1.1 | 18.5 | .002 | .37 | .80 | .053 |
| ()TC210LL-2R2L-RC | 2.2 | 20 | 1.5 | 16.5 | .003 | .37 | .80 | .053 |
| ()TC210LL-3R3L-RC | 3.3 | 20 | 2.1 | 15.1 | .003 | .37 | .80 | .053 |
| ()TC210LL-4R7L-RC | 4.7 | 20 | 2.9 | 14.0 | .003 | .37 | .80 | .053 |
| ()TC210LL-5R6L-RC | 5.6 | 20 | 3.3 | 13.1 | .004 | .37 | .80 | .053 |
| ()TC210LL-6R8L-RC | 6.8 | 20 | 3.9 | 12.3 | .004 | .37 | .80 | .053 |
| ()TC210LL-8R2L-RC | 8.2 | 20 | 4.5 | 11.7 | .005 | .37 | .80 | .053 |
| ()TC210LL-100L-RC | 10 | 15 | 5.2 | 9.9 | .005 | .37 | .80 | .053 |
| ()TC210LL-120L-RC | 12 | 15 | 6.1 | 9.6 | .006 | .37 | .80 | .053 |
| ()TC210LL-150L-RC | 15 | 15 | 7.3 | 9.1 | .006 | .37 | .80 | .053 |
| ()TC210LL-180L-RC | 18 | 15 | 8.5 | 8.6 | .007 | .37 | .80 | .053 |
| ()TC210LL-220L-RC | 22 | 15 | 11.8 | 6.7 | .012 | .35 | .78 | .042 |
| ()TC210LL-270L-RC | 27 | 15 | 14.2 | 6.4 | .012 | .35 | .78 | .042 |
| ()TC210LL-330L-RC | 33 | 15 | 16.6 | 6.1 | .014 | .35 | .78 | .042 |
| ()TC210LL-390L-RC | 39 | 15 | 18.8 | 5.9 | .015 | .35 | .78 | .042 |
| ()TC210LL-470L-RC | 47 | 15 | 25.3 | 5.6 | .024 | .33 | .76 | .034 |
| ()TC210LL-560L-RC | 56 | 15 | 29.3 | 5.3 | .026 | .33 | .76 | .034 |
| ()TC210LL-680L-RC | 68 | 15 | 34.0 | 5.1 | .030 | .40 | .76 | .034 |
| ()TC210LL-820L-RC | 82 | 15 | 39.9 | 4.6 | .032 | .40 | .76 | .034 |
| ()TC210LL-101L-RC | 100 | 15 | 46.2 | 4.3 | .036 | .40 | .76 | .034 |
| ()TC210LL-121L-RC | 120 | 15 | 53.5 | 4.1 | .039 | .40 | .76 | .034 |
| ()TC210LL-151L-RC | 150 | 15 | 63.8 | 3.6 | .043 | .40 | .76 | .034 |
| ()TC210LL-181L-RC | 180 | 15 | 73.3 | 3.7 | .048 | .40 | .76 | .034 |
| ()TC210LL-221L-RC | 220 | 15 | 85.1 | 3.5 | .053 | .40 | .76 | .034 |
| ()TC210LL-271L-RC | 270 | 15 | 124.2 | 2.7 | .093 | .37 | .74 | .027 |
| ()TC210LL-331L-RC | 330 | 15 | 145.1 | 2.5 | .103 | .37 | .74 | .027 |
| ()TC210LL-391L-RC | 390 | 15 | 165.4 | 2.4 | .112 | .37 | .74 | .027 |
| ()TC210LL-471L-RC | 470 | 15 | 190.1 | 2.3 | .124 | .38 | .76 | .027 |
| ()TC210LL-561L-RC | 560 | 15 | 217.9 | 2.2 | .134 | .38 | .76 | .027 |
| ()TC210LL-680L-RC | 680 | 15 | 251.9 | 2.1 | .147 | .38 | .76 | .027 |
| ()TC210LL-821L-RC | 820 | 15 | 361.6 | 1.6 | .257 | .37 | .75 | .022 |
| ()TC210LL-102L-RC | 1000 | 15 | 421.5 | 1.5 | .284 | .37 | .75 | .022 |

Please specify Vertical or Horizontal Mount by placing a V or H at the beginning of the part number, i.e. VTC210LL-100L (Vertical Mount). All specifications subject to change without notice.

Features

- Low Core Loss Series
- Low Magnetic Radiation
- High current capacity up to 21.4A
- Available in Horizontal or Vertical configuration

Electrical

Inductance Range: 1.0μH to 1000μH
Additional values available

Tolerance: 1.0uH~8.2uH @ 20%,
10uH~1000uH @ 15%

Test Frequency: 1KHz

Operating Temp: -55°C ~ +125°C

Temp Rise: ΔT=30°C Typical at rated IDC

Test Equipment

(L): 100 LCR meter or equivalent

DCR: Chen Hwa 502

Physical

Packaging: Bulk

Marking: None