

PLEASE CHECK WWW.MOLEX.COM FOR LATEST PART INFORMATION

Part Number: [0643194211](#)
Status: **Active**
Overview: [cmc connectors](#)
Description: .635mm (.025"), 1.50mm (.059"), CMC Receptacle, 24 Circuits, Right Wire Output, Black Coding, Mat Sealed, Row 1 Closed

Documents:

[3D Model](#) [Application Specification \(PDF\)](#)
[Drawing \(PDF\)](#) [RoHS Certificate of Compliance \(PDF\)](#)

General

Product Family	Crimp Housings
Series	64319
Comments	* Current tested on a 5 terminals loaded connector, current for temperature increase of 40°C . Current max = 6.0A for 0.635mm Terminal (0.75mm ² wire) and 12.0A for 1.5mm Terminal (2.0mm ² wire) *
More Detailed Tech Information	Sealed, high-density, modular connecting system for Power Train and Body Electronics applications in cars, trucks, busses
Overview	cmc connectors
Product Name	CMC

Physical

Circuits (maximum)	24
Circuits Detail	6 x 1.5mm, 18 x 0.635mm terminals
Color - Resin	Black
Gender	Female
Glow-Wire Compliant	No
Keying to Mating Part	Yes
Lock to Mating Part	Yes
Material - Resin	Polyester
Number of Rows	3
Packaging Type	Carton
Panel Mount	No
Pitch - Mating Interface (in)	0.100 In, 0.146 In
Pitch - Mating Interface (mm)	2.54 mm, 3.70 mm
Polarized to Mating Part	Yes
Stackable	No
Temperature Range - Operating	-40°C to +125°C

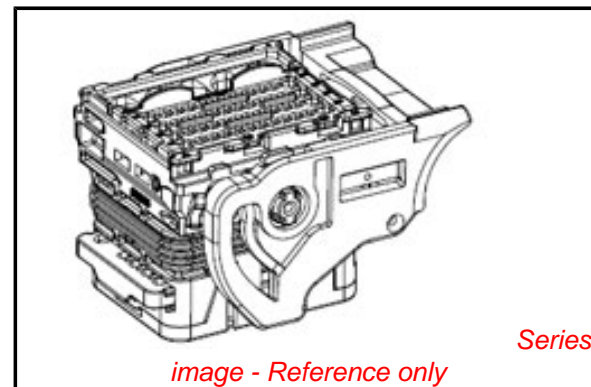
Electrical

Current - Maximum per Contact	12A, 6A
-------------------------------	---------

Material Info

Reference - Drawing Numbers

Packaging Specification	PK-64319-001
Sales Drawing	SD-64319-003, SD-98644-006



EU RoHS

ELV and RoHS Compliant
REACH SVHC
 Not Reviewed
Halogen-Free Status
 Not Reviewed

China RoHS



Need more information on product environmental compliance?

Email productcompliance@molex.com
 For a multiple part number RoHS Certificate of Compliance, [click here](#)

Please visit the [Contact Us](#) section for any non-product compliance questions.

Search Parts in this Series

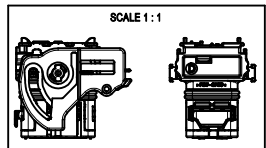
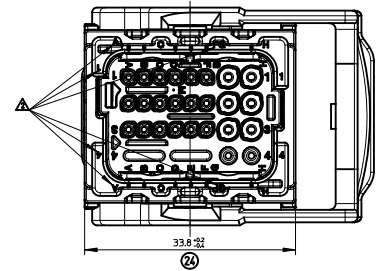
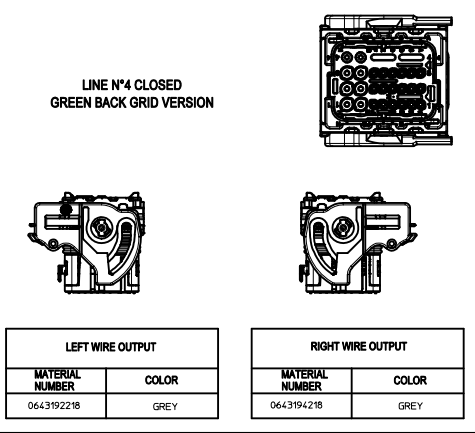
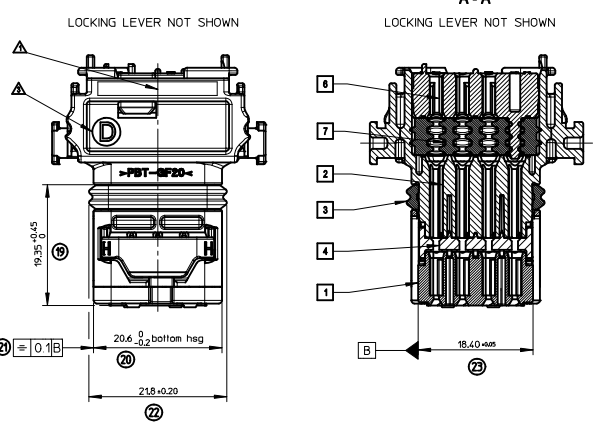
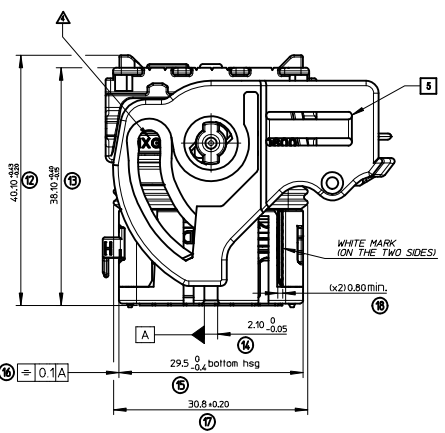
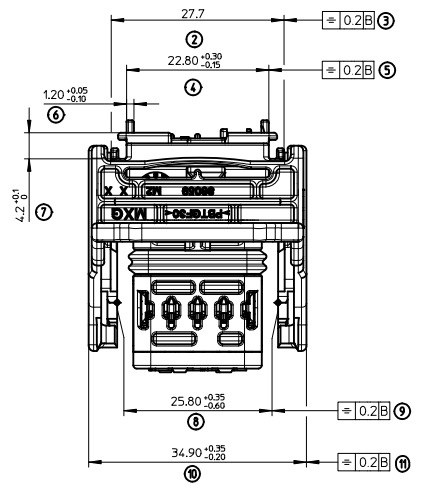
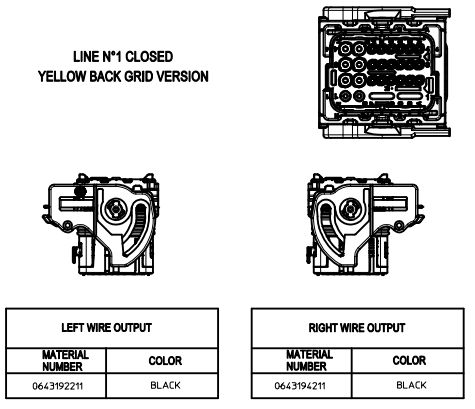
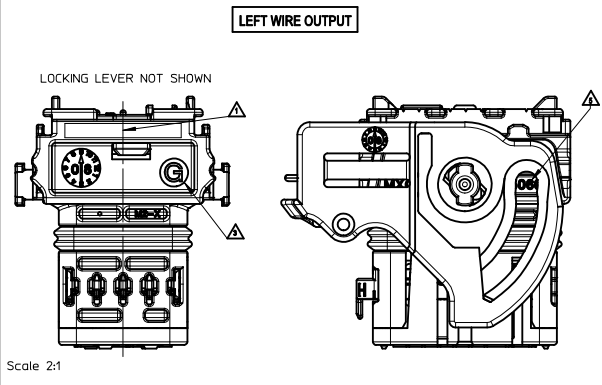
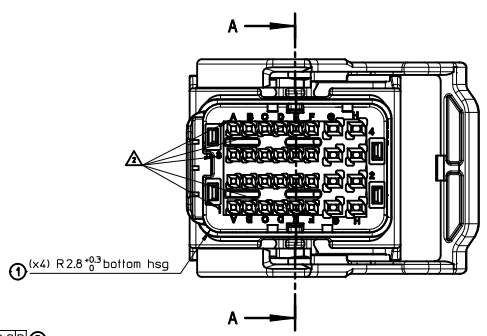
[64319Series](#)

Mates With

Single 32 Circuit CMC Header - Please Contact Molex

Use With

CMC CP Terminals [64322](#) , [64323](#). CMC Wire Cap [643191201](#). Sealing Plugs [643251010](#) , [643251023](#)



NOTES:

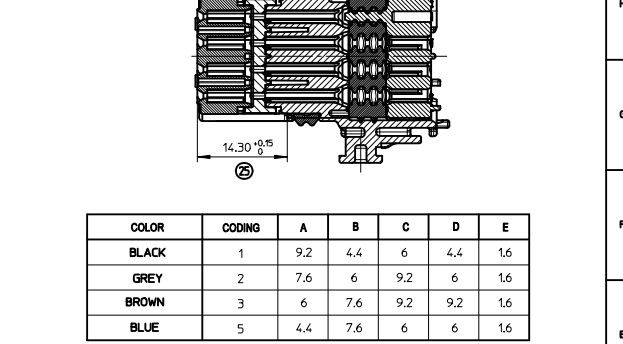
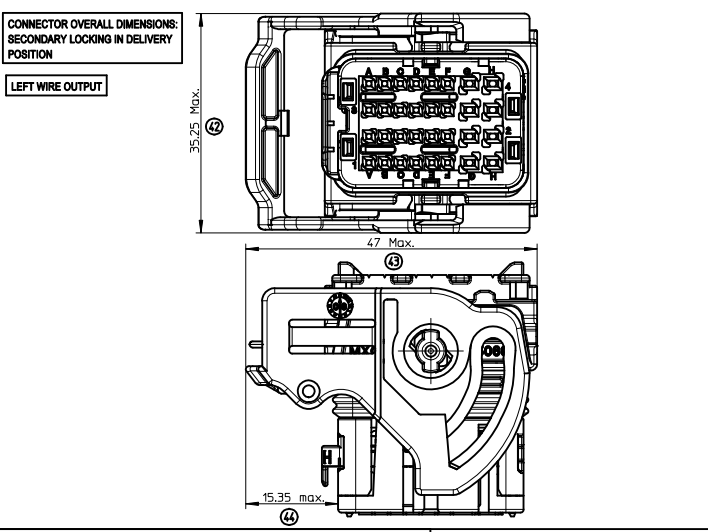
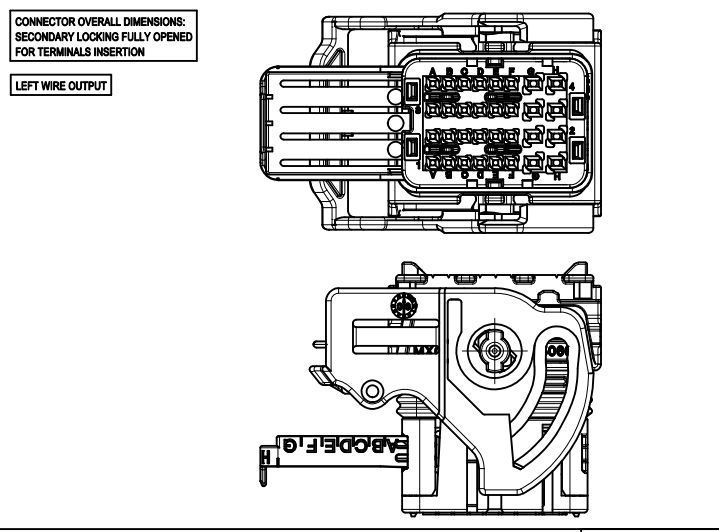
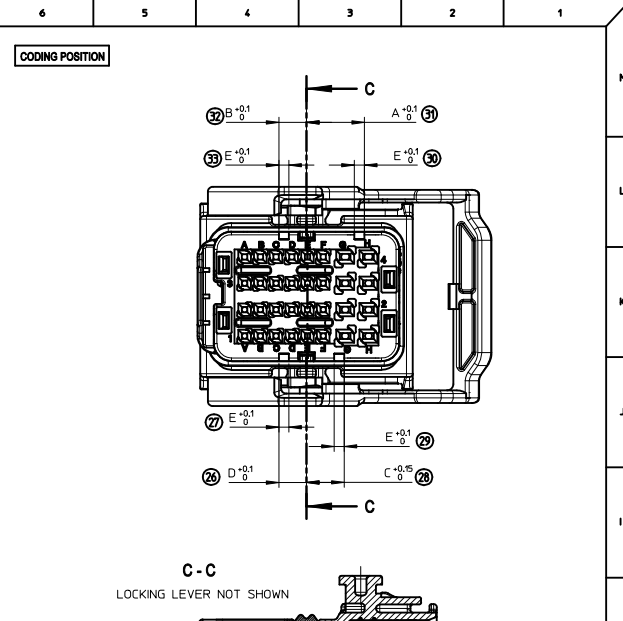
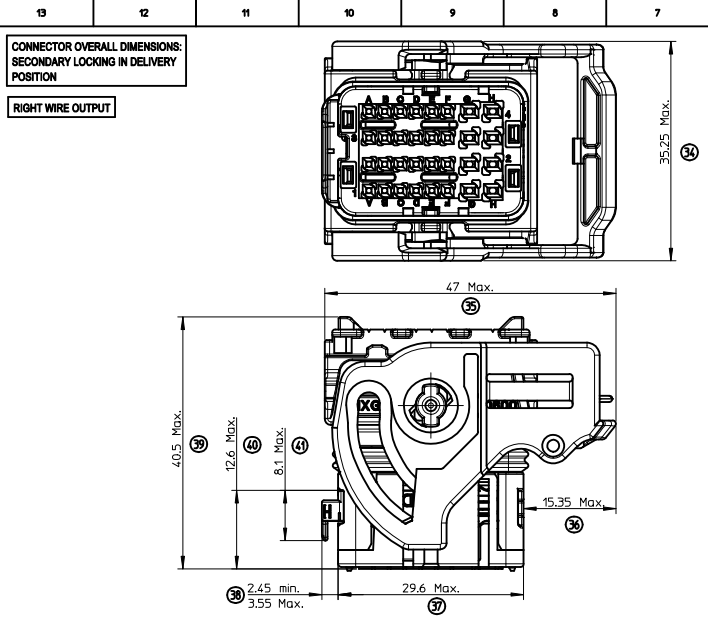
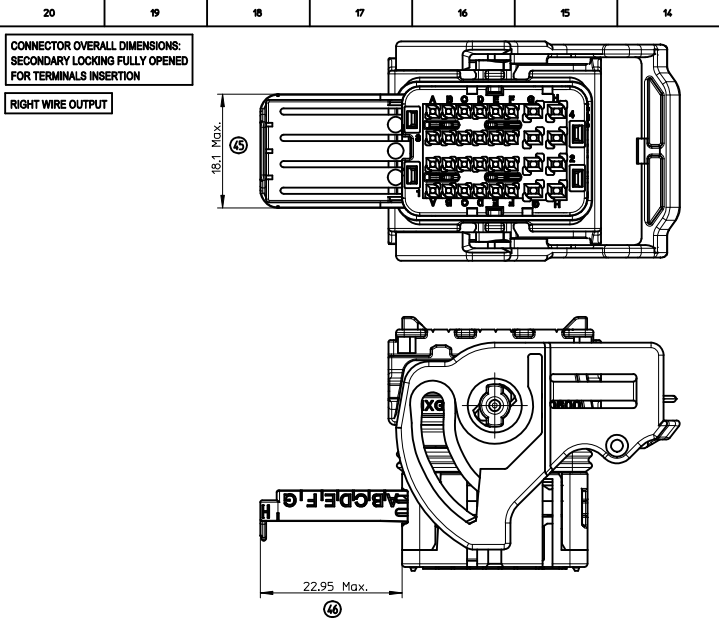
- 1-FOR ILLUSTRATION PURPOSE THE FEMALE HOUSING SHOWN IS THE RIGHT WIRE OUTPUT VERSION CODING 1
- 2-APPLICATION SPECIFICATION: AS-64319-001
- 3-WIRES EXTERNAL DIAMETER USED:
FOR CP0.6 TERMINAL: USE WIRES WITH AN EXTERNAL DIAMETER BETWEEN Ø1.25MM MIN AND Ø1.90MM MAX
FOR CP1.5 TERMINAL: USE WIRES WITH AN EXTERNAL DIAMETER BETWEEN Ø1.00MM MIN AND Ø2.80MM MAX
- 4-THE CONNECTOR FITS WITH WIRE CAP (32 WAY) MOLEX P/N 0643191201
- 5-BLIND PLUG FOR 0.6 AND 1.5 CAVITIES (MOLEX P/N 0643251010 AND 0643251023) MUST BE USED ON THIS PART.
- 6-DELIVERED PRODUCT WEIGHT: 27.6 g

7	MAT SEAL	Silicon	GREEN
8	BACK GRID 24W	>PBT-GF20<	COLOR LINKED TO LINE CLOSED
9	LOCKING LEVER 32W	>PBT-GF30<	BLACK
4	SECONDARY LOCK	>PBT-GF20<	GREEN
5	PERIPHERAL SEAL 32W	Silicon	BLUE
2	BACK PART	>PBT-GF20<	BLACK
1	FRONT PART	>PBT-GF20<	COLOR LINKED TO KEYING
POS.	DESIGNATION	MATERIAL	COLOR

MARKINGS:

- △ - Assembled part Iracability: Day + Year
- △ - Terminal cavities identification
- △ - Lever position indicator:
"D" LETTER VISIBLE = part with "LEVER ON THE RIGHT"
"G" LETTER VISIBLE = part with "LEVER ON THE LEFT"
- △ - Supplier identification
- △ - Material identification

UPDATED DRAWING EC NO: 009106/04 DRIVINGESBRIERRES, 2009/06/04 CHIKDIE-BOUCHAN APPR:	GENERAL TOLERANCES (UNLESS SPECIFIED) mm INCH 4 PLACES ± --- ± --- 3 PLACES ± --- ± --- 2 PLACES ± 0.1 ± --- 1 PLACE ± 0.1 ± --- ANGULAR ± 2 °		DIMENSION STYLE MM ONLY	SCALE 2.5:1	DESIGN UNITS METRIC	FIRST ANGLE PROJECTION
	DRAWN BY: T. BADAROUX CHECKED BY: P. GRANDCLAUD APPROVED BY: C. BOUCHAN DATE: 2008/05/23	DATE: 2008/05/23	TITLE CMC CONNECTOR 24 WAY MAT SEAL VERSION		MATERIAL NO. 064319-003 DOCUMENT NO. SD-64319-003	
DRAFT WHERE APPLICABLE MUST REMAIN WITHIN DIMENSIONS						
THIS DRAWING CONTAINS INFORMATION THAT IS PROPRIETARY TO MOLEX INCORPORATED AND SHOULD NOT BE USED WITHOUT WRITTEN PERMISSION						



TERMINALS USED

CAVITY #	FEMALE TERMINALS (Section mm2)	PLATING	MOLEX P/N	min / MAX WIRE INSULATION DIAMETER (mm)
A1 to F1 A2 to F2 A3 to F3 A4 to F4	CP 0.6 0.35mm2	Tin plated	0643221019	Ø125 min / Ø140 Max
		Gold plated	0643221229	
	CP 0.6 0.5mm2	Tin plated	0643221039	Ø140 min / Ø170 Max
		Gold plated	0643221239	
G1 to H4 G1 to H4	CP 0.6 0.75mm2	Tin plated	0643221029	Ø160 min / Ø190 Max
		Gold plated	0643221219	
	CP 15 0.5mm2 to 1mm2	Tin plated	0643231029	Ø140 min / Ø215 Max
		Gold plated	0643231319	
CP 15 >1mm2 to 2mm2	Tin plated	0643231039	Ø210 min / Ø280 Max	
	Gold plated	0643231219		

UPDATED DRAWING
 EC NO: 0
 DRAWING DESIGNED BY: 2009/06/04
 CHKDC: BOUCHAN
 APPR: [REDACTED]

GENERAL TOLERANCES
(UNLESS SPECIFIED)

	mm	INCH
4 PLACES ±	---	---
3 PLACES ±	---	---
2 PLACES ±	0.1	---
1 PLACE ±	0.1	---

ANGULAR ± 2°

DRAFT WHERE APPLICABLE
MUST REMAIN
WITHIN DIMENSIONS

DIMENSION STYLE
MM ONLY

SCALE
2.5:1

DESIGN UNITS
METRIC

FIRST ANGLE
PROJECTION

TITLE
CMC CONNECTOR 24 WAY
MAT SEAL VERSION

DATE
2008/05/23

CHECKED BY
P. GRANDCLAUD

DATE
2008/05/23

APPROVED BY
C. BOUCHAN

DATE
2008/05/23

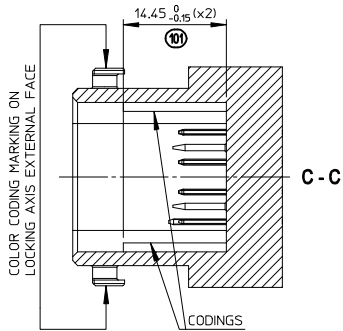
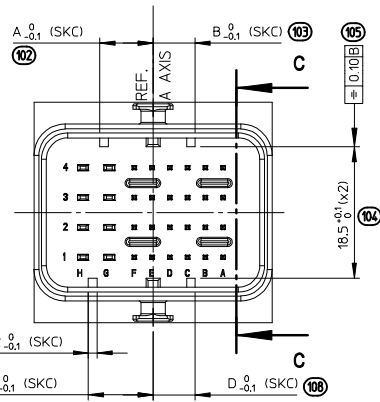
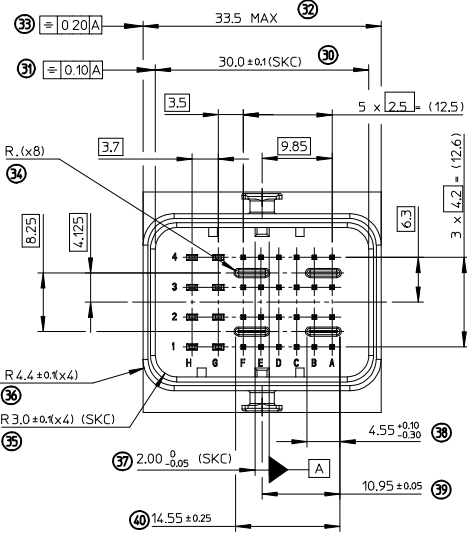
MATERIAL NO.
MOLEX INCORPORATED

DOCUMENT NO.
SD-64319-003

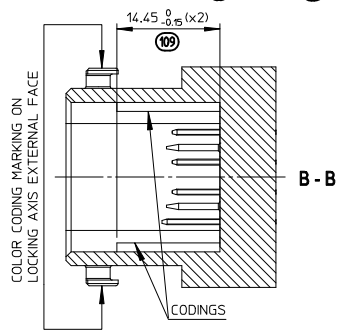
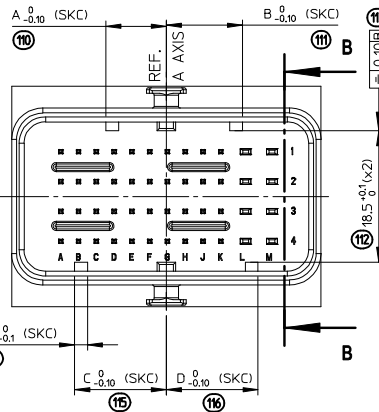
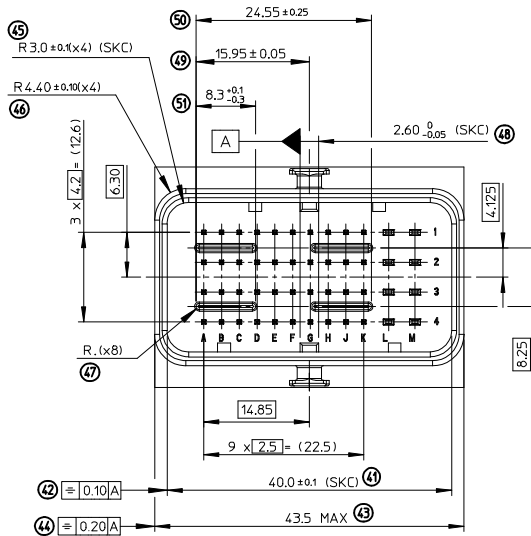
SHEET NO.
2 OF 2

THIS DRAWING CONTAINS INFORMATION THAT IS PROPRIETARY TO MOLEX
INCORPORATED AND SHOULD NOT BE USED WITHOUT WRITTEN PERMISSION

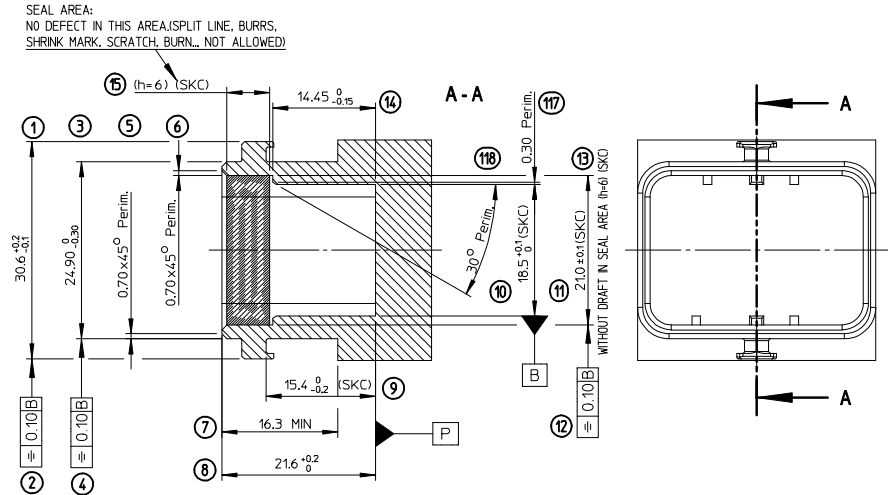
INTERFACE FOR HYBRID MODULE T2 (32 WAY)



INTERFACE FOR HYBRID MODULE T3 (48 WAY)



INTERFACES FOR HYBRID MODULES T2 (32 WAY) AND T3 (48 WAY)



HEADERS CODINGS

(CODING 2 SHOWN)

HEADER'S CODINGS FOR MODULE T2 (32W)					
COLOR	CODINGS	DIM. A	DIM. B	DIM. C	DIM. D
BLACK	1	9.1	4.3	5.9	4.3
GREY	2	7.5	5.9	9.1	5.9
BROWN	3	5.9	7.5	9.1	9.1
GREEN	4	7.5	9.1	4.3	4.3
BLUE	5	4.3	7.5	5.9	5.9
YELLOW	6	9.1	7.5	4.3	7.5

(CODING 3 SHOWN)

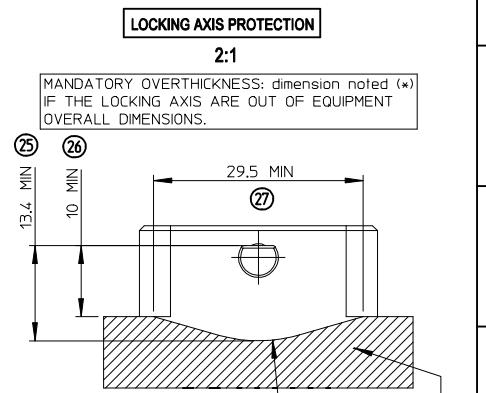
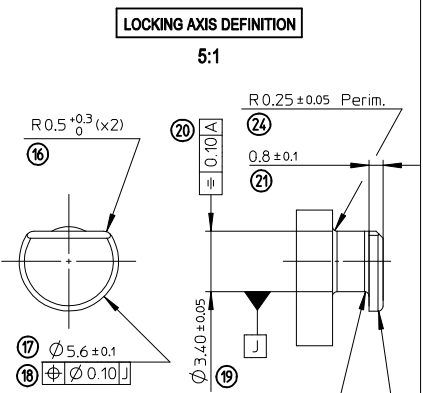
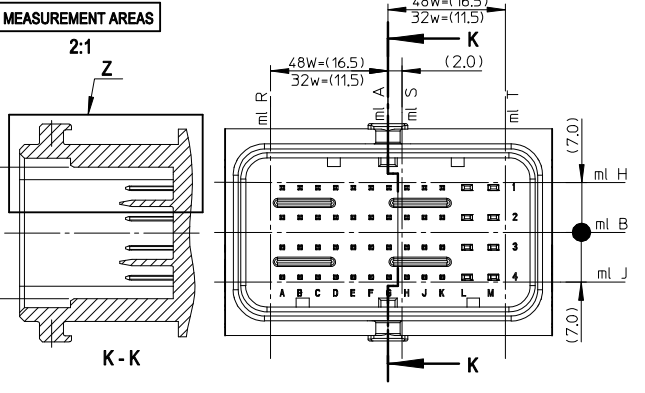
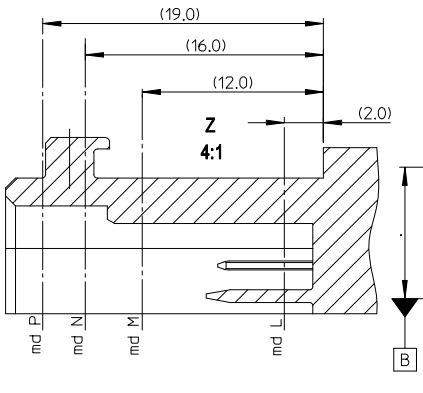
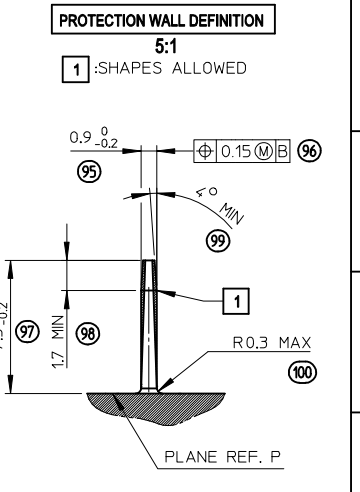
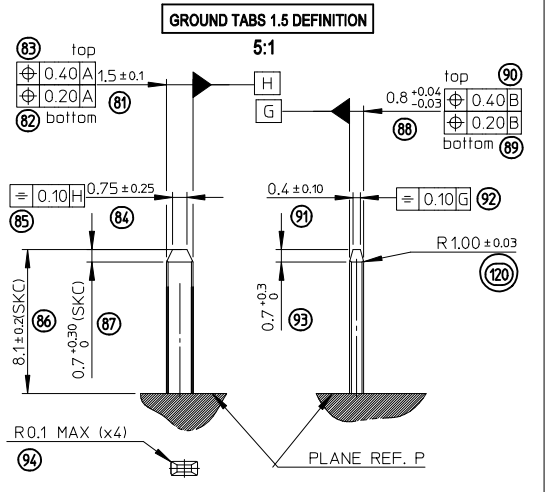
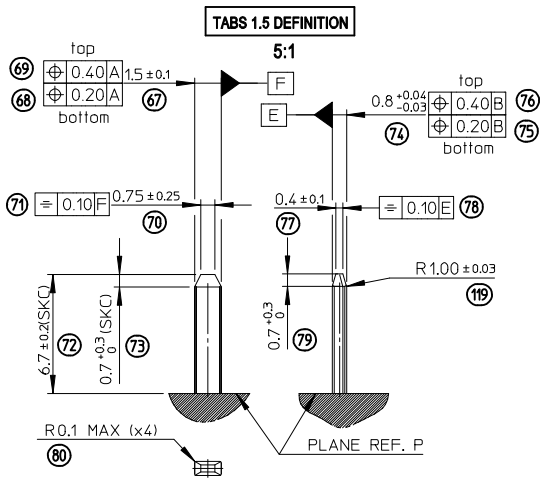
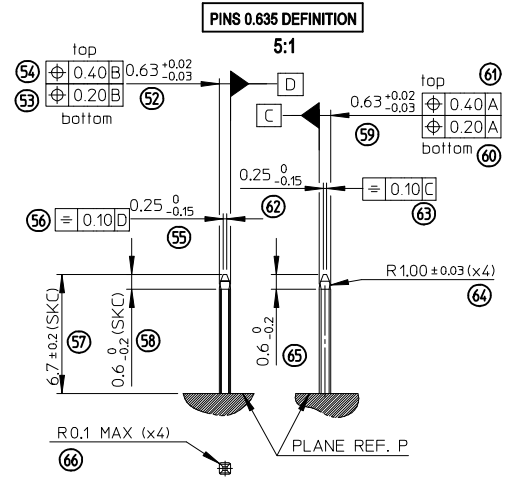
HEADER'S CODINGS FOR MODULE T3 (48W)					
COLOR	CODINGS	DIM. A	DIM. B	DIM. C	DIM. D
BLACK	1	12.9	6.3	8.5	6.3
GREY	2	10.7	8.5	12.9	8.5
BROWN	3	8.5	10.7	12.9	12.9
GREEN	4	10.7	12.9	6.3	6.3
BLUE	5	6.3	10.7	8.5	8.5
YELLOW	6	12.9	10.7	6.3	10.7

(SKC) SPECIAL KEY CHARACTERISTIC
 QUANTITY PER INDIVIDUAL SHEET
 (SKC) = 20

NOTE:

1- HEADER: ELASTICITY MODULUS: 8000Mpa min.
 (INITIAL CONDITION BEFORE AGEING)

REVISED EC NO: G2009-0185 DRWN: GDESBRUERES 2008/12/10 CHKD: J.GIURIATO 2008/12/11 APPR: O.PLESSIS 2008/12/15	DESCRIPTION	GENERAL TOLERANCES (UNLESS SPECIFIED)		DIMENSION STYLE MM ONLY	SCALE 2:1	DESIGN UNITS METRIC	FIRST ANGLE PROJECTION
		4 PLACES ± --- ± --- 3 PLACES ± --- ± --- 2 PLACES ± 0.10 ± --- 1 PLACE ± 0.10 ± --- ANGULAR ± 2°	DRAWN BY DATE G. DESBRUERES 2008/10/02	CHECKED BY DATE J. GIURIATO 2008/10/03	APPROVED BY DATE O. PLESSIS 2008/10/06	MATERIAL NO. N/A	TITLE INTERFACES FOR MODULES 32 & 48 CKT CMC GENERIC SALES DRAWING
DRAFT WHERE APPLICABLE MUST REMAIN WITHIN DIMENSIONS		THIS DRAWING CONTAINS INFORMATION THAT IS PROPRIETARY TO MOLEX INCORPORATED AND SHOULD NOT BE USED WITHOUT WRITTEN PERMISSION		DOCUMENT NO. SD-98644-006		1 OF 3	



T2 (32W)

POS N°	NOMINAL DIM.	MEASURE LINE ml	MEASURE DEPTH md
1	30.6 +0.20/-0.10		
3	24.9 0/-0.30	A, R, T	M, P
	24.5 MIN 24.9 MAX	A, R, T	L
8	21.6 ±0.20/0	MIN / MAX	
10	18.5 ±0.10/0	A	L, M
11	21.0 ±0.10	A, R, S, T	N, P
	20.8 MIN 21.1 MAX	R, S, T	L
30	30 ±0.10	B, H, J	N, P
	29.8 MIN 30.1 MAX	B, H, J	L
32	33.5 MAX	B, H, J	P
35	R3.0 ±0.10		L, N, P
37	2.0 0/-0.05		L, M
102-103-107-108	SEE CHART SHEET 1	CODING	L, M
104	18.5 ±0.10/0	CODING	L, M
106	1.2 0/-0.10	CODING	L, M

T3 (48W)

POS N°	NOMINAL DIM.	MEASURE LINE ml	MEASURE DEPTH md
1	30.6 +0.20/-0.10		
3	24.9 0/-0.30	A, R, T	M, P
	24.5 MIN 24.9 MAX	A, R, T	L
8	21.6 ±0.20/0	MIN / MAX	
10	18.5 ±0.10/0	A	L, M
11	21.0 ±0.10	A, R, S, T	N, P
	20.8 MIN 21.1 MAX	R, S, T	L
41	40 ±0.10	B, H, J	N, P
	39.8 MIN 40.1 MAX	B, H, J	L
43	43.5 MAX	B, H, J	P
45	R3.0 ±0.10		L, N, P
48	2.6 0/-0.05		L, M
110-111-115-116	SEE CHART SHEET 1	CODING	L, M
112	18.5 ±0.10/0	CODING	L, M
114	1.8 0/-0.10	CODING	L, M

MEASUREMENT CHARTS FOR INTERFACES SIZES T2 / T3

REVISED
EC NO: G2009-0185
DRAWN: GDEBRUERES 2008/12/10
CHKD: J. GIURIATO 2008/12/11
APPR: O.PLESSIS 2008/12/15

GENERAL TOLERANCES (UNLESS SPECIFIED)

	mm	INCH
4 PLACES ±	---	---
3 PLACES ±	---	---
2 PLACES ±	0.10	---
1 PLACE ±	0.10	---

ANGULAR ± 2°

DRAFT WHERE APPLICABLE MUST REMAIN WITHIN DIMENSIONS

DIMENSION STYLE
MM ONLY

DRAWN BY: G. DESBRUERES 2008/10/02
DATE: 2008/10/02

CHECKED BY: J. GIURIATO 2008/10/03
DATE: 2008/10/03

APPROVED BY: O. PLESSIS 2008/10/06
DATE: 2008/10/06

MATERIAL NO. N/A

SCALE: 1:1
DESIGN UNITS: METRIC
FIRST ANGLE PROJECTION

TITLE: INTERFACES FOR MODULES 32 & 48 CKT CMC
GENERIC SALES DRAWING

MOLEX INCORPORATED

DOCUMENT NO. SD-98644-006
SHEET NO. 2 OF 3

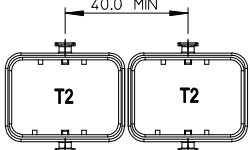
THIS DRAWING CONTAINS INFORMATION THAT IS PROPRIETARY TO MOLEX INCORPORATED AND SHOULD NOT BE USED WITHOUT WRITTEN PERMISSION

CONNECTOR ON HEADER - OVERALL DIMENSIONS

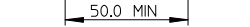
MULTI-HEADERS LAYOUT

LAYOUT FOR TWO INTERFACES T2 (32W)

FOR SAME HARNESS EXIT CONFIGURATION

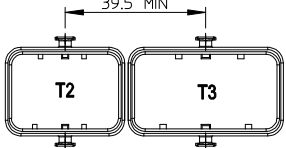


FOR OPPOSITE HARNESS EXIT CONFIGURATION



LAYOUT FOR TWO INTERFACES T2 (32W) AND T3 (48W)

FOR SAME HARNESS EXIT CONFIGURATION

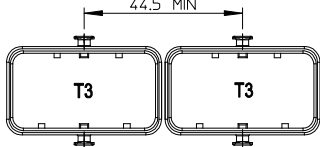


FOR OPPOSITE HARNESS EXIT CONFIGURATION

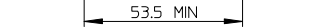


LAYOUT FOR TWO INTERFACES T3 (48W)

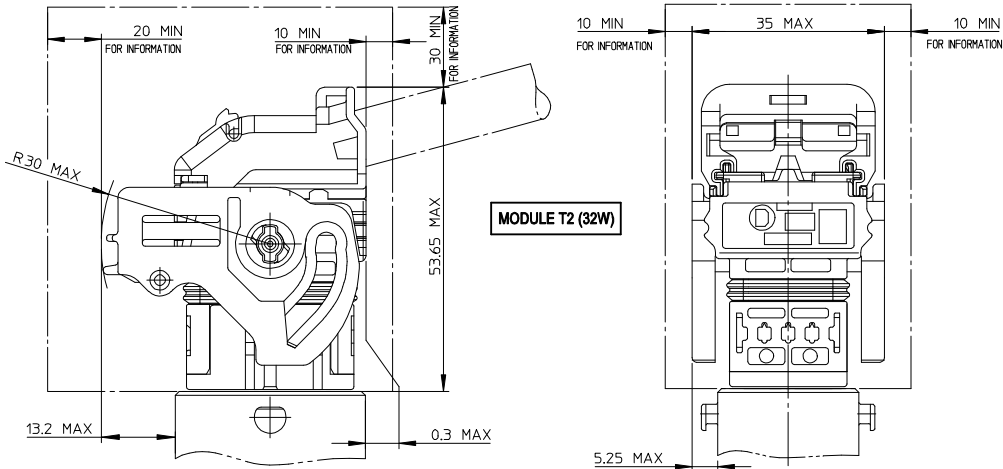
FOR SAME HARNESS EXIT CONFIGURATION



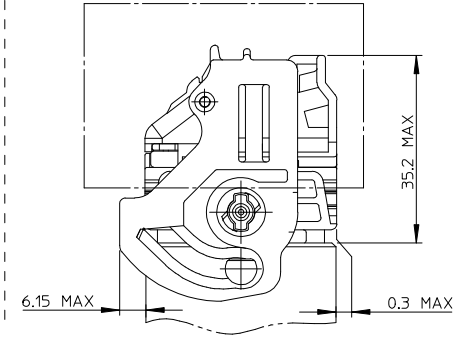
FOR OPPOSITE HARNESS EXIT CONFIGURATION



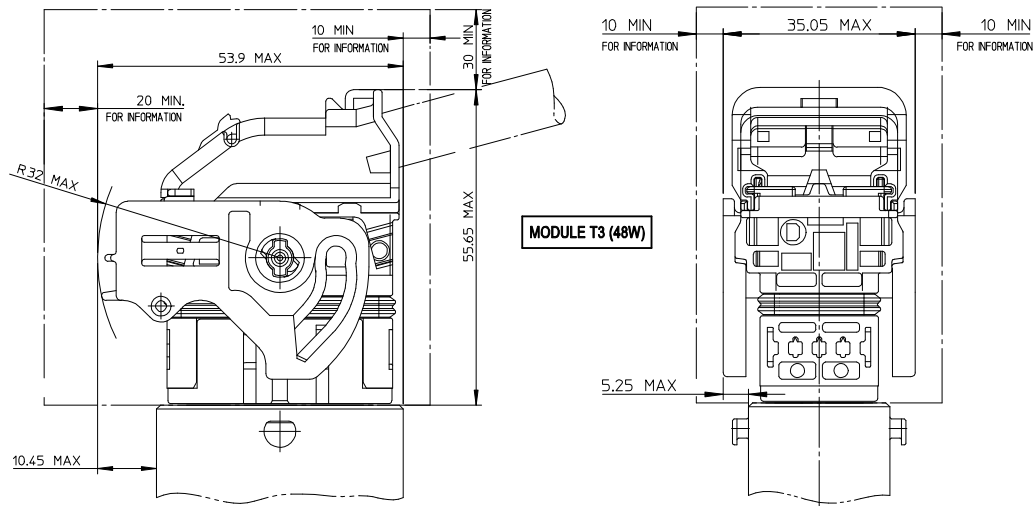
UNLOCKED CONNECTOR - OVERALL DIMENSIONS



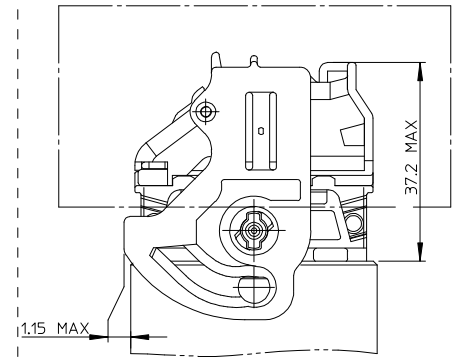
LOCKED CONNECTOR - OVERALL DIMENSIONS



UNLOCKED CONNECTOR - OVERALL DIMENSIONS



LOCKED CONNECTOR - OVERALL DIMENSIONS



LEGEND:



FREE VOLUME FOR MANUAL LOCKING AND UNLOCKING
DIMENSIONS GIVEN FOR INFORMATION ONLY TO BE
CONFIRMED BASED UPON VEHICLE CONFIGURATION.

(SKC) SPECIAL KEY CHARACTERISTIC

QUANTITY PER INDIVIDUAL SHEET

(SKC) = 0

NOTE:

1- T2 = 32 WAY / T3 = 48 WAY

REVISED
ECL NO: G2009-0185
DRAWING: DESBRUERES 2008/12/10
CHKO: J.GIURIATO 2008/12/11
APPR: PLESSIS 2008/12/15

DESCRIPTION

GENERAL TOLERANCES (UNLESS SPECIFIED)

	mm	INCH
4 PLACES	± 0.10	± 0.004
3 PLACES	± 0.15	± 0.005
2 PLACES	± 0.20	± 0.008
1 PLACE	± 0.30	± 0.012
ANGULAR ± 2°		

DRAFT WHERE APPLICABLE
MUST REMAIN
WITHIN DIMENSIONS

DIMENSION STYLE

MM ONLY	SCALE	DESIGN UNITS	FIRST ANGLE PROJECTION
MM ONLY	1:1	METRIC	FIRST ANGLE PROJECTION

DRAWN BY: G. DESBRUERES 2008/10/02
CHECKED BY: J. GIURIATO 2008/10/03
APPROVED BY: O. PLESSIS 2008/10/06
MATERIAL NO. N/A

SCALE 1:1 DESIGN UNITS METRIC FIRST ANGLE PROJECTION

TITLE	DATE	DATE	DATE
INTERFACES FOR MODULES 32 & 48 CKT CMC	2008/10/02	2008/10/03	2008/10/06
GENERIC SALES DRAWING			

MOLEX INCORPORATED
DOCUMENT NO. SD-98644-006
SHEET NO. 3 OF 3

THIS DRAWING CONTAINS INFORMATION THAT IS PROPRIETARY TO MOLEX INCORPORATED AND SHOULD NOT BE USED WITHOUT WRITTEN PERMISSION