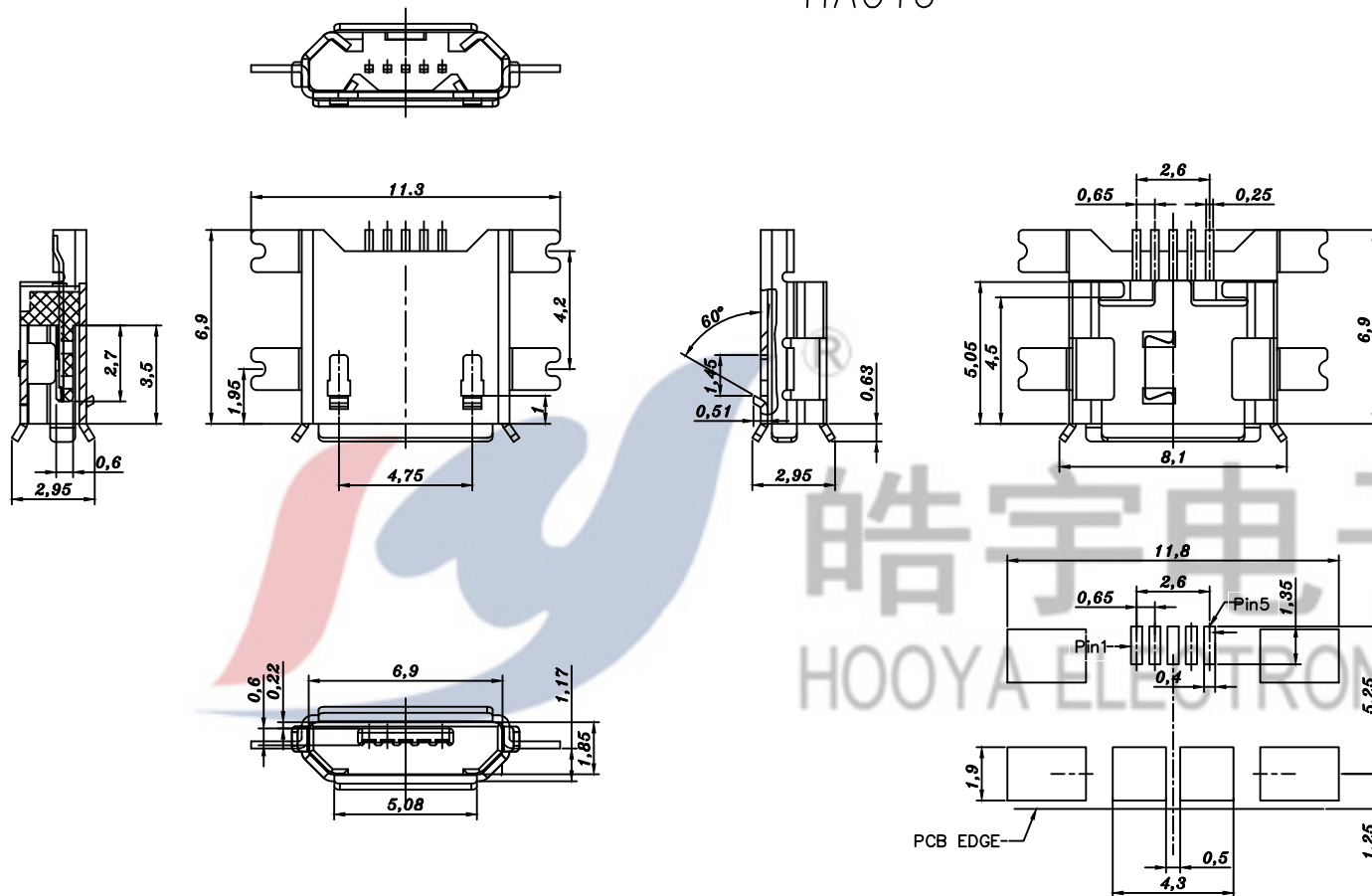


HAOYU



RECOMMENDED PCB LAYOUT

注: B:黑色胶舌 CU: 外壳为黄铜

				TOLERANCE UNLESS SPECIFIED									
				UP TO 5mm: ±0.1	ANGULAR	1							
				ABOVE 5mm: ±0.2	±1°	NO	DATE	REVISIONS		BY	APPD		
3	CONTACT	BRASS	5	Au-Plated	TITLE: USB JACK		UNIT: MM	ROHS COMPLIANT	DWN				
2	COVER	BRASS	1	SN-Plated	MODEL: USB-111C-B-CU B型		SCALE: 1:1		CHK'D				
1	HOUSING	PA9T	1	BLACK	HAOYU(HONGKONG)LIMITED							APPD	
				皓宇(香港)有限公司							PRO.AGL:	REV: A	
NO.	PART NAME	MATERIAL	QTY	FINISHING									