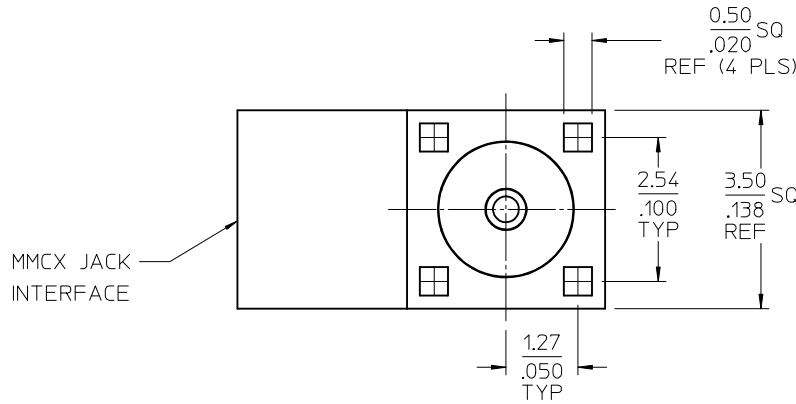
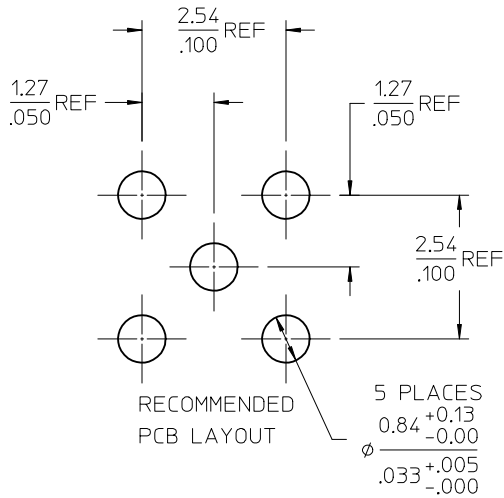
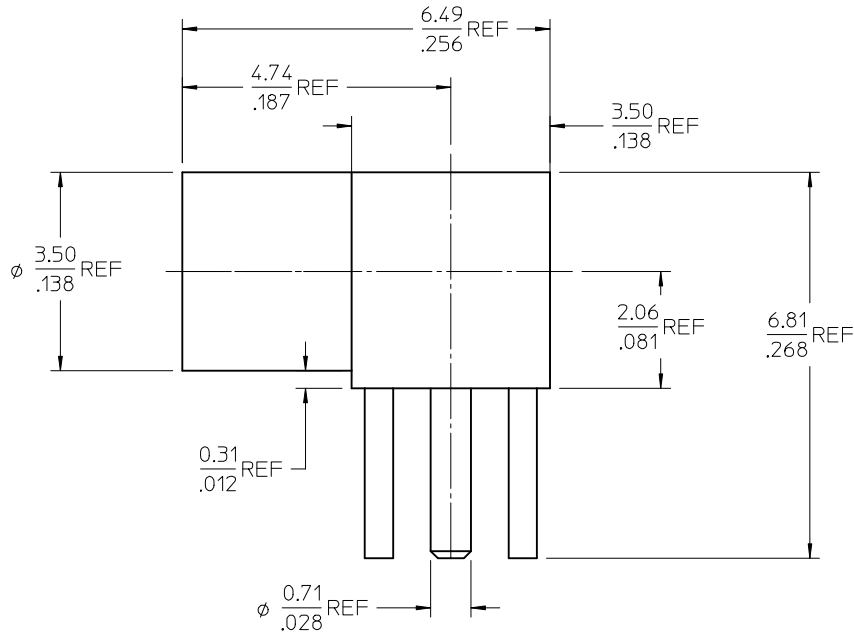
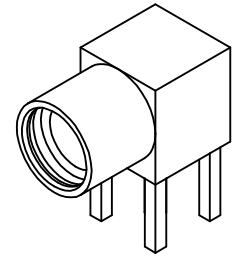


MATERIALS AND FINISHES

BODY BRASS  
PLATED SEE TABLE

CENTER CONTACT BERYLLIUM COPPER  
PLATED GOLD

INSULATOR TEFLON



73415-1003	TRI-M	BULK
73415-1002	GOLD (COMMERCIAL)	ONE PER BAG
73415-1001	GOLD (COMMERCIAL)	BULK
73415-1000	GOLD (MILITARY)	BULK
PART NO.	BODY PLATING	PACKAGING

PS-89675-1920	ELECTRICAL/MECHANICAL
SPECIFICATION	DESCRIPTION

CHG: ADDED P/N  
73415-1003  
INTERFACE SPEC WAS  
PS-73599-0000-016  
PCB HOLE SIZE WAS  
Ø.033±.002

EC NO: URF2013-0028  
DRWN:JWIENER 2012/07/12  
CHKD:SSS 2012/07/12  
APPR:JWIENER 2012/07/13

DESCRIPTION

REV: D2

QUALITY SYMBOLS

GENERAL TOLERANCES (UNLESS SPECIFIED)

	mm	INCH
4 PLACES	± .005	± .0004
3 PLACES	± .003	± .0003
2 PLACES	± .002	± .0002
1 PLACE	± .001	± .0001

ANGULAR ± 2°

DRAFT WHERE APPLICABLE  
MUST REMAIN  
WITHIN DIMENSIONS

DIMENSION STYLE  
MM/IN

DRAWN BY: JM DATE: 2005/07/22

CHECKED BY: JM DATE: 2005/07/22

APPROVED BY: JDW DATE: 2005/07/22

MATERIAL NO. SEE TABLE

SIZE C

SCALE: METRIC

DESIGN UNITS: METRIC

THIRD ANGLE PROJECTION

TITLE: MMCX JACK, R/A, PCB  
50 OHMS  
MMCX-J/PCB EWR-2734

MOLEX INCORPORATED

DOCUMENT NO. SD-73415-100

SHEET NO. 1 OF 1

THIS DRAWING CONTAINS INFORMATION THAT IS PROPRIETARY TO MOLEX INCORPORATED AND SHOULD NOT BE USED WITHOUT WRITTEN PERMISSION