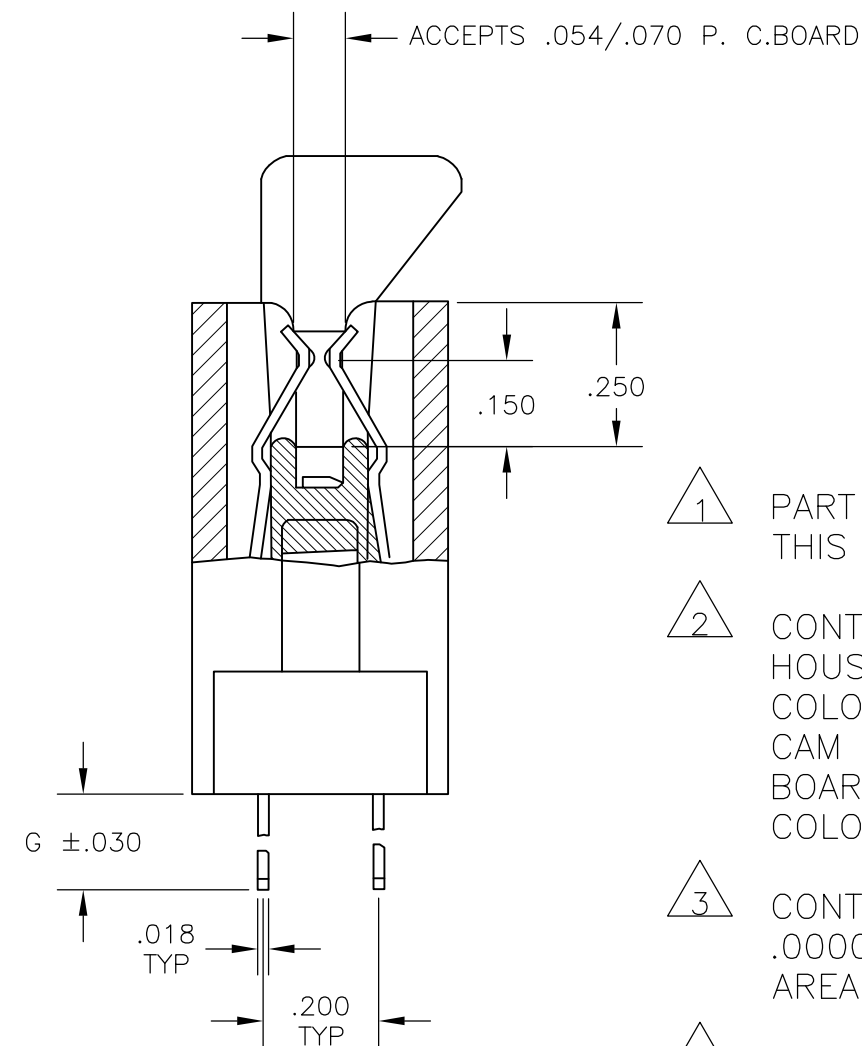
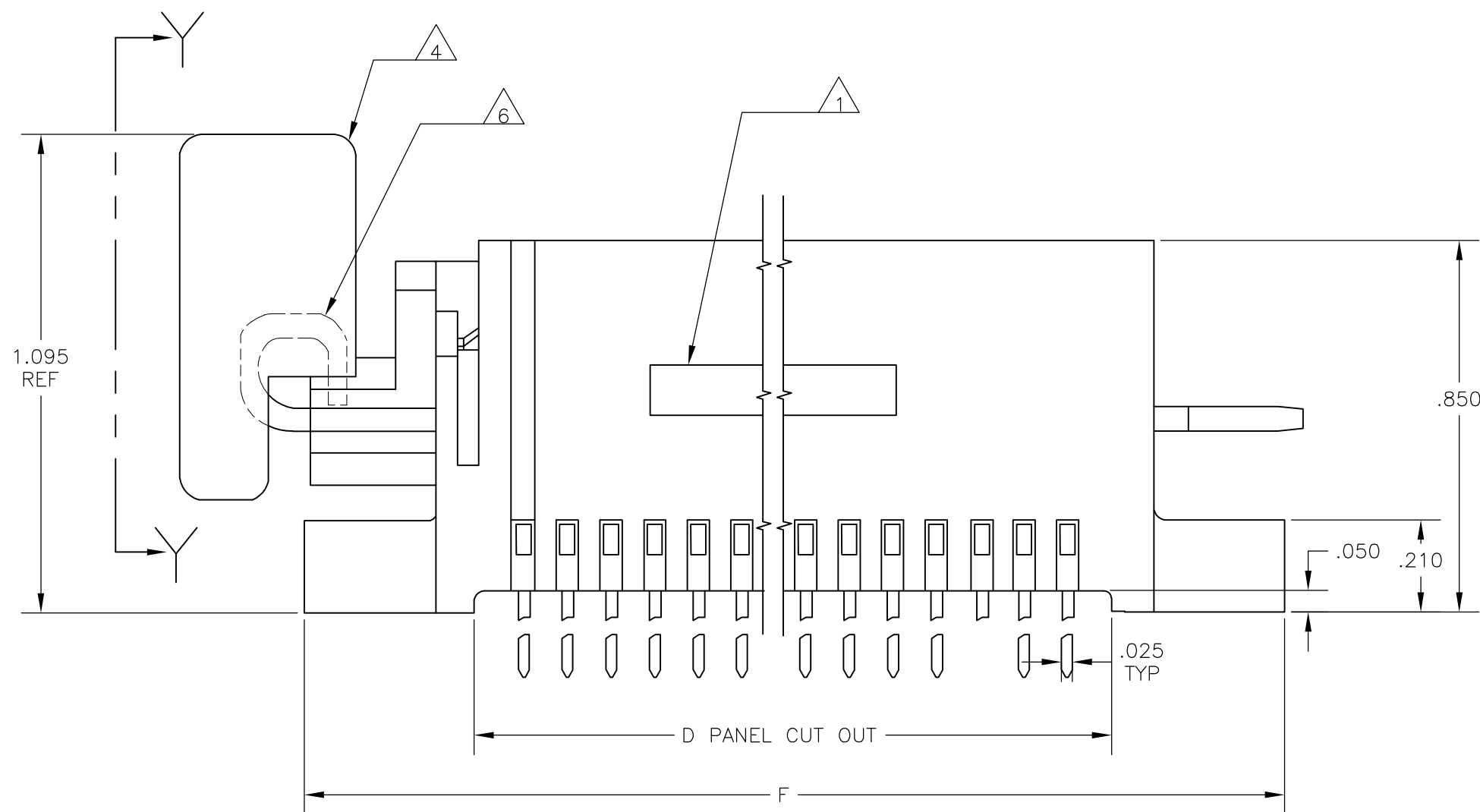
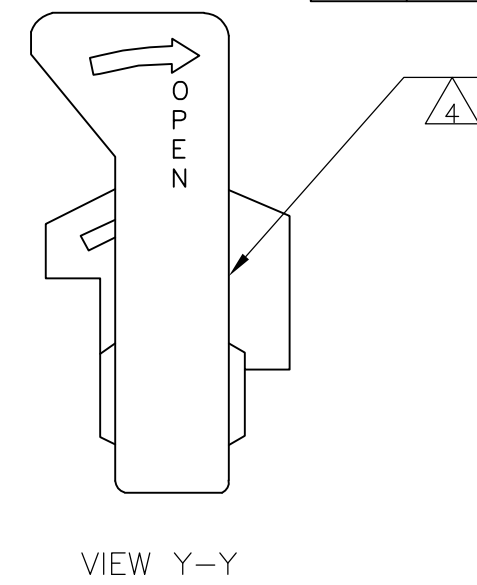
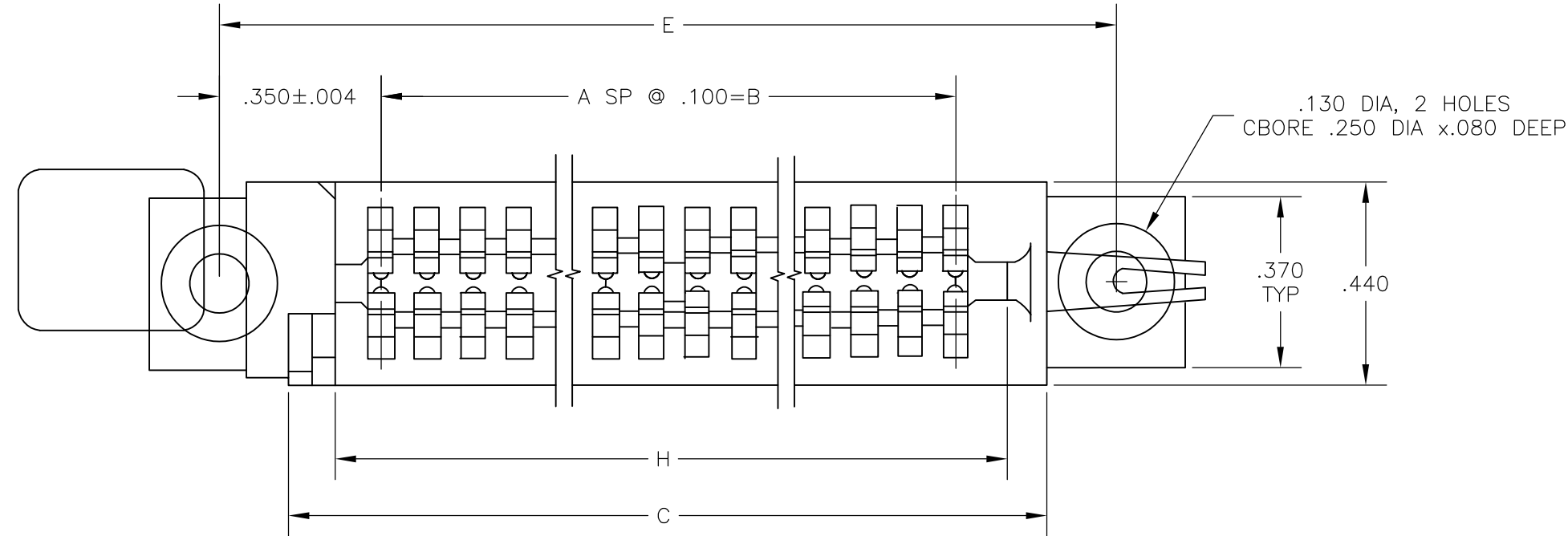
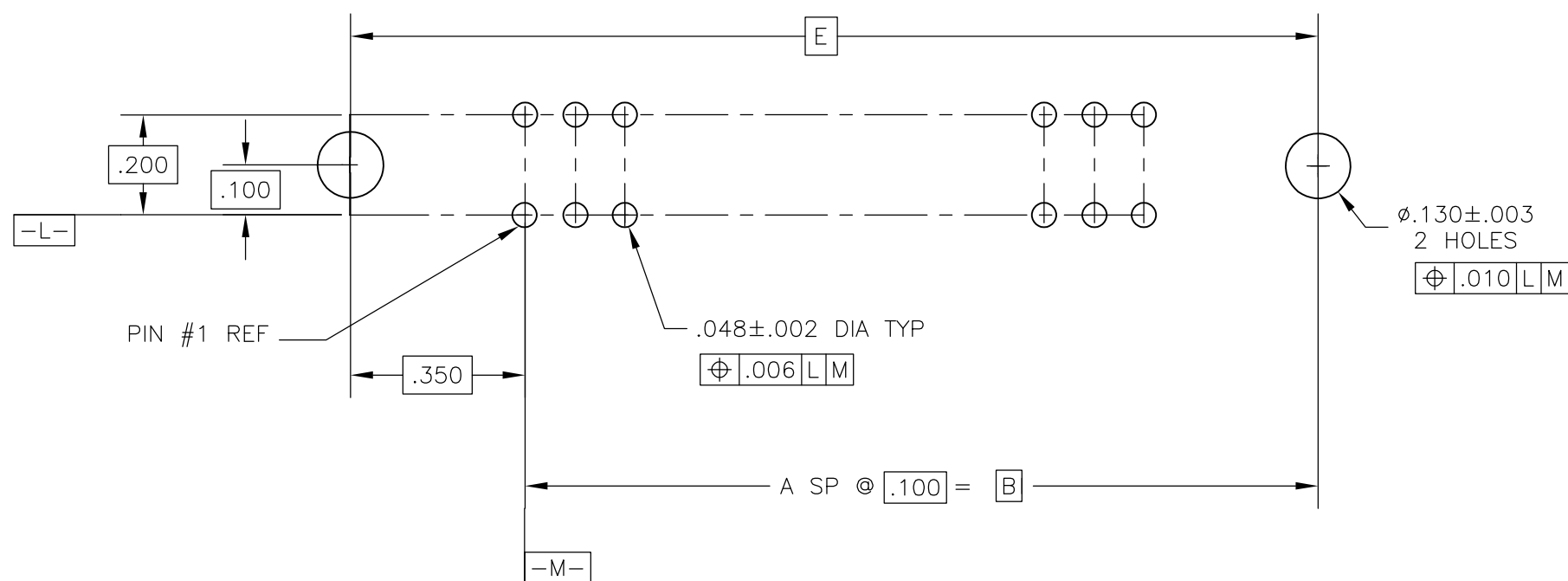


THIS DRAWING IS UNPUBLISHED. RELEASED FOR PUBLICATION
 © COPYRIGHT - By - ALL RIGHTS RESERVED.

LOC		DIST		REVISIONS			
P	LTR	DESCRIPTION	DATE	DWN	APVD		
AD	00	AG4	REVISED PER ECO-13-014046	04SEP2013	KH	RP	



- 1 PART NUMBER AND DATE CODE STAMPED IN THIS AREA ON EITHER SIDE.
- 2 CONTACT: COPPER ALLOY
HOUSING: GLASS FILLED POLYESTER 94 VO, COLOR-BLACK
CAM ROD: STAINLESS STEEL
BOARD LOCK: GLASS FILLED POLYESTER 94 VO, COLOR-YELLOW
- 3 CONTACT: .000050 MIN NICKEL ALL OVER, .000030 GOLD SELECTIVE PLATED IN CONTACT AREA TIN PLATED POST
- 4 CAM ROD AND BOARD LOCK SHIPPED WITH EACH CONNECTOR. ROTATE IN DIRECTION OF ARROW TO OPEN.
- 5 ASSEMBLY DOES NOT INCLUDE CAM ROD OR BOARD LOCK.
- 6 NUT DRIVER STYLE CAM ROD USED WITH PART NUMBER 3-531020-4 ONLY.
- 7 CONTACT: .000050 MIN NICKEL ALL OVER, .000030 GOLD SELECTIVE PLATED IN CONTACT AREA, MATTE TIN PLATED POST
- 8 OBSOLETE PARTS: OBSOLETE CIS STREAMLINING PER D.RENAUD/D.SINISI



RECOMENDED P.C. BOARD LAYOUT


THIS DRAWING IS A CONTROLLED DOCUMENT.		DWN	L.WAREHAM	5-88	 TE Connectivity	NAME		ROTARY ZIF CONNECTOR .100 x.200, SOLDER POST OPEN ONE END							
DIMENSIONS: INCHES		CHK	D.GORENC	5-88		PRODUCT SPEC		SIZE	A2	CAGE CODE	00779	DRAWING NO	C=531020	RESTRICTED TO	
TOLERANCES UNLESS OTHERWISE SPECIFIED:		APVD	D.GORENC	5-88		APPLICATION SPEC		WEIGHT	-	SCALE	3:1	SHEET	1 OF 2	REV	AG4
0 PLC ± - 1 PLC ± - 2 PLC ± - 3 PLC ± .010 4 PLC ± - ANGLES ± - FINISH -		MATERIAL		CUSTOMER DRAWING		SCALE		3:1		SHEET		1 OF 2		REV	AG4

THIS DRAWING IS UNPUBLISHED. RELEASED FOR PUBLICATION
 © COPYRIGHT - By - ALL RIGHTS RESERVED.

LOC	DIST	REVISIONS					
AD	00	P	LTR	DESCRIPTION	DATE	DWN	APVD
		-		SEE SHEET 1	-	-	-

7	4.400	.125	5.200	4.900	4.400	4.600	4.200	42	43/86	8-531020-3	OBSOLETE	8
7	3.700	.125	4.500	4.200	3.700	3.900	3.500	35	36/72	8-531020-2	OBSOLETE	8
7	6.600	0.160	7.400	7.100	6.600	6.800	6.400	64	65/160	8-531020-0	OBSOLETE	8
7	5.100	0.160	5.900	5.600	5.100	5.300	4.900	49	50/100	7-531020-9	OBSOLETE	8
7	4.400	0.160	5.200	4.900	4.400	4.600	4.200	42	43/86	7-531020-8	OBSOLETE	8
7	2.900	0.160	3.700	3.400	2.900	3.100	2.700	27	28/56	7-531020-7	OBSOLETE	8
7	3.200	0.160	4.000	3.700	3.200	3.400	3.000	30	31/62	7-531020-1	OBSOLETE	8
7	6.600	0.160	7.400	7.100	6.600	6.800	6.400	64	65/130	7-531020-0	OBSOLETE	8
7	6.100	0.160	6.900	6.600	6.100	6.300	5.900	59	60/120	6-531020-9	OBSOLETE	8
7	5.100	0.160	5.900	5.600	5.100	5.300	4.900	49	50/100	6-531020-8	OBSOLETE	8
7	4.400	0.160	5.200	4.900	4.400	4.600	4.200	42	43/86	6-531020-7	OBSOLETE	8
7	4.100	0.160	4.900	4.600	4.100	4.300	3.900	39	40/80	6-531020-5	OBSOLETE	8
7	3.700	0.160	4.500	4.200	3.700	3.900	3.500	35	36/72	6-531020-4	OBSOLETE	8
7	2.900	0.160	3.700	3.400	2.900	3.100	2.700	27	28/56	6-531020-3	OBSOLETE	8
7	2.600	0.160	3.400	3.100	2.600	2.800	2.400	24	25/50	6-531020-2	OBSOLETE	8
7	2.300	0.160	3.100	2.800	2.300	2.500	2.100	21	22/44	6-531020-1	OBSOLETE	8
7	6.600	.125	7.400	7.100	6.600	6.800	6.400	64	65/130	6-531020-0	OBSOLETE	8
7	5.100	.125	5.900	5.600	5.100	5.300	4.900	49	50/100	5-531020-8	OBSOLETE	8
7	4.100	.125	4.900	4.600	4.100	4.300	3.900	39	40/80	5-531020-5	OBSOLETE	8
7	2.600	.125	3.400	3.100	2.600	2.800	2.400	24	25/50	5-531020-2	OBSOLETE	8
7	2.300	.125	3.100	2.800	2.300	2.500	2.100	21	22/44	5-531020-1	OBSOLETE	8
	H	G	F	E	D	C	B	A	POSN	PART NUMBER		

6	OBSOLETE	4.100	.125	4.900	4.600	4.100	4.300	3.900	39	40/80	3-531020-4	
5		4.400	.125	5.200	4.900	4.400	4.600	4.200	42	43/86	3-531020-3	
8	OBSOLETE	3.700	.125	4.500	4.200	3.700	3.900	3.500	35	36/72	3-531020-2	
5	OBSOLETE	5.100	.125	5.900	5.600	5.100	5.300	4.900	49	50/100	3-531020-1	
5		6.600	0.160	7.400	7.100	6.600	6.800	6.400	64	65/160	3-531020-0	
5	OBSOLETE	5.100	0.160	5.900	5.600	5.100	5.300	4.900	49	50/100	2-531020-9	
5		4.400	0.160	5.200	4.900	4.400	4.600	4.200	42	43/86	2-531020-8	
5	OBSOLETE	2.900	0.160	3.700	3.400	2.900	3.100	2.700	27	28/56	2-531020-7	
	OBSOLETE	3.200	0.160	4.000	3.700	3.200	3.400	3.000	30	31/62	2-531020-1	
	OBSOLETE	6.600	0.160	7.400	7.100	6.600	6.800	6.400	64	65/130	2-531020-0	
8	OBSOLETE	6.100	0.160	6.900	6.600	6.100	6.300	5.900	59	60/120	1-531020-9	
	OBSOLETE	5.100	0.160	5.900	5.600	5.100	5.300	4.900	49	50/100	1-531020-8	
8	OBSOLETE	4.400	0.160	5.200	4.900	4.400	4.600	4.200	42	43/86	1-531020-7	
	OBSOLETE	4.300	0.160	5.100	4.800	4.300	4.500	4.100	41	42/84	1-531020-6	
	OBSOLETE	4.100	0.160	4.900	4.600	4.100	4.300	3.900	39	40/80	1-531020-5	
	OBSOLETE	3.700	0.160	4.500	4.200	3.700	3.900	3.500	35	36/72	1-531020-4	
8	OBSOLETE	2.900	0.160	3.700	3.400	2.900	3.100	2.700	27	28/56	1-531020-3	
8	OBSOLETE	2.600	0.160	3.400	3.100	2.600	2.800	2.400	24	25/50	1-531020-2	
8	OBSOLETE	2.300	0.160	3.100	2.800	2.300	2.500	2.100	21	22/44	1-531020-1	
8	OBSOLETE	6.600	.125	7.400	7.100	6.600	6.800	6.400	64	65/130	1-531020-0	
	OBSOLETE	6.100	.125	6.900	6.600	6.100	6.300	5.900	59	60/120	531020-9	
	OBSOLETE	5.100	.125	5.900	5.600	5.100	5.300	4.900	49	50/100	531020-8	
	OBSOLETE	4.400	.125	5.200	4.900	4.400	4.600	4.200	42	43/86	531020-7	
	OBSOLETE	4.300	.125	5.100	4.800	4.300	4.500	4.100	41	42/84	531020-6	
8	OBSOLETE	4.100	.125	4.900	4.600	4.100	4.300	3.900	39	40/80	531020-5	
	OBSOLETE	3.700	.125	4.500	4.200	3.700	3.900	3.500	35	36/72	531020-4	
	OBSOLETE	2.900	.125	3.700	3.400	2.900	3.100	2.700	27	28/56	531020-3	
8	OBSOLETE	2.600	.125	3.400	3.100	2.600	2.800	2.400	24	25/50	531020-2	
8	OBSOLETE	2.300	.125	3.100	2.800	2.300	2.500	2.100	21	22/44	531020-1	
	H	G	F	E	D	C	B	A	POSN	PART NUMBER		

THIS DRAWING IS A CONTROLLED DOCUMENT.		DWN	L.WAREHAM	5-88	 TE Connectivity	
DIMENSIONS: INCHES		CHK	D.GORENC	5-88		
TOLERANCES UNLESS OTHERWISE SPECIFIED:		APVD	D.GORENC	5-88		
0 PLC ± - 1 PLC ± - 2 PLC ± - 3 PLC ± .010 4 PLC ± - ANGLES ± - FINISH -		PRODUCT SPEC	-	APPLICATION SPEC		-
MATERIAL	-	WEIGHT	-	SIZE	A2	
CUSTOMER DRAWING		CAGE CODE	00779	DRAWING NO	C=531020	
SCALE		1:1	SHEET	2 of 2	REV	AG4