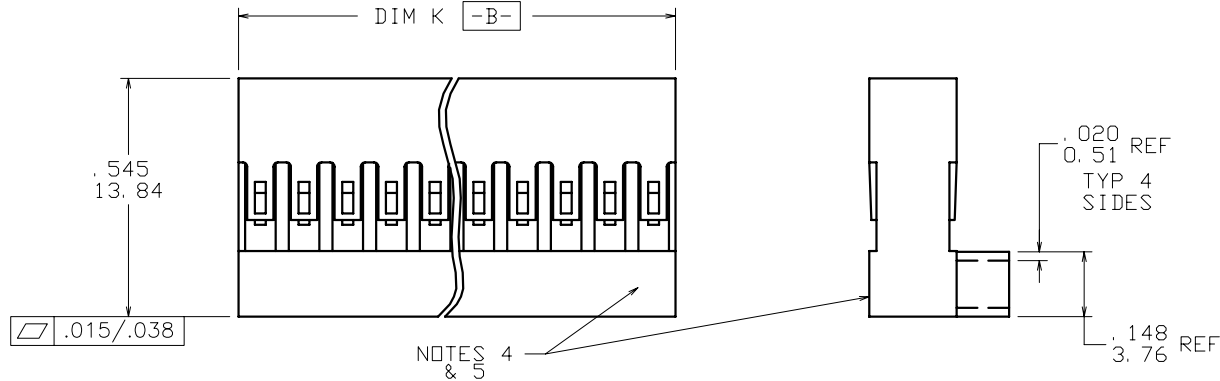


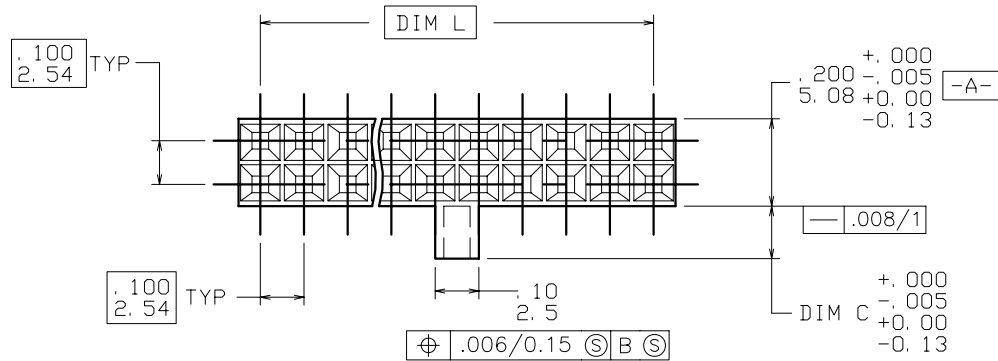
PRODUCT NUMBER
SEE TABLE



NOTES 4 & 5

NOTES:

1. PIN LENGTH TO BE .210/5.33 MIN
RECOMMENDED PIN LENGTH IS
.225±.015/5.72±0.38.
2. MOLDING MATERIAL: MODIFIED
POLYPHENYLENE ETHER
COLOR-BLACK UL 94V-0
3. MAY BE USED WITH PRODUCT LINE
NO. 65268 STYLE M.
4. ALL MARKINGS FOR MILITARY PART
NUMBERS ARE TO BE PER MIL-STD-1285.
SEE TABULATION.
5. PLACE DESC PART NO. AND CAGE NO.
ON PACKAGING LABEL. PRODUCT LENGTH
IS TOO SMALL TO MARK PART.
6. APPLICABLE SPECIFICATIONS:
BUS-12-067: PRODUCT SPECIFICATION
TA-75: CRIMPING INSTRUCTIONS (TERMINALS
MUST BE CRIMPED PROPERLY FOR
SATISFACTORY LATCHING).
TA-531: INSTALLING AND REMOVING TERMINALS
7. PRODUCT MEETS EUROPEAN UNION DIRECTIVES
AND OTHER COUNTRY REGULATIONS AS
DESCRIBED IN GS-22-008.
8. THE PRODUCT IS NOT INTENDED TO BE EXPOSED
TO MANUFACTURING SOLDER PROCESS.
9. EUROPEAN CUSTOMERS SHOULD ORDER PART
NUMBERS WITH AN 'E' SUFFIX AS SHOWN IN TABLE
TO CONTINUE TO BE SUPPLIED BY THE EUROPEAN
PLANT. SEE DRAWING 65846EUR.



mat'l. code SEE NOTE 2				surface ASME Y14.5		tolerance ASME Y14.5		projection		product family PV HOUSINGS	
ltr	ecn no	dr	date	tolerances unless otherwise specified		tolerances unless otherwise specified		INCH/MM		title	
v	VO6-0357	HTB	2006-04-17	angles	XX*01/XX*3		INCH/MM		MINI LATCH HOUSING DOUBLE ROW POLARIZED		
w	VO6-0886	HTB	2006-08-31	flat	XXX*005/XXX*13		scale 2.5:1				
x	VO7-0511	HTB	2007-08-07	0°±2'	XXXX*0020/XXX*051		FCI		dwg no sheet 1 of 3 size		
				dr	T. BREWBAKER	2006-04-17	FCI		65846 A4		
				engr	T. BREWBAKER	2006-04-17					
				chr	T. BREWBAKER	2006-04-17					
				appd	T. BREWBAKER	2006-04-17					
sheet index	revision sheet	x	x	x							
		1	2	3							



PRODUCT NO.	NO. OF POS.	DIM K	DIM L	DIM C	EUROPEAN VERSION-NOTE 9
65846-001LF	2 X 12	1.200/30.48	1.100/27.94	.120/3.05	65846-001ELF
65846-002LF	2 X 15	1.500/38.10	1.400/35.56	.120/3.05	65846-002ELF
65846-003LF	2 X 19	1.900/48.26	1.800/45.72	.120/3.05	65846-003ELF
65846-004LF	2 X 22	2.200/55.88	2.100/53.34	.120/3.05	-
65846-005LF	2 X 27	2.700/68.58	2.600/66.04	.120/3.05	65846-005ELF
65846-006LF	2 X 10	1.000/25.40	.900/22.86	.120/3.05	65846-006ELF
65846-007LF	2 X 7	.700/17.78	.600/15.24	.120/3.05	65846-007ELF
65846-008LF	2 X 9	.900/22.86	.800/20.32	.120/3.05	65846-008ELF
65846-009LF	2 X 32	3.200/81.28	3.100/78.74	.120/3.05	-
65846-010LF	2 X 5	.500/12.70	.400/10.16	.120/3.05	65846-010ELF
65846-011LF	2 X 8	.800/20.32	.700/17.78	.120/3.05	65846-011ELF
65846-012LF	2 X 25	2.500/63.50	2.400/60.96	.120/3.05	65846-012ELF
65846-013LF	2 X 30	3.000/76.20	2.900/73.66	.120/3.05	-
65846-014LF	2 X 2	.200/5.08	.100/2.54	.120/3.05	65846-014ELF
65846-015LF	2 X 3	.300/7.62	.200/5.08	.120/3.05	65846-015ELF
65846-016LF	2 X 4	.400/10.16	.300/7.62	.120/3.05	65846-016ELF
65846-017LF	2 X 6	.600/15.24	.500/12.70	.120/3.05	-
65846-018LF	2 X 11	1.100/27.94	1.000/25.40	.120/3.05	-
65846-019LF	2 X 13	1.300/33.02	1.200/30.48	.120/3.05	-
65846-020LF	2 X 14	1.400/35.58	1.300/33.02	.120/3.05	-
65846-021LF	2 X 16	1.600/40.64	1.500/38.10	.120/3.05	-
65846-022LF	2 X 17	1.700/43.18	1.600/40.64	.120/3.05	-
65846-023LF	2 X 18	1.800/45.72	1.700/43.18	.120/3.05	-
65846-024LF	2 X 20	2.000/50.80	1.900/48.26	.120/3.05	-
65846-025LF	2 X 21	2.100/53.34	2.000/50.80	.120/3.05	-
65846-026LF	2 X 23	2.300/58.42	2.200/55.88	.120/3.05	-
65846-027LF	2 X 24	2.400/60.96	2.300/58.42	.120/3.05	-
65846-028LF	2 X 26	2.600/66.04	2.500/63.50	.120/3.05	-
65846-029LF	2 X 28	2.800/71.12	2.700/68.58	.120/3.05	-
65846-030LF	2 X 29	2.900/73.66	2.800/71.12	.120/3.05	-
65846-031LF	2 X 31	3.100/78.74	3.000/76.20	.120/3.05	-
65846-032LF	2 X 33	3.300/83.82	3.200/81.28	.120/3.05	-
65846-033LF	2 X 34	3.400/86.36	3.300/83.82	.120/3.05	-
65846-034LF	2 X 35	3.500/88.90	3.400/86.36	.120/3.05	-
65846-035LF	2 X 36	3.600/91.44	3.500/88.90	.120/3.05	-
65846-036LF	2 X 3	.300/7.62	.200/5.08	.080/2.03	-

mat'l. code		surface		tolerance		projection		product family	
SEE NOTE 2		ASME Y14.5		ASME Y14.5				PV HOUSINGS	
ltr	ecn no	dr	date	tolerances unless otherwise specified				title	
x				angles	XX*.01/X*.3		INCH/MM		MINI LATCH HOUSING DOUBLE ROW POLARIZED
					XXX*.005/XXX*.13		scale 1:1		
					XXXX*.0020/XXX*.051		dwg no		
		dr	T. BREWBAKER	2006-04-17			sheet 2 of 3		size
		enrg	T. BREWBAKER	2006-04-17			65846		A4
		chr	T. BREWBAKER	2006-04-17			Type		Product Customer Drawing
		appd	T. BREWBAKER	2006-04-17					
sheet index	revision sheet								

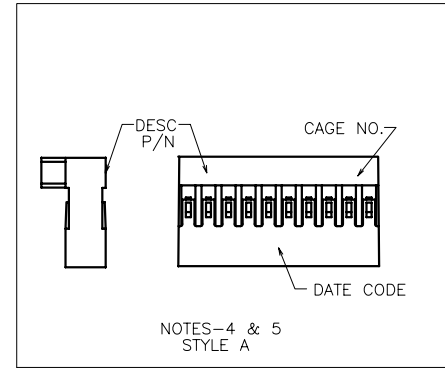
A

A

B

B

MILITARY PRODUCT NO.	MADE FROM	MARKING STYLE	DESC P/N	CAGE NO.
65846-001-MIL		D I S C O N T I N U E D		
65846-002-MIL		D I S C O N T I N U E D		
65846-003-MIL		D I S C O N T I N U E D		
65846-004-MIL		D I S C O N T I N U E D		
65846-005-MIL		D I S C O N T I N U E D		
65846-006-MIL		D I S C O N T I N U E D		
65846-007-MIL		D I S C O N T I N U E D		
65846-008-MIL		D I S C O N T I N U E D		
65846-009-MIL		D I S C O N T I N U E D		
65846-010-MIL		D I S C O N T I N U E D		
65846-011-MIL		D I S C O N T I N U E D		
65846-012-MIL		D I S C O N T I N U E D		
65846-013-MIL		D I S C O N T I N U E D		
65846-014-MIL		D I S C O N T I N U E D		
65846-015-MIL		D I S C O N T I N U E D		
65846-016-MIL		D I S C O N T I N U E D		
65846-017-MIL		D I S C O N T I N U E D		
65846-018-MIL		D I S C O N T I N U E D		
65846-019-MIL		D I S C O N T I N U E D		
65846-020-MIL		D I S C O N T I N U E D		
65846-021-MIL		D I S C O N T I N U E D		
65846-022-MIL		D I S C O N T I N U E D		
65846-023-MIL		D I S C O N T I N U E D		
65846-024-MIL		D I S C O N T I N U E D		
65846-025-MIL		D I S C O N T I N U E D		
65846-026-MIL		D I S C O N T I N U E D		
65846-027-MIL		D I S C O N T I N U E D		
65846-028-MIL		D I S C O N T I N U E D		
65846-029-MIL		D I S C O N T I N U E D		
65846-030-MIL		D I S C O N T I N U E D		
65846-031-MIL		D I S C O N T I N U E D		
65846-032-MIL		D I S C O N T I N U E D		
65846-033-MIL		D I S C O N T I N U E D		
65846-034-MIL		D I S C O N T I N U E D		
65846-035-MIL		D I S C O N T I N U E D		



A

A

mat'l. code		surface		tolerance		projection		product family	
SEE NOTE 2		ASME Y14.5		ASME Y14.5				PV HOUSINGS	
ltr	ecr no	dr	date	tolerances unless otherwise specified		INCH/MM		title	
x				angles	XX+01/X+3			MINI LATCH HOUSING	
					XXX+005/XXX+13			DOUBLE ROW POLARIZED	
				0'±2'	XXXX+0020/XXX+051	scale 1:1		dwg no	
		dr	T. BREWBAKER		2006-04-17			sheet 3 of 3 size	
		engr	T. BREWBAKER		2006-04-17			65846 A4	
		chr	T. BREWBAKER		2006-04-17			type Product Customer Drawing	
		appd	T. BREWBAKER		2006-04-17				
sheet index	revision sheet								

B

B