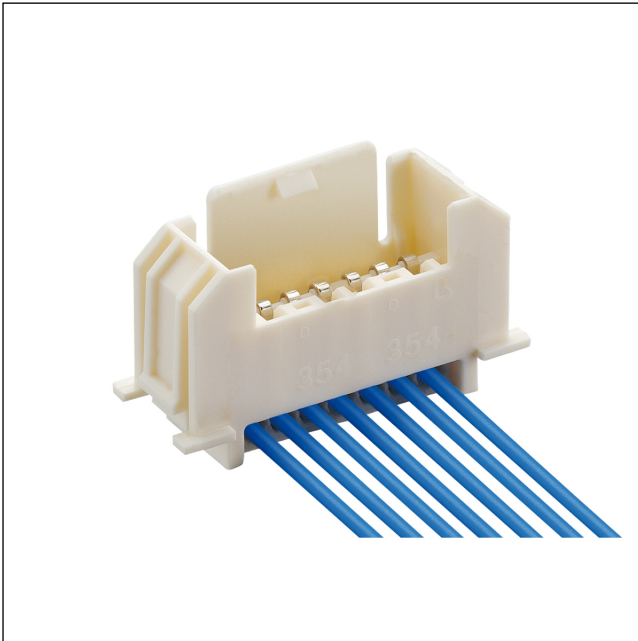


35

3545

RAST 2.5 connectors, pitch 2.5/5.0 mm



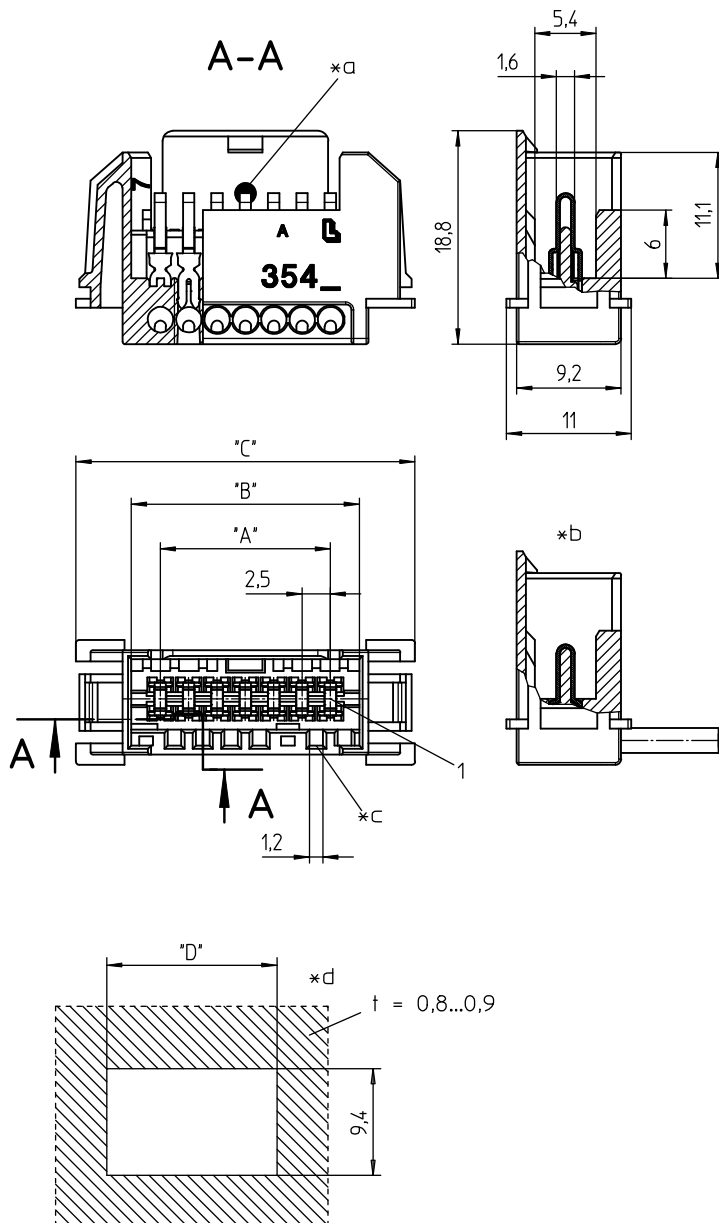
RAST 2.5 chassis pin header, insulation displacement technology (IDT), with locking latch
contact pitch 2.5 mm

State: Active

Approvals:  

35

3545



- *a blue color marking on 3545 (M...)S01
- *b terminated connector
- *c keying
- *d space for customer-specific color marking

Environmental conditions

Temperature range -40 °C/+130 °C¹

¹ upper limit temperature (insulating body) RTI (electrical) of the UL Yellow Card

Materials

Insulating body PA GF, V-0 according to UL94¹

Contact pin CuSn, tin-plated

¹ component glow wire resistant acc. to IEC 60695-2-11 and IEC 60335-1 respectively (GWT 750 °C without flame)

Mechanical data

Keying proposals at www.lumberg.com 

Connectable conductors for IDT area

Construction discrete conductor, notched flat cable 2.5 mm

Section min. 0,22 mm²

Section max. 0,50 mm²

Insulation diameter ≤ 1,65 mm

Approved cables at www.lumberg.com 

Electrical data (at T_{amb} 20 °C)

Rated current 4 A (T_v 60 °C)
2 A (T_v 100 °C)

Rated voltage 32 V AC

Material group IIIa (IEC)/2 (UL) (CTI ≥ 250)

Creepage distance ≥ 0,53 mm

Clearance ≥ 0,53 mm


Insulation resistance > 1 GΩ

Associated products

Counterparts


 3521


 3521-2


 352100

Harnessing equipment

 HA3...e

 HA354e-ST

 HZ354

 KHP3545/46-SW

 VARICON 7000-RD

35

3545

Designation	Pole Number	PU (Pieces)	MDQ (Pieces)	Dimensions			
				A (mm)	B (mm)	C (mm)	D (mm)
3545 02	2	500	1000	2.5	7.6	17.4	15.0
3545 03	3	500	1000	5.0	10.1	19.9	17.5
3545 04	4	500	1000	7.5	12.6	22.4	20.0
3545 05	5	500	1000	10.0	15.1	24.9	22.5
3545 06	6	500	1000	12.5	17.6	27.4	25.0
3545 07	7	500	1000	15.0	20.1	29.9	27.5
3545 08	8	500	1000	17.5	22.6	32.4	30.0
3545 09	9	500	1000	20.0	25.1	34.9	32.5
3545 10	10	500	1000	22.5	27.6	37.4	35.0
3545 11	11	500	1000	25.0	30.1	39.9	37.5
3545 12	12	500	1000	27.5	32.6	42.4	40.0
3545 13	13	500	1000	30.0	35.1	44.9	42.5
3545 14	14	500	1000	32.5	37.6	47.4	45.0
3545 15	15	500	1000	35.0	40.1	49.9	47.5
3545 16	16	500	1000	37.5	42.6	52.4	50.0
3545 17	17	500	1000	40.0	45.1	54.9	52.5
3545 18	18	500	1000	42.5	47.6	57.4	55.0
3545 19	19	500	1000	45.0	50.1	59.9	57.5
3545 20	20	500	1000	47.5	52.6	62.4	60.0

Designation to be completed by further details (e.g. for keying, color or material options).

Packaging:

in bulk, in a cardboard box – in bar stock carriers upon request