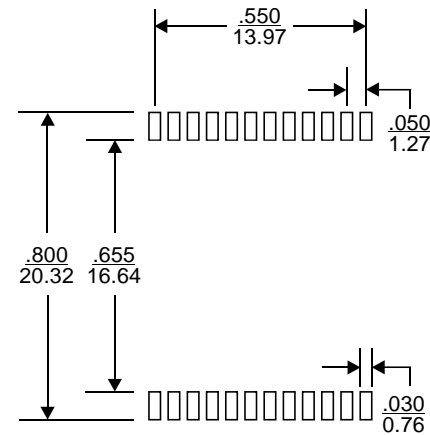
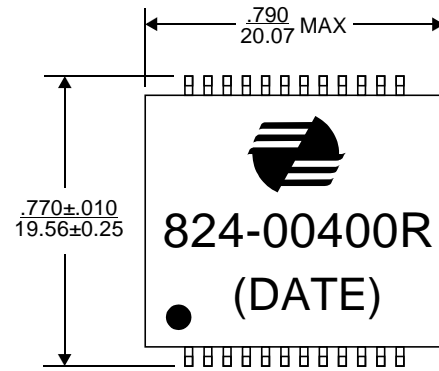


REVISIONS			
REV.	DESCRIPTION	ECN NO.	DATE
01	FIRST RELEASE	N/A	07/12/10

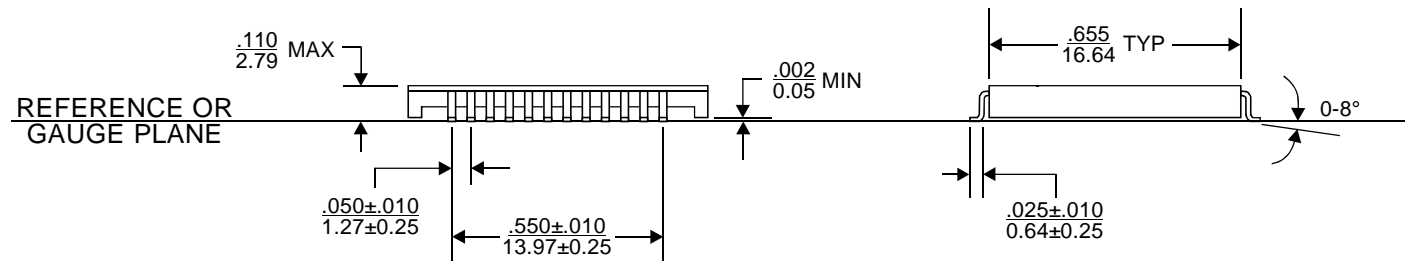
PAGE 4&5 ARE FOR INTERNAL ONLY

PART NUMBER	PART DESCRIPTION	TITLE
824-00400R	RoHS compliant per EU Directive 2002/95/EC	TRANSFORMER, 1000BASE-T, SINGLE, SOIC, 24 PIN

<p><b><u>WARNING !</u></b></p> <p>ALL SHEETS OF THIS DOCUMENT ARE CONTROLLED DOCUMENTATION AND ARE NOT TO BE RELEASED OUTSIDE OF E&amp;E OR ITS SUB-CONTRACTORS WITHOUT AUTHORIZATION.</p>	<p>UNLESS OTHERWISE SPECIFIED, DIMENSIONS ARE IN INCH/mm.</p> <p><u>TOLERANCE ARE:</u></p> <table border="0"> <tr> <td>INCH</td> <td>mm</td> <td>ANGLE</td> </tr> <tr> <td>.XXX ± .005</td> <td>.XX ± 0.13</td> <td>X.X ± 0.3</td> </tr> <tr> <td>.XX ± .02</td> <td>.X ± 0.5</td> <td>X. ± 1</td> </tr> </table>	INCH	mm	ANGLE	.XXX ± .005	.XX ± 0.13	X.X ± 0.3	.XX ± .02	.X ± 0.5	X. ± 1	APPROVALS	DATE	 <p>E &amp; E Magnetic Products Ltd.</p>
		INCH	mm	ANGLE									
		.XXX ± .005	.XX ± 0.13	X.X ± 0.3									
		.XX ± .02	.X ± 0.5	X. ± 1									
		DRAWN BY	Y.L. YUNG	07/12/10	DRAWING NO./MODEL	REV							
PROJ. ENG	D. YUNG	07/12/10											
APPROVED BY	V. TSUI	07/12/10	824-00400R	01									
Q.A.	C.M. TSUI	07/12/10											
SCALE		PAGE 1 OF 5		DO NOT SCALE									



Recommended Pad Layout



1. Dimensions are specified in  $\frac{\text{inches}}{\text{mm}}$  with higher precedence in inches.
2. Unless otherwise specified, all tolerances are  $\pm \frac{.010}{0.25}$ .
3. Coplanarity:  $\frac{.004}{0.10}$  max.
4. "(DATE)" includes at least the manufacturing date code (in YYWW format) plus two character country code.
5. Dimensions are to be measured in accordance with JEDEC standard 95-1.

## MECHANICAL OUTLINE



E & E Magnetic Products Ltd.

DRAWING NO./MODEL

824-00400R

REV

01

SCALE

DO NOT SCALE

PAGE

2

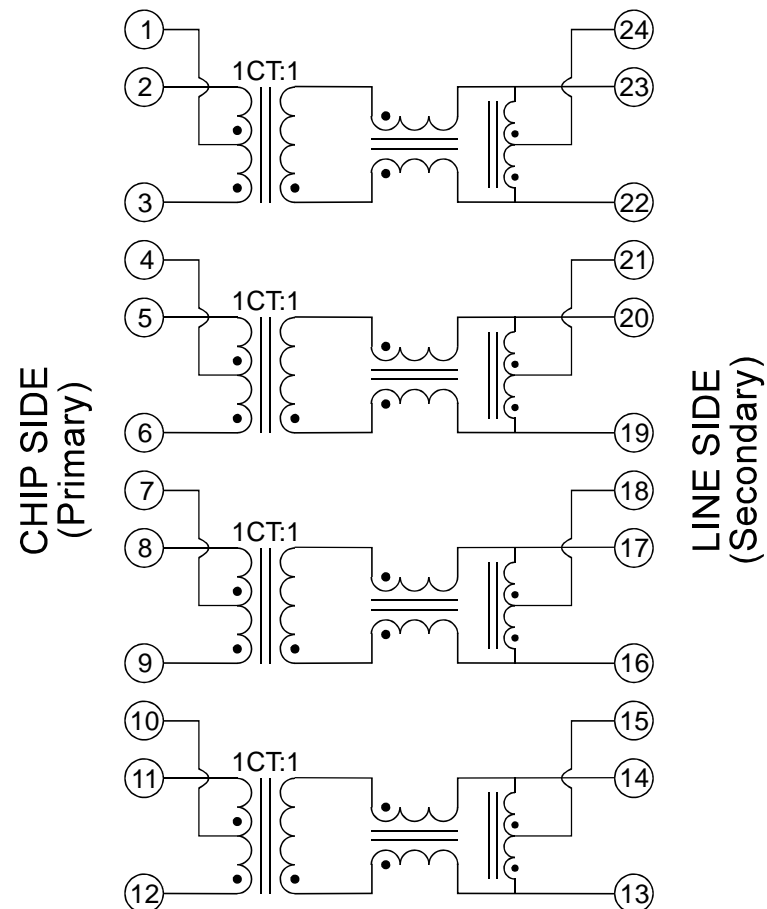
OF

5


**ELECTRICAL SPECIFICATION @25°C:**

PARAMETERS	UNIT	EACH CHANNEL
Turns Ratio (Primary):(Secondary)	-	1CT:1 ± 2%
Polarity (Primary):(Secondary)	-	Per Schematic
Inductance, Ls (Primary) @100KHz, 0.1Vrms	uH	350 Min
Insertion Loss @0.3-100MHz	dB	1.0 Max
Return Loss @0.5-40MHz	dB	18 Min
Return Loss @40-60MHz	dB	15 Min
Return Loss @60-80MHz	dB	12 Min
Return Loss @80-100MHz	dB	10 Min
CMRR @0.3-32MHz	dB	42 Min
CMRR @32-100MHz	dB	33 Min
Crosstalk @0.3-100MHz, between channels	dB	35 Min
Hipot (Primary):(Secondary)	Vrms	1500 Min

6. Operating temperature : 0°C to +70°C.



**SCHEMATIC**

 <b>E &amp; E Magnetic Products Ltd.</b>		
DRAWING NO./MODEL		REV
<b>824-00400R</b>		<b>01</b>
SCALE	PAGE	OF
<b>DO NOT SCALE</b>	<b>3</b>	<b>5</b>