

DIMENSIONS					
POSITION	A ±0.20	B $\pm\frac{0.20}{-0.08}$	C ±0.25	D ±0.25	E ±0.25
36	6	7.65	9.15	25.00	27.00
64	20	21.65	23.15	39.00	41.00
98	37	38.65	40.15	56.00	58.00
164	70	71.65	73.15	89.00	91.00

NOTES:

- MATERIAL:
 - HOUSING: THERMOPLASTIC, HIGH TEMP, UL94V-0, COLOR: BLACK.
 - CONTACTS: COPPER ALLOY.
 - HOLDDOWN: COPPER ALLOY.
- FINISH:
 - CONTACT:
 - SELECTIVE GOLD PLATING ON CONTACT AREA.
 - 100μ" MIN. MATTE TIN PLATING ON SOLDER TAILS,
 - 50μ" MIN. NICKEL UNDERPLATING OVERALL.
 - HOLDDOWN:
 - 100μ" MIN. MATTE TIN PLATING WITH 50μ" MIN. NICKEL UNDERPLATE OVERALL.

PART NO.

3113 - 1 X X X

PCI EXPRESS Series No. _____

HSG Color _____

1: Black

Contact Plating _____

0: 30μ", Gold

1: 15μ", Gold

2: 1μ", Gold

POS. Options _____

0: 36 Pin

1: 64 Pin

2: 98 Pin

3: 164 Pin

Packing Options

T: Tray Without Cap

C: Tray With Cap

N: Tray With Mylar

R: Tape & Reel Packaging Without Cap (For 36 & 64P)

P: Tape & Reel Packaging With Cap (For 36 & 64P)

M: Tape & Reel Packaging With Mylar (For 36 & 64P)

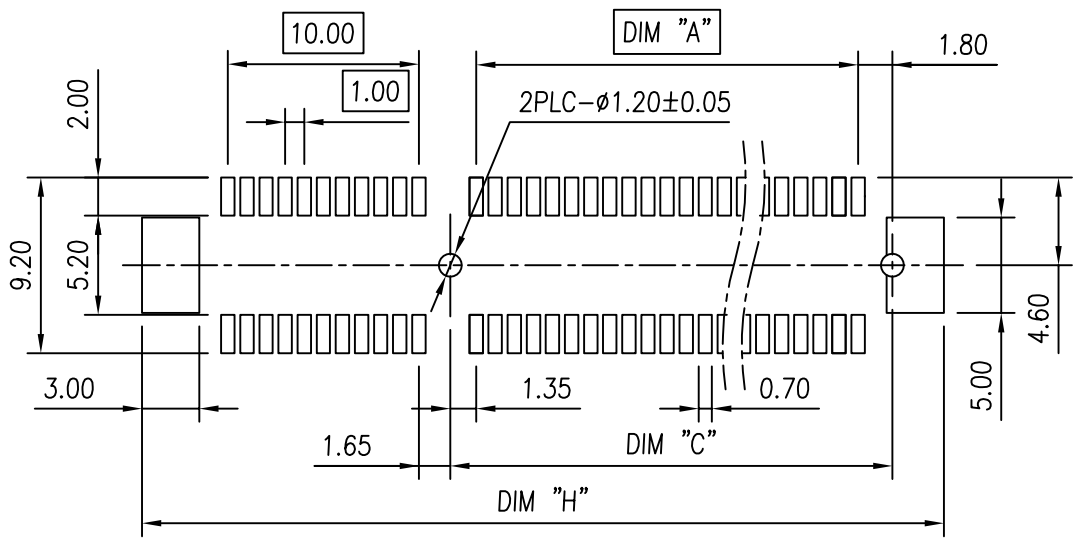
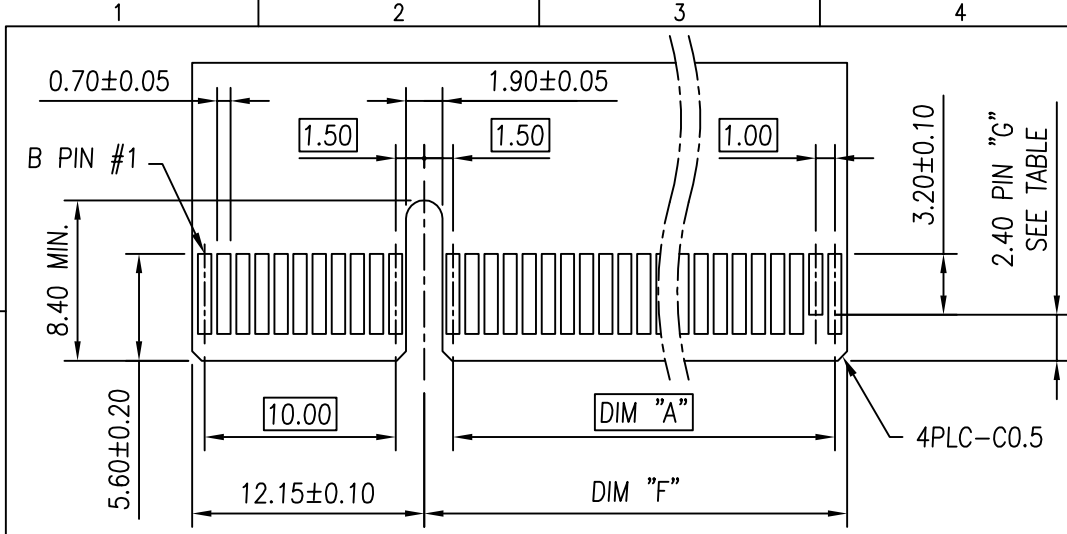
TOLERANCE	
LINEAR	ANGLES
X.±0.40	X'±
.X±0.30	.X'±
.XX±0.20	.XX'±
.XXX±0.10	.XXX'±

UMax conn 东莞市友贸实业有限公司
DONGGUAN UMAXCONN ENTERPRISE LIMITED

TITLE: PCI EXPRESS SMT TYPE WITH POST			
PART NO. 3113-1XXX		DWG NO. 311307001	
UNITS	SCALE	SHEET	REV
MM	1 : 1	1 OF 2	B

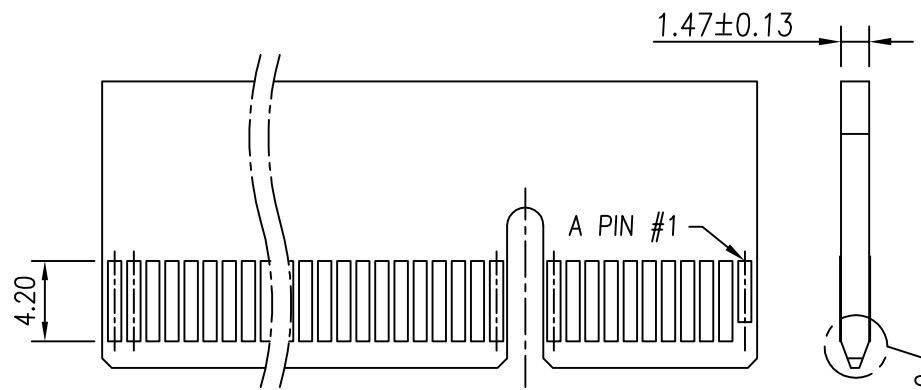
REV	ECN NO.	NAME	DATE
B	11059	Terry	Oct,06,2011
A	09038	Terry	Aug,13,2009

APPD: Jason	MAT'L:
CHKD: Schumi	FINISH:
DRWN: Terry	Q'TY:

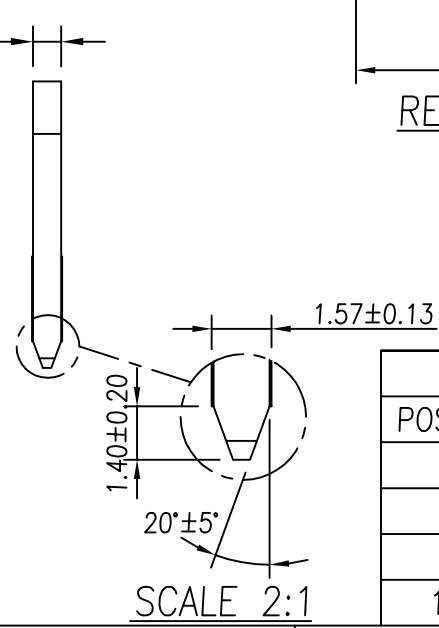


I/O PANEL DIRECTION
PRIMARY (COMPONENT) SIDE

RECOMMENDED PCB LAYOUT, POST TYPE



I/O PANEL DIRECTION
SECONDARY (SOLDER) SIDE
ADD-IN CARD EDGE-FINGER DIMENSIONS



DIMENSIONS					
POSITION	A ±0.10	F ±0.10	C ±0.10	G	H ±0.10
36	6	8.15	9.15	B PIN#17	28.00
64	20	22.15	23.15	B PIN#31	42.00
98	37	39.15	40.15	B PIN#48	59.00
164	70	72.15	73.15	B PIN#81	92.00

				TOLERANCE				TITLE:			
				LINEAR	ANGLES			PCI EXPRESS SMT TYPE WITH POST			
				X.±	X'±			PART NO. 3113-1XXX			
				.X±	.X'±			DWG NO. 311307001			
	See Sheet 1			.XX±	.XX'±	APPD: Jason	MAT'L:				
REV	ECN NO.	NAME	DATE	.XXX±	.XXX'±	CHKD: Schumi	FINISH:				
						DRWN: Terry	Q'TY:				

UMax conn 东莞市友贸实业有限公司
DONGGUAN UMAXCONN ENTERPRISE LIMITED

UNITS: MM SCALE: 1:1 SHEET: 2 OF 2 REV: B

CUSTOMER