

High Frequency Data Line Filter P/N F-1516

50 mil Surface Mount Package

Low Profile 50 mil 16 Pin
Transfer Molded Package
Gullwing SMD

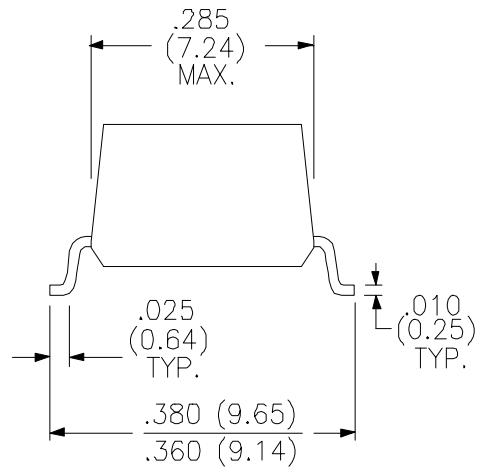
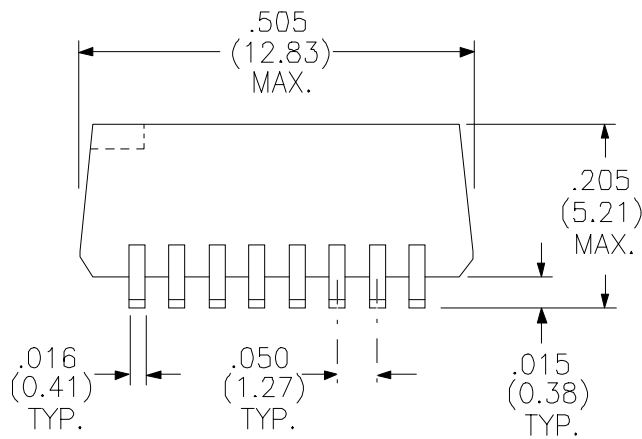
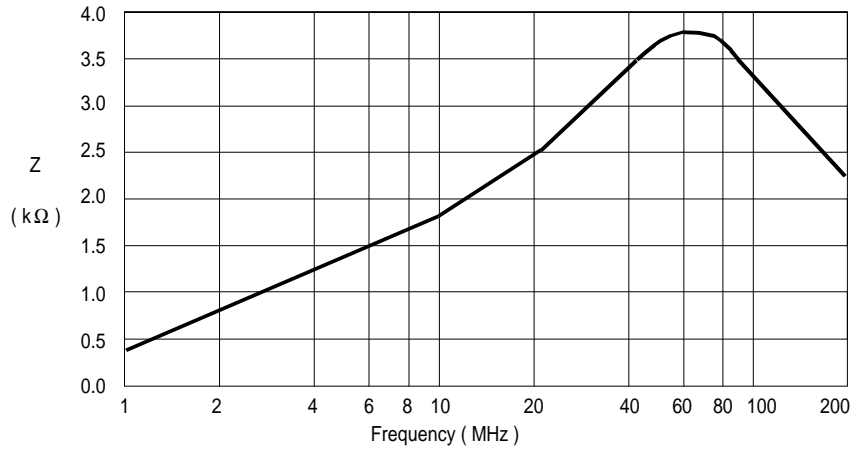
Filter Common &
Differential Mode Noise

Frequency Range 1 - 200 MHz

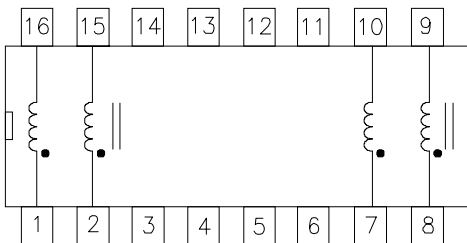
EMI / RFI Suppression

500 V_{RMS} Isolation

P/N F-1506 Typical Impedance Plot



Schematic Diagram



**TAPE AND REEL
AVAILABLE**