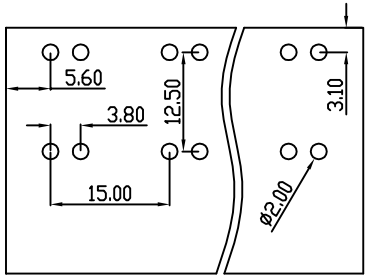
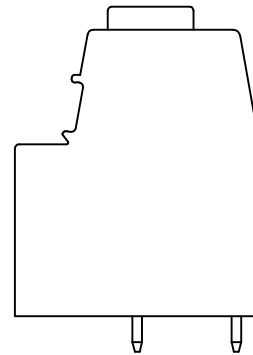
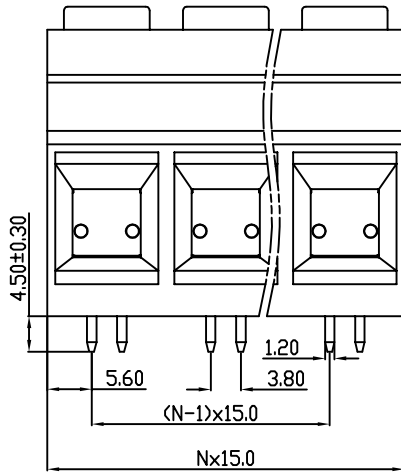
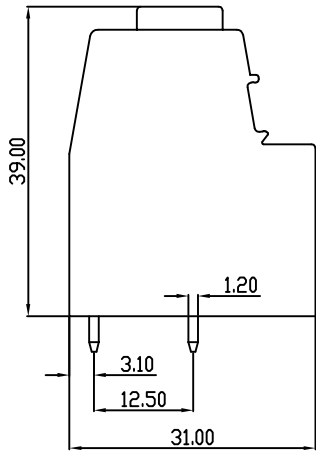
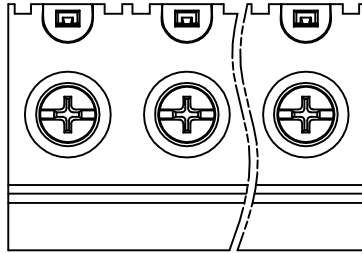


linear dimension(Tolerances Standard GB/T 14486-2008)								—	∕	⊥
variable range	to	over	over	over	over	over	over	to	to	to
	6	6 to 10	10 to 30	30 to 60	60 to 100	100 to 160	160 to			
tolerance	±0.20	±0.30	±0.50	±0.70	±1.00	±1.30	±1.60	0.10	0.30	0.60



PCB Layout



DB137 — 15.0 — XXP — C — S/P  
 (Series No.) (Pitch) (Poles) Slotted/Phillips  
 (Color) : 1.(Green) 2.(Black) 3.(Blue) 4.(Clear) 5.(Gray)  
 6.(Orange) 7.(Red) 8.(White) 9.(Yellow)

APPD: JTING Chen 2022.4.10  
 CHKD: Duck Mao 2022.4.10  
 DRFT: Steven Lu 2022.4.10

UL/CUL 技术参数		UL/CUL Technical Data		
等级	Use Group	B	C	D
额定电压	Rated Voltage [V]	600	-	600
额定电流	Rated Current [A]	115	-	5
接线范围	Wire Range	20-2		
单/多芯线	Solid/Stranded [AWG]			
耐电压	Withstanding Voltage	2200V/1Min		
IEC 技术参数		IEC Technical Data		
过电压类别	Overvoltage Category	III	III	II
污染等级	Contamination Class	3	2	2
额定电压	Rated Voltage [V]	1000	1000	1000
额定电流	Rated Current [A]	125	125	125
额定冲击电压	Impulse withstand voltagea [KV]	8	8	8
导线截面积	Conductor cross section	35		
硬质/柔性导线	Solid/flexible [mm²]			
材料		Material		
绝缘材料	Insulation Material	PA66		
阻燃等级	Imflamability	UL94V-0		
导体材料	Contact Material	铜合金 Copper alloy		
导体表面镀层	Contactive Coating	镀锡 Sn Plated		
一般参数		Other Data		
间距	Pitch [mm]	15.0		
极数	Poles [P]	02~10		
剥线长度	Stripping Length [mm]	17-18		
螺丝	Screw/扭矩 Torque(Max) [N.m]	M5/2.0		
工作温度	Operating temperatur [°C]	-40~+105		
引针尺寸	Pin Dimensions [mm]	1.20x1.20		
PCB板孔径	PCB Hole Diameter [mm]	2.00		

**DORABO**

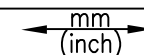
宁波地博电气有限公司  
 Ningbo Dorabo Electric CO., Ltd

NAME:

DB137-15.0-XXP-C-P



SIZE: A4



REV T0-1

TYPE: CUSTOMER\_DRAWING

SCALE: 1:1

SHEET 1/1