

EPA1155-X

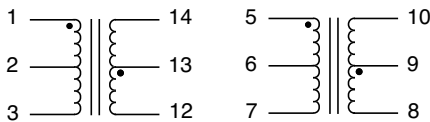
- Meets CCITT 1.430 Four Wire "S" Interface
- Dual Low Profile Packages
- Hipot : 2000 Vrms

Electrical Parameters @ 25° C

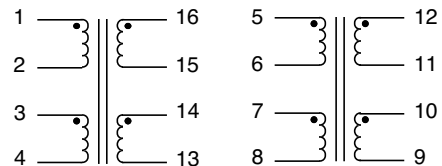
PCA Part Number	I.C. Manufacturer Part Number	Function	OCL (mH Min.)	Interwinding Capacitance (pF Max.)	Leakage Inductance (μH Max.)	Turns Ratio (± 5%)	DCR (Ω Max.)		Package & Schematic
EPA1155-6	---	---	22	100	5	1:1	2.50	2.50	A
EPA1155-7	---	---	22	100	8	1:2	2.50	4.50	A
EPA1155-8	---	---	22	100	30	1:2	2.50	5.00	A
EPA1155-11	AMD 79C30A	Xmit & Rvc	22	100	5	1:1	2.75	2.75	B
EPA1155-13	---	---	22	100	15	1:2	2.88	5.00	B

• Longitudinal Balance : -60 dB Min. @ 10 KHz - 300 KHz •

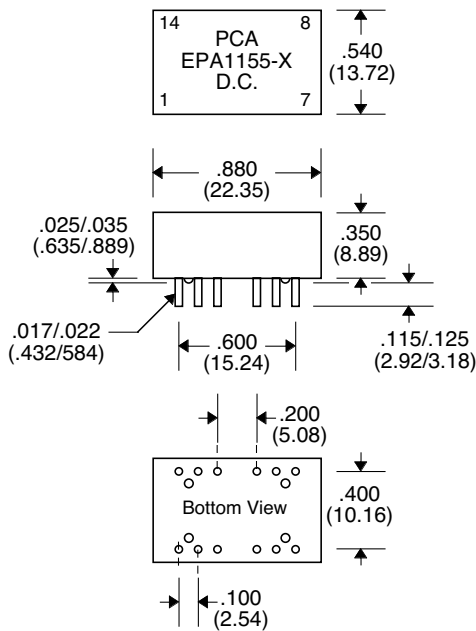
Schematic A



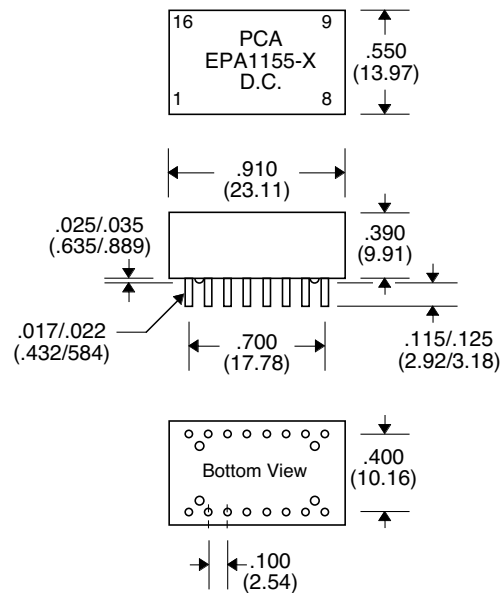
Schematic B



Package A



Package B



Unless Otherwise Specified Dimensions are in Inches /mm ±.010 /.25