

High Directivity Monolithic Amplifier

NEW!

VNA-23

50Ω 0.5 to 2.5 GHz

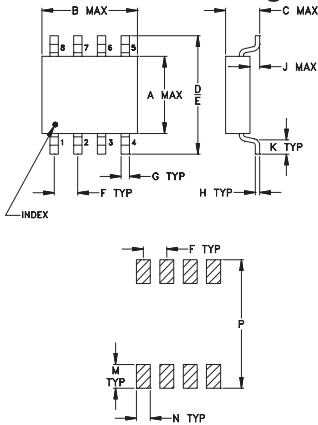
Maximum Ratings

Operating Temperature	-40°C to 85°C
Storage Temperature	-55°C to 150°C
DC Voltage	8V
Power	400mW
Input Power (no damage)	10 dBm

Pin Connections

RF IN	3
RF OUT	6
DC	1
GND EXT.	2,4,5,7,8

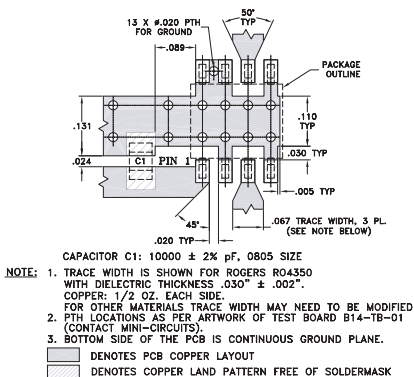
Outline Drawing



Outline Dimensions (inch/mm)

A	B	C	D	E	F	G	H
.163	.202	.077	.250	.220	.050	.017	.009
4.14	5.13	1.96	6.35	5.59	1.27	0.43	0.23
J	K	L	M	N	P	wt.	
.025	.030	—	.050	.030	.270	grams	
0.64	0.76	—	1.27	0.76	6.86	.10	

Demo Board MCL P/N: TB-01 Suggested PCB Layout (PL-077)



Features

- 3V & 5V operation
- no external biasing circuit required
- high directivity, 18 dB typ.
- wide bandwidth, 0.5 to 2.5 GHz
- low noise figure, 5 dB typ.
- output power, up to +10 dBm typ.
- low cost

Applications

- buffer amplifier
- cellular
- PCN



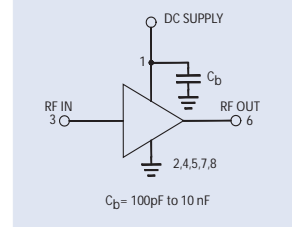
CASE STYLE: XX211
PRICE: \$1.90 ea. QTY. (25)

Electrical Specifications (T_{AMB}=25°C)

FREQ. (GHz)	DC VOLTS (V)	GAIN (dB) Typical						MAXIMUM POWER (dBm) Output 1 dB Comp. Typ.	DYNAMIC RANGE		VSWR* (:1) Typ.		DIRECTIVITY (dB) (isolation-gain) Typ.	DC OPERATING CURRENT at Pin 3 (mA)		THERMAL RESISTANCE θ _{jc} Typ. °C/W
		0.5	1.0	1.5	2.0	2.5	Min. at 2 GHz		NF (dB) Typ. at 1 GHz	IP3 (dBm) Typ.	In	Out		Typ.	Typ.	
0.5-2.5	5.0 2.8	15.1 14.6	18.6 17.6	18.3 17.1	16.9 15.9	14.6 13.9	15.4 —	10 8.5	4.7 4.7	21 19	1.5 1.5	1.3 1.5	15-20 14-21	32 29	45 —	110

*VSWR above .75 GHz

biasing configuration



Typical Performance Data at 25°C

Frequency (MHz)	Gain (dB)		Pout (dBm) (@1dB COMP)		N.F. (dB)		VSWR IN		VSWR OUT	
	2.8V	5.0V	2.8V	5.0V	2.8V	5.0V	2.8V	5.0V	2.8V	5.0V
500.00	14.88	15.33	10.38	11.94	4.55	4.52	3.99	4.01	1.27	1.34
750.00	17.51	18.19	10.28	11.58	4.59	4.57	2.03	2.05	1.53	1.57
1000.00	18.00	18.90	9.59	10.42	4.84	4.74	1.73	1.69	1.65	1.67
1300.00	17.71	18.83	8.95	9.86	4.51	4.52	1.96	1.91	1.62	1.62
1500.00	17.36	18.48	8.69	9.49	4.45	4.42	2.09	2.05	1.56	1.53
1800.00	16.51	17.65	8.42	9.44	4.69	4.80	1.94	1.91	1.45	1.38
2000.00	16.02	17.08	8.59	9.60	4.75	4.82	1.69	1.65	1.39	1.28
2100.00	15.74	16.78	8.67	9.57	4.74	4.81	1.54	1.51	1.36	1.23
2300.00	14.97	15.92	8.95	9.92	4.80	4.97	1.22	1.22	1.32	1.13
2500.00	14.14	14.94	9.13	10.05	4.77	4.77	1.06	1.09	1.33	1.06

