



TNC Male Right Angle to N Male Low Loss Cable Using PE-P142LL Coax, RoHS

RF Cable Assemblies Technical Data Sheet

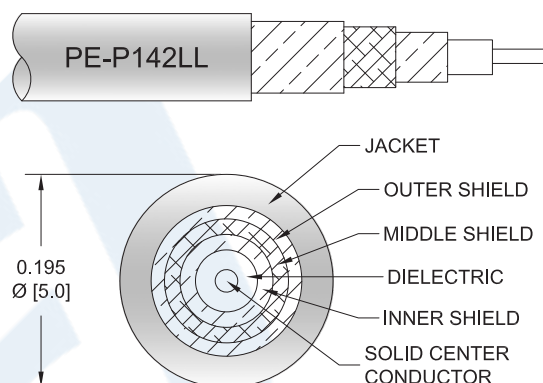
PE3C1041

Configuration

- Connector 1: TNC Male Right Angle
- Connector 2: N Male
- Cable Type: PE-P142LL

Features

- 83% Velocity of Propagation
- Shielding effectiveness > 95 dB
- Maximum VSWR < 1.50:1 to 18 GHz
- Minimum Bend Radius of 1 inch
- Operating Temperature range of -55 to +125°C
- ROHS and REACH Compliant
- Same day shipment of custom lengths
- 100% Continuity, Hi-Pot, and RF tested



Description

The PE3C1041 series high performance test cable's 0.195 inch diameter and 83% phase velocity offer very low loss performance up to 18 GHz. The durable stainless steel connectors and FEP jacket provide a cost effective design ideal for test environments where a rugged cable assembly is required. The series is offered with Type N, TNC, and SMA connectors all rated to 18 GHz. A heavy duty boot provides improved strain relief and adds to the durability of the cable assemblies. These cable assemblies are built using a double shielded flexible cable, providing excellent shielding effectiveness of greater than 95 dB. All PE3C1041 cable assemblies are 100% Continuity, Hi-POT, and RF tested to published specifications. Custom lengths are built to order and shipped same day.

Electrical Specifications

Description	Minimum	Typical	Maximum	Units
Frequency Range	DC		18	GHz
VSWR			1.5:1	
Return Loss	13.98			dB
Velocity of Propagation		83		%
RF Shielding	95			dB
Capacitance		25 [82.02]		pF/ft [pF/m]

Click the following link (or enter part number in "SEARCH" on website) to obtain additional part information including price, inventory and certifications: [TNC Male Right Angle to N Male Low Loss Cable Using PE-P142LL Coax, RoHS PE3C1041](#)



TNC Male Right Angle to N Male Low Loss Cable Using PE-P142LL Coax, RoHS

RF Cable Assemblies Technical Data Sheet

PE3C1041

Specifications by Frequency

Description	F1	F2	F3	F4	F5	Units
Frequency	1	2	4.5	9	18	GHz
Insertion Loss (Max.)	0.1	0.14	0.2	0.29	0.4	dB/ft
	[0.33]	[0.46]	[0.66]	[0.95]	[1.31]	[dB/m]
Insertion Loss (Typ.)	0.07	0.1	0.16	0.23	0.33	dB/ft
	[0.23]	[0.33]	[0.52]	[0.75]	[1.08]	[dB/m]

Electrical Specification Notes:

Insertion Loss does not include the loss of the connectors. Insertion Loss is estimated as 0.05dB x vFrequency (GHz) per connector.

Mechanical Specifications

Cable Assembly

Diameter 0.875 in [22.23 mm]
 Weight 0.188 lbs [85.28 g]

Cable

Cable Type PE-P142LL
 Impedance 50 Ohms
 Inner Conductor Type Solid
 Inner Conductor Material and Plating Copper, Silver
 Dielectric Type PTFE
 Number of Shields 3
 Shield Layer 1 Silver Plated Copper Tape
 Shield Layer 2 Aluminum Polyester
 Shield Layer 3 Silver Plated Copper Wire
 Jacket Material FEP, Green
 Jacket Diameter 0.195 in [4.95 mm]
 One Time Minimum Bend Radius 1 in [25.4 mm]

Click the following link (or enter part number in "SEARCH" on website) to obtain additional part information including price, inventory and certifications: [TNC Male Right Angle to N Male Low Loss Cable Using PE-P142LL Coax, RoHS PE3C1041](#)





TNC Male Right Angle to N Male Low Loss
Cable Using PE-P142LL Coax, RoHS

RF Cable Assemblies Technical Data Sheet

PE3C1041

Connectors

Description	Connector 1	Connector 2
Type	TNC Male Right Angle	N Male
Specification	MIL-STD-348	
Impedance	50 Ohms	50 Ohms
Contact Material and Plating	Beryllium Copper, Gold	Beryllium Copper, Gold
Contact Plating Specification	ASTM-B488, 50µ in. minimum	ASTM-B488, 50µ in. minimum
Dielectric Type	PTFE	PTFE
Coupling Nut Material and Plating	Passivated Stainless Steel	Passivated Stainless Steel
Coupling Nut Plating Specification	SAE-AMS-2701	SAE-AMS-2700
Hex Size	9/16 Inch	3/4 Inch
Torque	12 in-lbs [1.36 Nm]	12 in-lbs [1.36 Nm]
Body Material and Plating	Passivated Stainless Steel	Passivated Stainless Steel
Body Plating Specification	SAE-AMS-2701	

Environmental Specifications

Temperature

Operating Range -55 to +125 deg C

Compliance Certifications (visit www.Pasternack.com for current document)

RoHS Compliant Yes
REACH Compliant 12/17/2015

Plotted and Other Data

Notes:

- Values at 25°C, sea level.

Click the following link (or enter part number in "SEARCH" on website) to obtain additional part information including price, inventory and certifications: [TNC Male Right Angle to N Male Low Loss Cable Using PE-P142LL Coax, RoHS PE3C1041](#)





TNC Male Right Angle to N Male Low Loss
Cable Using PE-P142LL Coax, RoHS

RF Cable Assemblies Technical Data Sheet

PE3C1041

How to Order

Part Number Configuration:

PE3C1041

- **xx**

uu

Unit of Measure:
cm = Centimeters
<blank> = Inches
Length
Base Number

Example: PE3C1041-12 = 12 inches long cable
PE3C1041-100cm = 100 cm long cable

TNC Male Right Angle to N Male Low Loss Cable Using PE-P142LL Coax, RoHS from Pasternack Enterprises has same day shipment for domestic and International orders. Our RF, microwave and millimeter wave products maintain a 99% availability and are part of the broadest selection in the industry.

Click the following link (or enter part number in "SEARCH" on website) to obtain additional part information including price, inventory and certifications: [TNC Male Right Angle to N Male Low Loss Cable Using PE-P142LL Coax, RoHS PE3C1041](https://www.pasternack.com/tnc-male-n-male-pe-p142ll-cable-assembly-pe3c1041-p.aspx)

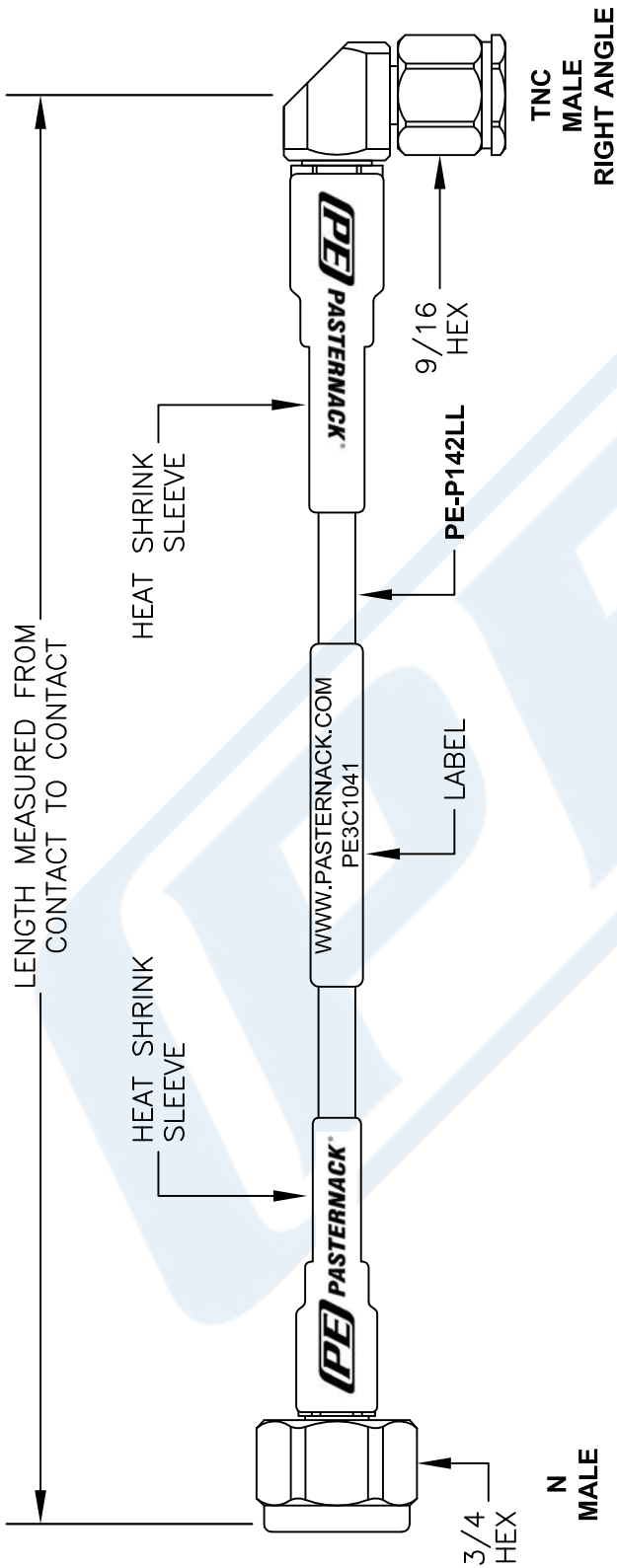
URL: <https://www.pasternack.com/tnc-male-n-male-pe-p142ll-cable-assembly-pe3c1041-p.aspx>

The information contained in this document is accurate to the best of our knowledge and representative of the part described herein. It may be necessary to make modifications to the part and/or the documentation of the part, in order to implement improvements. Pasternack reserves the right to make such changes as required. Unless otherwise stated, all specifications are nominal. Pasternack does not make any representation or warranty regarding the suitability of the part described herein for any particular purpose, and Pasternack does not assume any liability arising out of the use of any part or documentation.



PE3C1041 CAD Drawing

TNC Male Right Angle to N Male Low Loss Cable Using PE-P142LL Coax, RoHS



NOTE:
LABEL FOR CABLE LENGTHS 48" OR SHORTER TO BE CENTERED. 48" OR LONGER WILL BE 12" AWAY FROM CONNECTOR.

Part Number Configuration		How To Order	
PE3zzzz	[Y] - [xx] [uu]	Part # Ext.	Length In Inches
LF = RoHS Compliant	[CM = Centimeters]	-12	12"
< Blank > = Standard	< Blank > = Inches	-24	24"
Note: LF applies only to RF cables	Length	-36	36"
		-48	48"
		-60	60"
		-xx	Custom Length
		Part # Ext.	Length In Centimeters
		-25CM	25Cm
		-50CM	50Cm
		-75CM	75Cm
		-100CM	100Cm
		-125CM	125Cm
		-xxCM	Custom Length

NOTES:
1. UNLESS OTHERWISE SPECIFIED ALL DIMENSIONS ARE NOMINAL.
2. ALL SPECIFICATIONS ARE SUBJECT TO CHANGE WITHOUT NOTICE AT ANY TIME.
3. DIMENSIONS ARE IN INCHES [mm].
4. LENGTH TOLERANCE IS ± 1.5% OR 3/8", WHICHEVER IS GREATER.

DWG TITLE
PE3C1041

FSCM NO. 53919

CAD FILE 100914

SCALE N/A

SIZE A

150

PE PASTERNAK
THE ENGINEER'S RF SOURCE

Pasternack Enterprises, Inc.
P.O. Box 16759 | Irvine | CA | 92623

Phone: (949) 261-1920 | Fax: (949) 261-7451
Website: www.pasternack.com | E-Mail: sales@pasternack.com