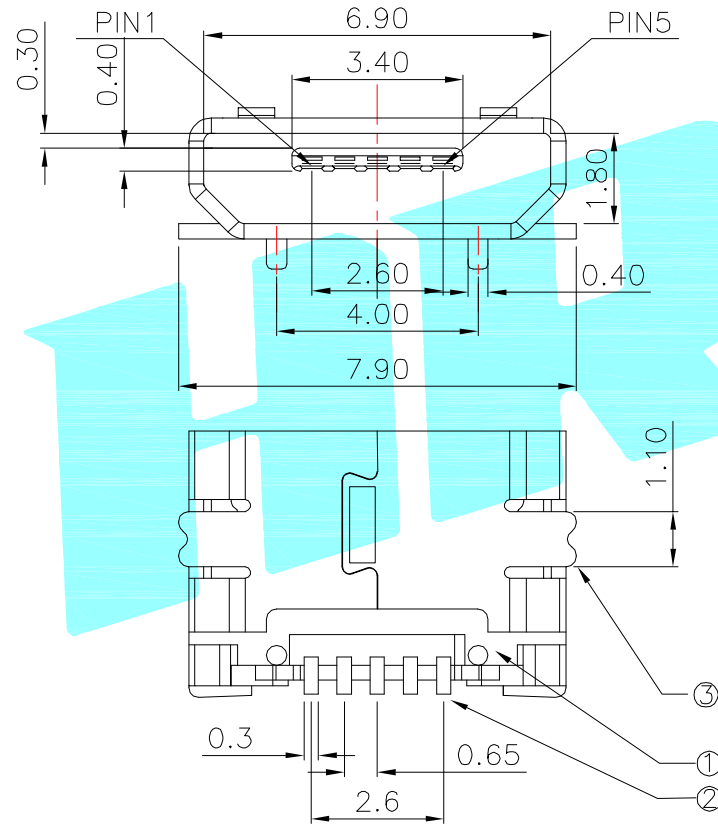
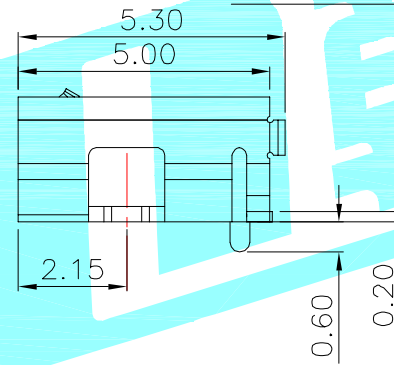


Recommended PCB Layout



SPECIFICATIONS

- 1.RATING: DC30V 1.0A
- 2.MECHANICAL LIFE: 5,000 CYCLES.
- 3.PACKAGING: 1000PCS/REEL

③	Shell	—	1	Phosphor Bronze	Ag Plated	—
②	Contact	—	5	Phosphor Bronze	Au Plated	—
①	Housing	—	1	LCP	Black	—
ITEM	PART NAME	TER'NO.	QTY.	MATERIAL	FINISHING	REMARK

APPROVALS			DATE		 ELECTRONICS CO.,LTD												
DRAWN	JKUN.LU	2015/6/17		TITLE:			USB CONNECTOR										
CHECKED				PART NO.	U-F-M5SS-W-5												
APPROVALS				TOLERANCES ARE	<table border="1"> <tr> <td>30~以上</td> <td>±0.30</td> <td rowspan="4">ANGLE</td> <td rowspan="4">UNIT: mm</td> <td rowspan="4">SCALE: 1:1</td> <td rowspan="4">PROJ: </td> </tr> <tr> <td>10~30</td> <td>±0.25</td> </tr> <tr> <td>5~10</td> <td>±0.20</td> </tr> <tr> <td>~ 5</td> <td>±0.15</td> </tr> </table>	30~以上	±0.30	ANGLE	UNIT: mm	SCALE: 1:1	PROJ:	10~30	±0.25	5~10	±0.20	~ 5	±0.15
30~以上	±0.30	ANGLE	UNIT: mm	SCALE: 1:1	PROJ:												
10~30	±0.25																
5~10	±0.20																
~ 5	±0.15																
ECN NO.	REV.	DATE.	DESCRIPTION.	CHANGE.	CHECK.	APPRO.	DRAWING NO.	SHEET 1 OF 1									

—	A	—	NEW	—	—	—
ECN NO.	REV.	DATE.	DESCRIPTION.	CHANGE.	CHECK.	APPRO.