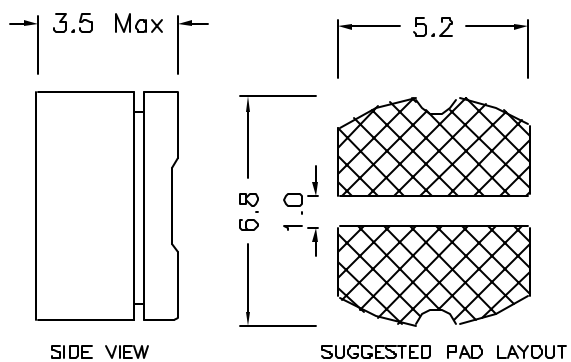
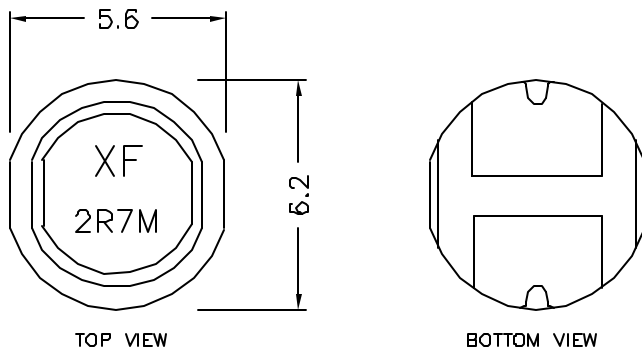


### 1. Dimensions:



### 2. Schematic:



### 3. Electrical Specs:

OCL: 2.7uH±20% @100KHz, 0.1V

DCR: 18.3 mOhms Typ

DC Current: 2.691Adc Max

#### Notes:

1. Solderability: Leads shall meet MIL-STD-202, Method 208D for solderability.
2. Flammability: UL94V-0
3. ASTM oxygen index: > 28%
4. Temperature rating: 155°C. UL file E151556
5. Operating Temperature Range: -20°C to +90°C

DOC. REV: A/1

<b>XFMRs Inc</b>		Title: <b>SMD Inductor</b>	
UNLESS OTHERWISE SPECIFIED TOLERANCES: .xx ±0.010 Dimensions in MM		P/N: XFSDR63SH-2R7M    REV A	
		DWN.	廖玉坤    Mar-06-02
		CHK.	李清儿    Mar-06-02
Scale 2.5:1 SHT 1 OF 1	APP.	Isaiah M	Mar-06-02