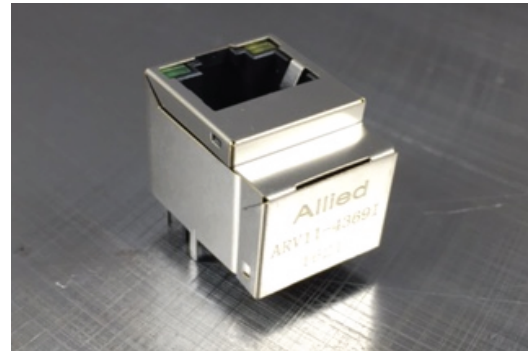


Single Port Vertical Mount RJ45

ARV11-4369I

- 10/100 BaseT for Networking, LAN and other Ethernet applications
- Compliant to IEEE802.3
- Industrial Temp: -40°C to +85°C



Electrical Specifications @ 25°C

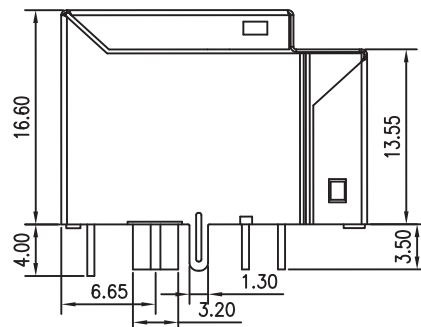
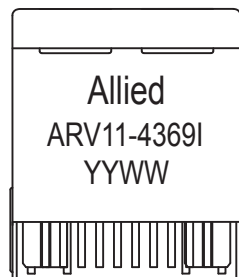
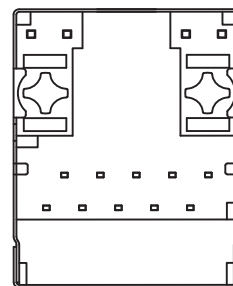
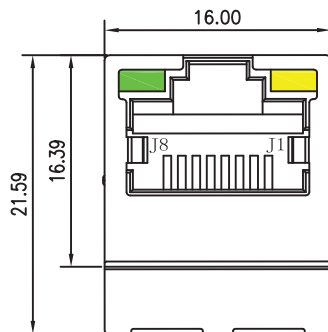
Part Number	OCL(μH Min) @ 100kHz, 0.1V With 8mA DC Bias	Turns Ratio chip: cable (±2%)	Cross Talk (dB Min)			Insertion Loss (dB Max) 1~100MHz
			1-30MHz	30-60MHz	60-100MHz	
ARV11-4369I	350	1CT:1CT	-40	-35	-30	-1.0

Electrical Specifications @ 25°C

Part Number	Common Mode Rejection (dB Max)		Return Loss (dB Min)			Hi-Pot Test Min 1500Vrms
	1-50MHz	50-150MHz	1-30MHz	30-60MHz	60-100MHz	
ARV11-4369I	-30	-20	-18	-15	-12	1500Vrms

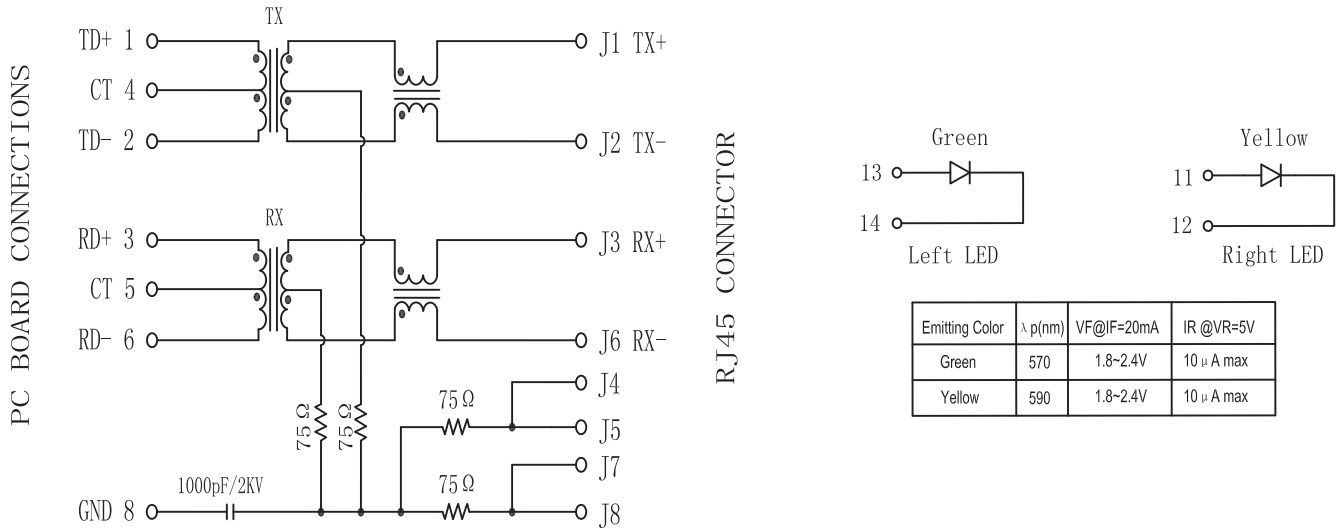
All specifications subject to change without notice.

MECHANICAL

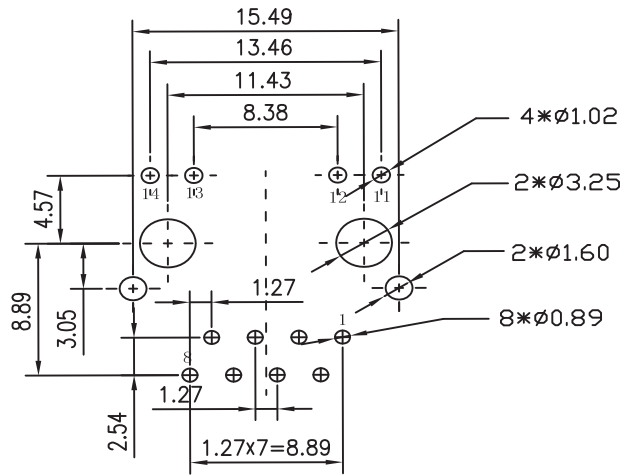




**SCHEMATICS**



**PCB LAYOUT**



**NOTES**

- Connector Materials:  
 Housing Material:Thermoplastic PBT+30%G.F UL94V-0  
 Contact Material:Phosphor Bonze C5210R-EH Thickness=0.35mm  
 Pins:Brass C2680R-H Thickness=0.35mm  
 Shield:Copper alloy Brass H65Y Thickness=0.2mm  
 Contact plating: Gold 6 micro-inches min.In contact area.
- Wave solder tip temperature: 265°C Max, 5 Sec Max