

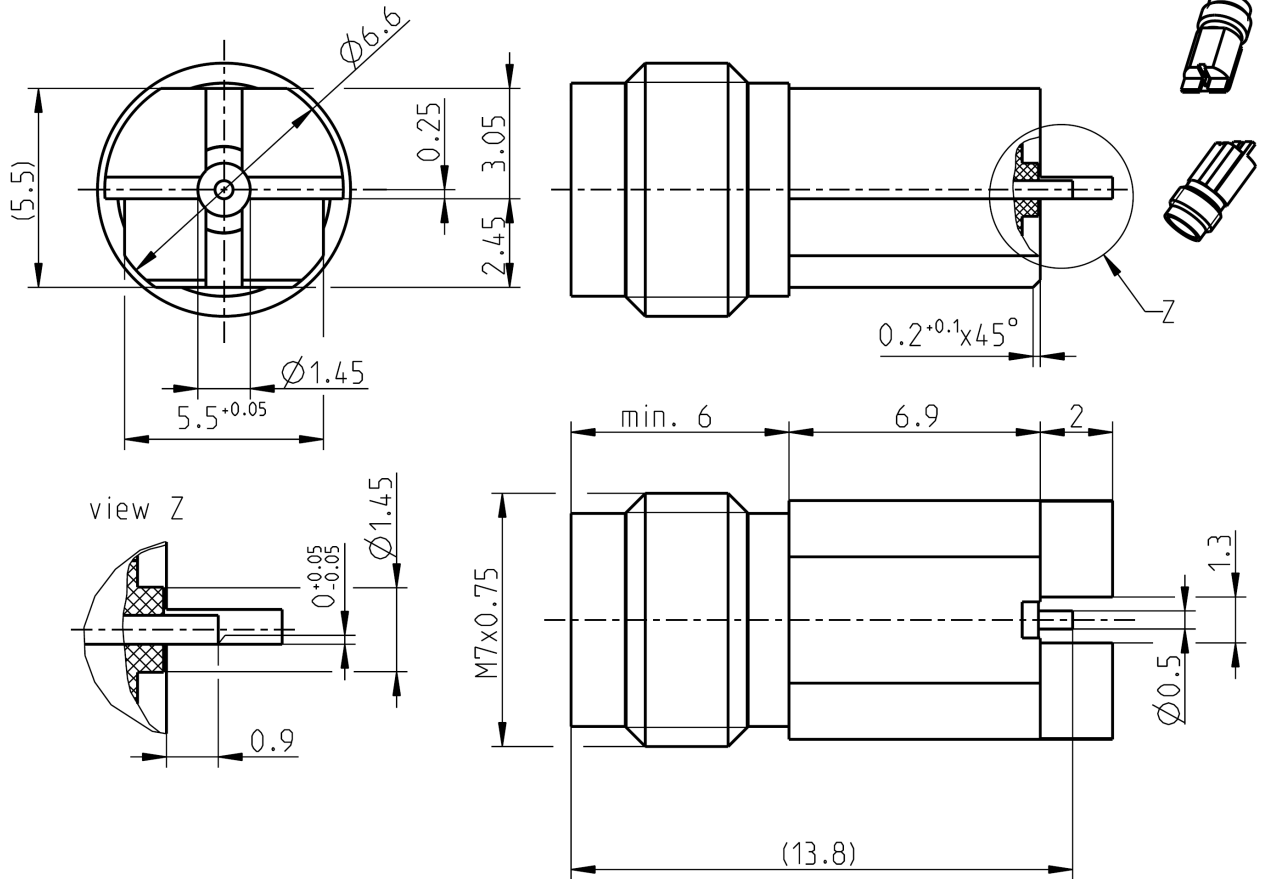
Technical Data Sheet

Rosenberger

RPC-2.40

RIGHT ANGLE JACK PCB

09K246-40ML5



All dimensions are in mm; tolerances according to ISO 2768 m-H

Interface

According to IEC 61169-40
Mechanically compatible with RPC-1.85

Documents

PCB layout B 390

Material and plating

Connector parts

Center contact
Outer contact
Dielectric 1
Dielectric 2

Material

CuBe
Brass
PEEK
PTFE

Plating

AuroDur®, gold plated
AuroDur®, gold plated

Technical Data Sheet

Rosenberger

RPC-2.40

RIGHT ANGLE JACK PCB

09K246-40ML5

Electrical data

Impedance	50 Ω
Frequency	DC to 50 GHz
Return loss	≥ 12 dB, DC to 50 GHz
Insertion loss	≤ 0.05 x $\sqrt{f(\text{GHz})}$ dB
Insulation resistance	≥ 5 GΩ
Center contact resistance	≤ 4.0 mΩ
Outer contact resistance	≤ 2.5 mΩ
Test voltage	500 V rms
Working voltage	150 V rms
RF-leakage	≥ 100 dB up to 1 GHz

- Connector only, VSWR in application depends decisive on PCB layout -

Mechanical data

Mating cycles	≥ 500
Center contact captivation	≥ 20 N
Coupling test torque	1.65 Nm
Recommended torque	0.80 Nm to 1.10 Nm

Environmental data

Temperature range	-40°C to +85°C
Thermal shock	IEC 61169-1, Subclause 9.4.4
Corrosion	IEC 61169-1, Subclause 9.4.6
Vibration	IEC 61169-1, Subclause 9.3.3
Shock	IEC 61169-1, Subclause 9.3.14
Moisture resistance	IEC 61169-1, Subclause 9.4.3
Max. soldering temperature	IEC 61760-1, +260°C for 10 sec.

2002/95/EC (RoHS) compliant

Tooling

N/A

Suitable cables

N/A

Packing

Standard	100 pcs in blister, B0100B
Weight	2.72 g/pce

While the information has been carefully compiled to the best of our knowledge, nothing is intended as representation or warranty on our part and no statement herein shall be construed as recommendation to infringe existing patents. In the effort to improve our products, we reserve the right to make changes judged to be necessary.

Draft	Date	Approved	Date	Rev.	Engineering change number	Name	Date
Martin Moder	15/09/10	Herbert Babinger	11/04/12	a00	12-s169	Maik Knoll	11/04/12

Rosenberger Hochfrequenztechnik GmbH & Co. KG P.O.Box 1260 D-84526 Tittmoning Germany www.rosenberger.de	Tel. : +49 8684 18-0 Fax : +49 8684 18-499 Email : info@rosenberger.de	Page 2 / 2
--	---	---------------