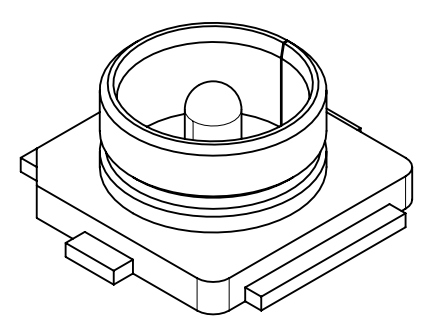


MATERIAL AND FINISHES:

BASE: LCP E6808 UHF
 CONTACT: BRASS
 C2680 (t=0.15)
 PLATED: GOLD (0.03 MICROMETER MINIMUM) OVER
 NICKEL (1~4 MICROMETER)
 OUTER CONTACT: PHOSPHOR BRONZE
 C5191 (t=0.15)
 PLATED: GOLD (0.03 MICROMETER MINIMUM) OVER
 NICKEL (1~4 MICROMETER)

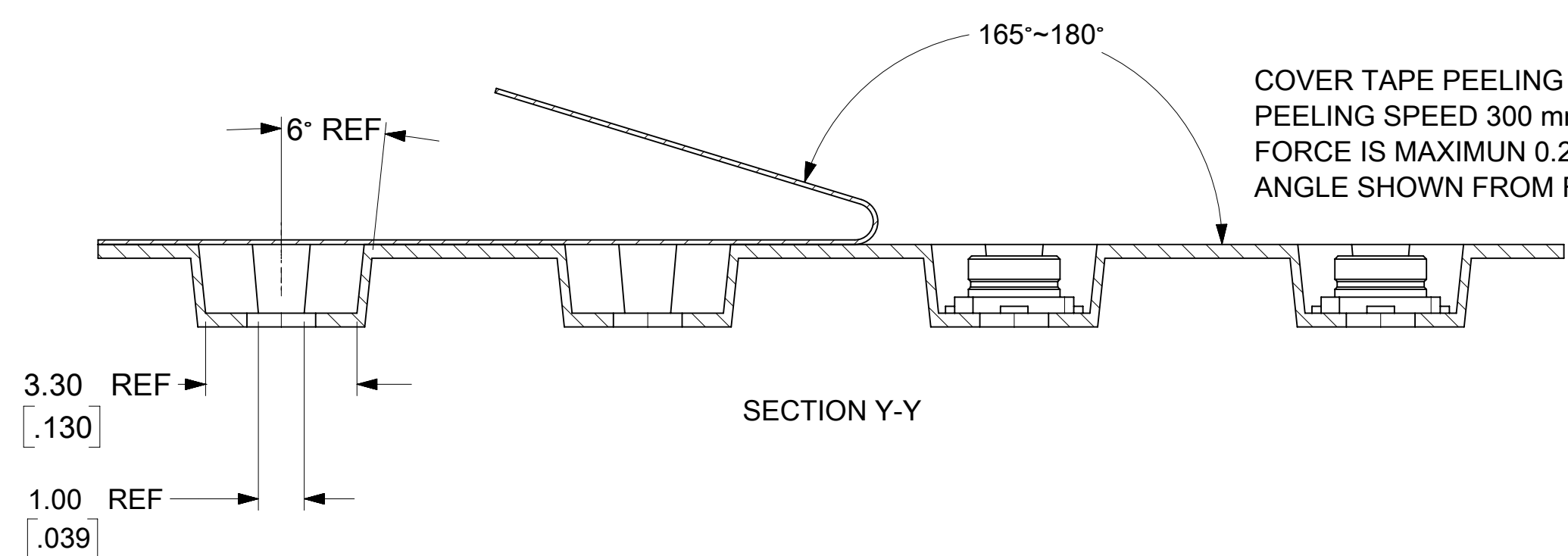
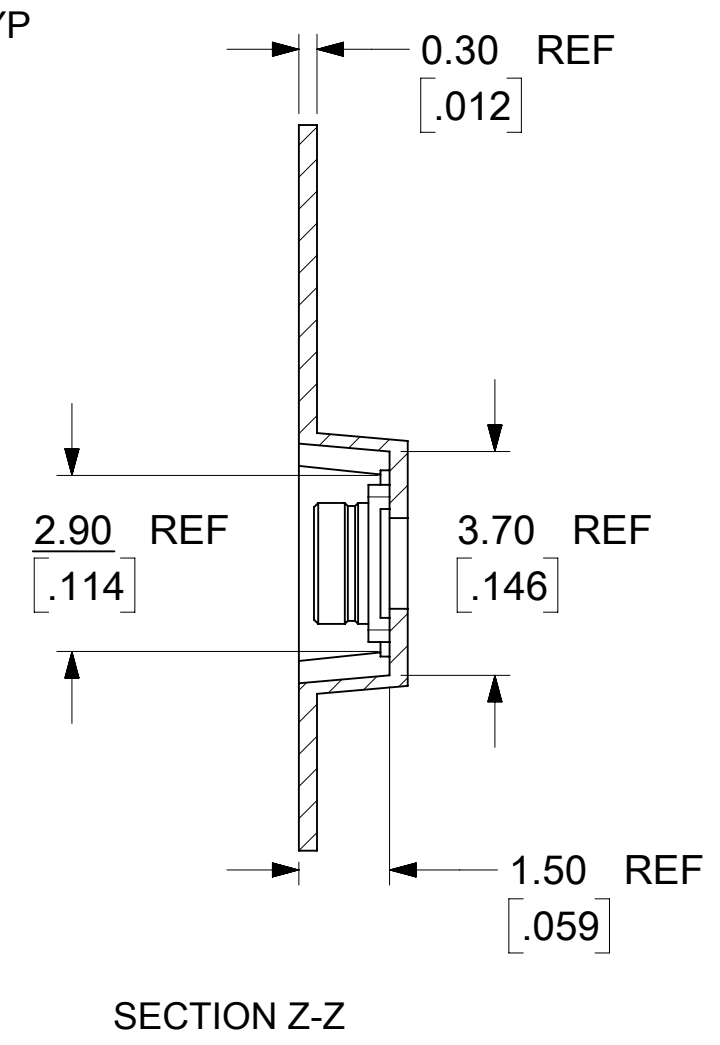
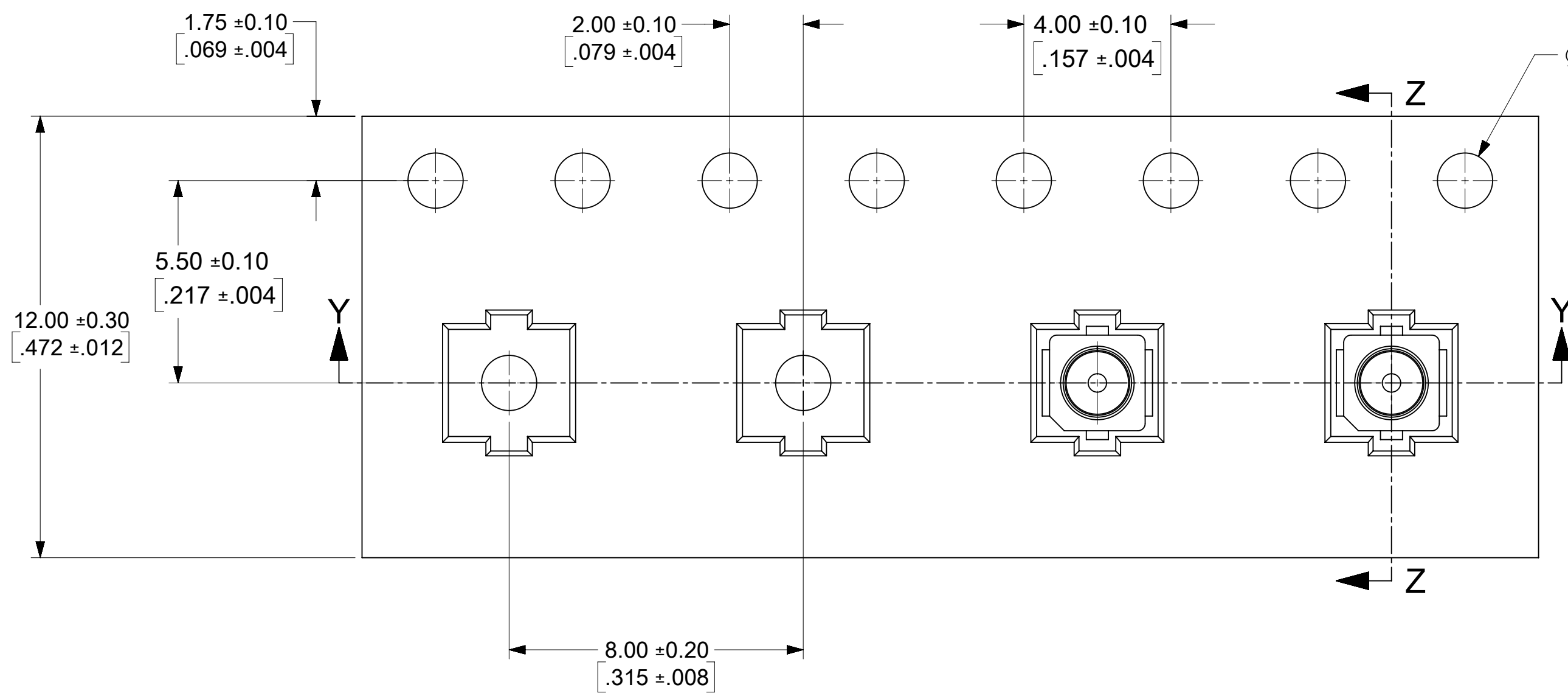
WILL WITHSTAND REFLOW
 TEMPERATURE OF
 260 DEG C 40 SEC MAXIMUM
 VSWR
 DC-6GHz: 1.30 MAX



73412-0116	BAG (500 SETS)
73412-0114	TAPE AND REEL (1K/REEL)
73412-0110	TAPE AND REEL (5K/REEL)
PART NO.	PACKAGING

FUNCTIONAL SYMBOLS		THIS DRAWING CONTAINS INFORMATION THAT IS PROPRIETARY TO MOLEX ELECTRONIC TECHNOLOGIES, LLC AND SHOULD NOT BE USED WITHOUT WRITTEN PERMISSION	
FA = 0	DIMENSION UNITS	SCALE	CURRENT REV DESC: UPDATED FOR NEW MOLD RER EWR14916-A & PCN511407
EA = 0	MM/INCH	NTS	
EP = 0	GENERAL TOLERANCES (UNLESS SPECIFIED)		
DIVISIONAL SYMBOLS		ANGULAR TOL ± 2.0°	EC NO: 714253
4 PLACES ±			DRWN: CWEI02 2021/12/16
3 PLACES ±			CHK'D: YCHENG 2022/07/20
2 PLACES ± 0.25			APPR: YCHENG 2022/07/20
1 PLACE ± 0.13			INITIAL REVISION:
0 PLACES ±			DRWN: YCHENG 2005/03/15
			APPR: MHUANG 2005/03/21
DRAFT WHERE APPLICABLE MUST REMAIN WITHIN DIMENSIONS		THIRD ANGLE PROJECTION	DRAWING SERIES
		C-SIZE	73412
DOCUMENT NUMBER		DOC TYPE	DOC PART
SD-73412-011		PSD	001
MATERIAL NUMBER		CUSTOMER	SHEET NUMBER
SEE TABLE		GENERAL MARKET	1 OF 4

PS-73598-0210	PROD SPEC
SPECIFICATION	DESCRIPTION
DOCUMENT STATUS	P1
RELEASE DATE	2022/07/20 04:31:59

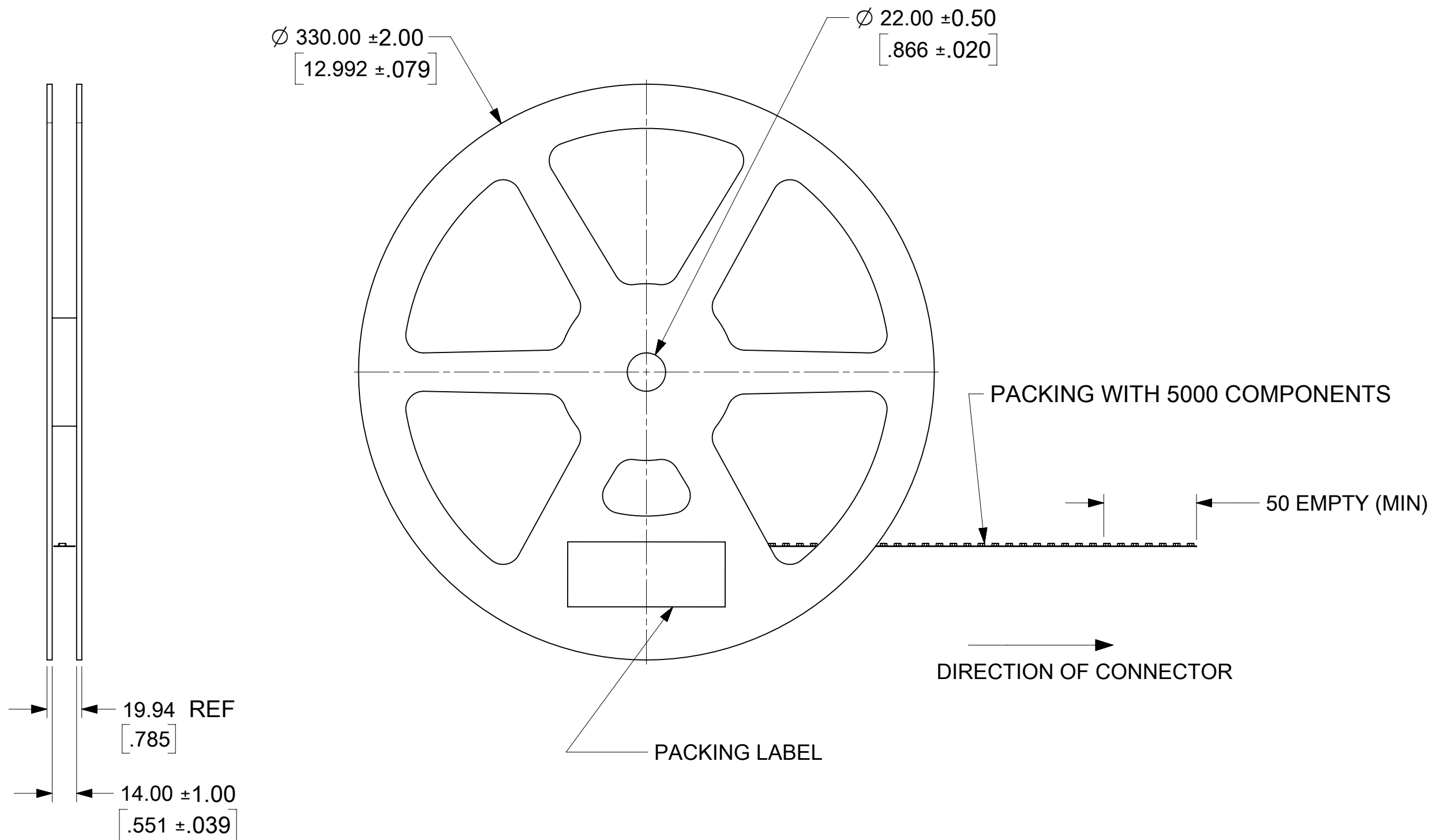
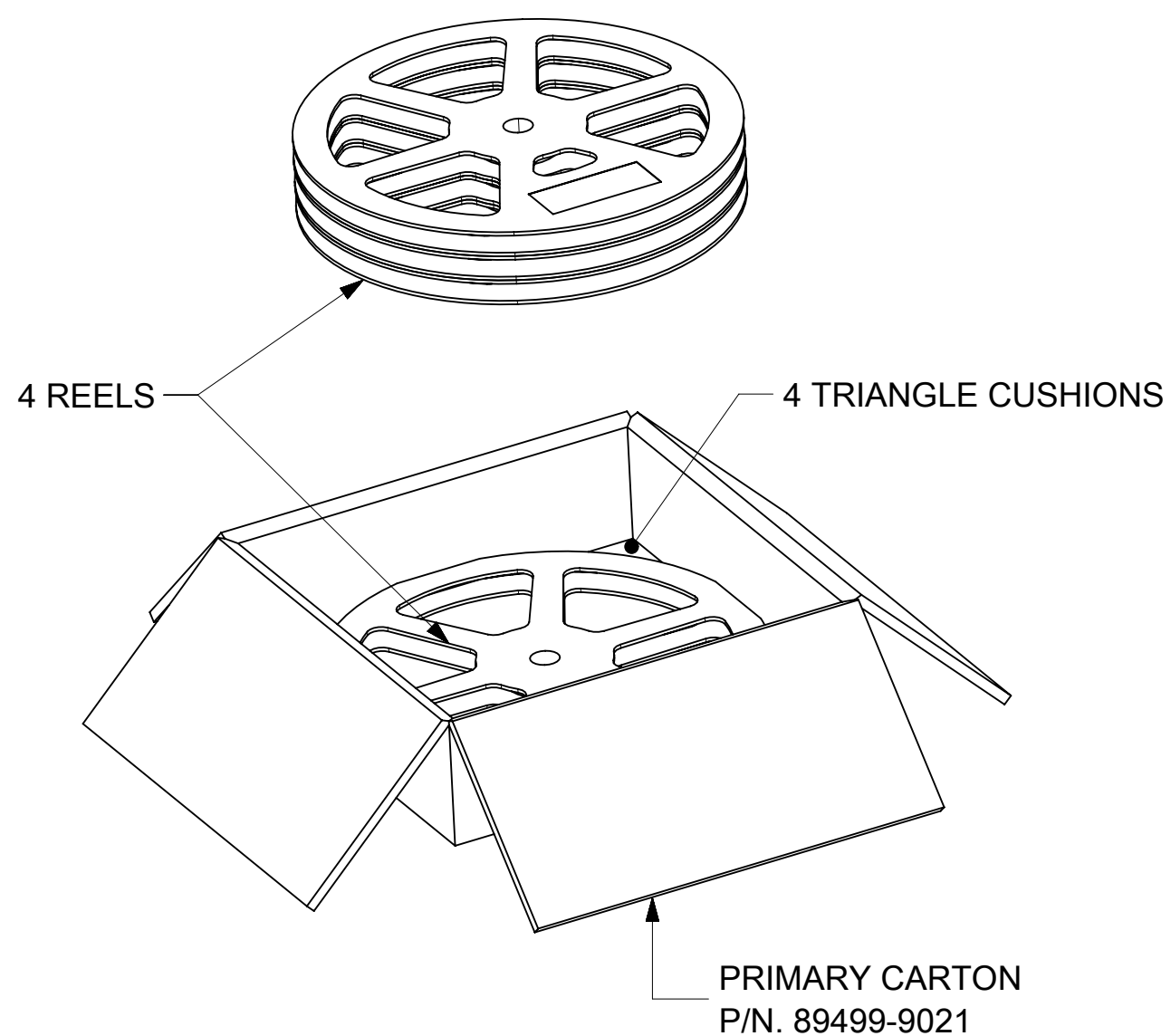


COVER TAPE PEELING FORCE:
 PEELING SPEED 300 mm/Min(REF)
 FORCE IS MAXIMUM 0.2 N~0.9 N AT
 ANGLE SHOWN FROM FEED DIRECTION

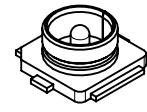
- NOTES:
- 10 SPROCKET HOLE PITCH CUMULATIVE TOLERANCE $\pm 0.20\text{mm}$
 - CARRIER CAMBER IS WITH 1mm IN 250mm
 - MATERIAL : TRANSPARENT POLYSTYRENE
 - ALL DIMENSIONS MEET EIA-481-1 REQUIREMENT
 - COMPONENT LOAD PER 13" REEL (5,000 PCS),
COMPONENT LOAD PER 7" REEL (1,000 PCS),

FUNCTIONAL SYMBOLS		THIS DRAWING CONTAINS INFORMATION THAT IS PROPRIETARY TO MOLEX ELECTRONIC TECHNOLOGIES, LLC AND SHOULD NOT BE USED WITHOUT WRITTEN PERMISSION		CURRENT REV DESC: UPDATED FOR NEW MOLD RER EWR14916-A & PCN511407		molex	
DIMENSION UNITS		SCALE		EWR-14242-J ADDED LABEL FORMAT FOR 73412-0116			
MM/INCH		NTS		EC NO: 714253		MCRF RECEPTACLE VERTICAL MCRF-J	
GENERAL TOLERANCES (UNLESS SPECIFIED)		ANGULAR TOL $\pm 2.0^\circ$		DRWN: CWEI02 2021/12/16		PRODUCT CUSTOMER DRAWING	
DIVISIONAL SYMBOLS		4 PLACES \pm		CHK'D: YCHENG 2022/07/20		DOCUMENT NUMBER	
3 PLACES \pm		2 PLACES ± 0.25		APPR: YCHENG 2022/07/20		SD-73412-011	
1 PLACE ± 0.13		0 PLACES \pm		INITIAL REVISION: DRWN: YCHENG 2005/03/15 APPR: MHUANG 2005/03/21		DOC TYPE DOC PART REVISION	
DRAFT WHERE APPLICABLE MUST REMAIN WITHIN DIMENSIONS		THIRD ANGLE PROJECTION		DRAWING		MATERIAL NUMBER	
				C-SIZE		SEE TABLE	
				SERIES		CUSTOMER	
				73412		GENERAL MARKET	
						SHEET NUMBER	
						2 OF 4	

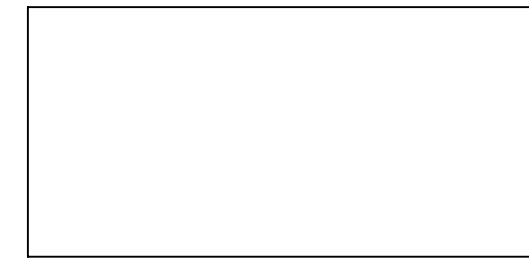
NOTE:
FOR 73412-0110 ONLY



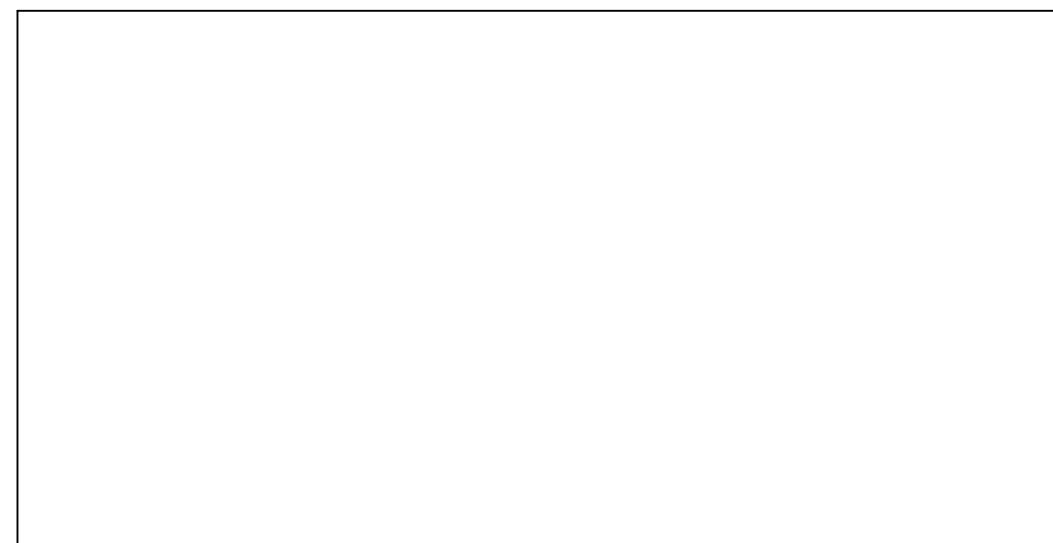
FUNCTIONAL SYMBOLS	THIS DRAWING CONTAINS INFORMATION THAT IS PROPRIETARY TO MOLEX ELECTRONIC TECHNOLOGIES, LLC AND SHOULD NOT BE USED WITHOUT WRITTEN PERMISSION										
	DIMENSION UNITS	SCALE	CURRENT REV DESC: UPDATED FOR NEW MOLD RER EWR14916-A & PCN511407							molex	
$\frac{F}{A} = 0$	MM/INCH	NTS	EWR-14242-J ADDED LABEL FORMAT FOR 73412-0116								
$\frac{F}{C} = 0$	GENERAL TOLERANCES (UNLESS SPECIFIED)		EC NO: 714253							PRODUCT CUSTOMER DRAWING	
$\frac{F}{P} = 0$	ANGULAR TOL $\pm 2.0^\circ$		4 PLACES \pm				2021/12/16				
DIVISIONAL SYMBOLS	3 PLACES \pm		DRWN: CWEI02				2022/07/20				
	2 PLACES ± 0.25		CHK'D: YCHENG				2022/07/20				
	1 PLACE ± 0.13		INITIAL REVISION:				2005/03/15				
	0 PLACES \pm		APPR: YCHENG				2005/03/21				
DRAFT WHERE APPLICABLE MUST REMAIN WITHIN DIMENSIONS		THIRD ANGLE PROJECTION		DRAWING	SERIES	MATERIAL NUMBER	CUSTOMER	DOC TYPE	DOC PART	REVISION	
				C-SIZE	73412	SEE TABLE	GENERAL MARKET	PSD	001	D	
DOCUMENT STATUS		P1	RELEASE DATE	2022/07/20	04:31:59						



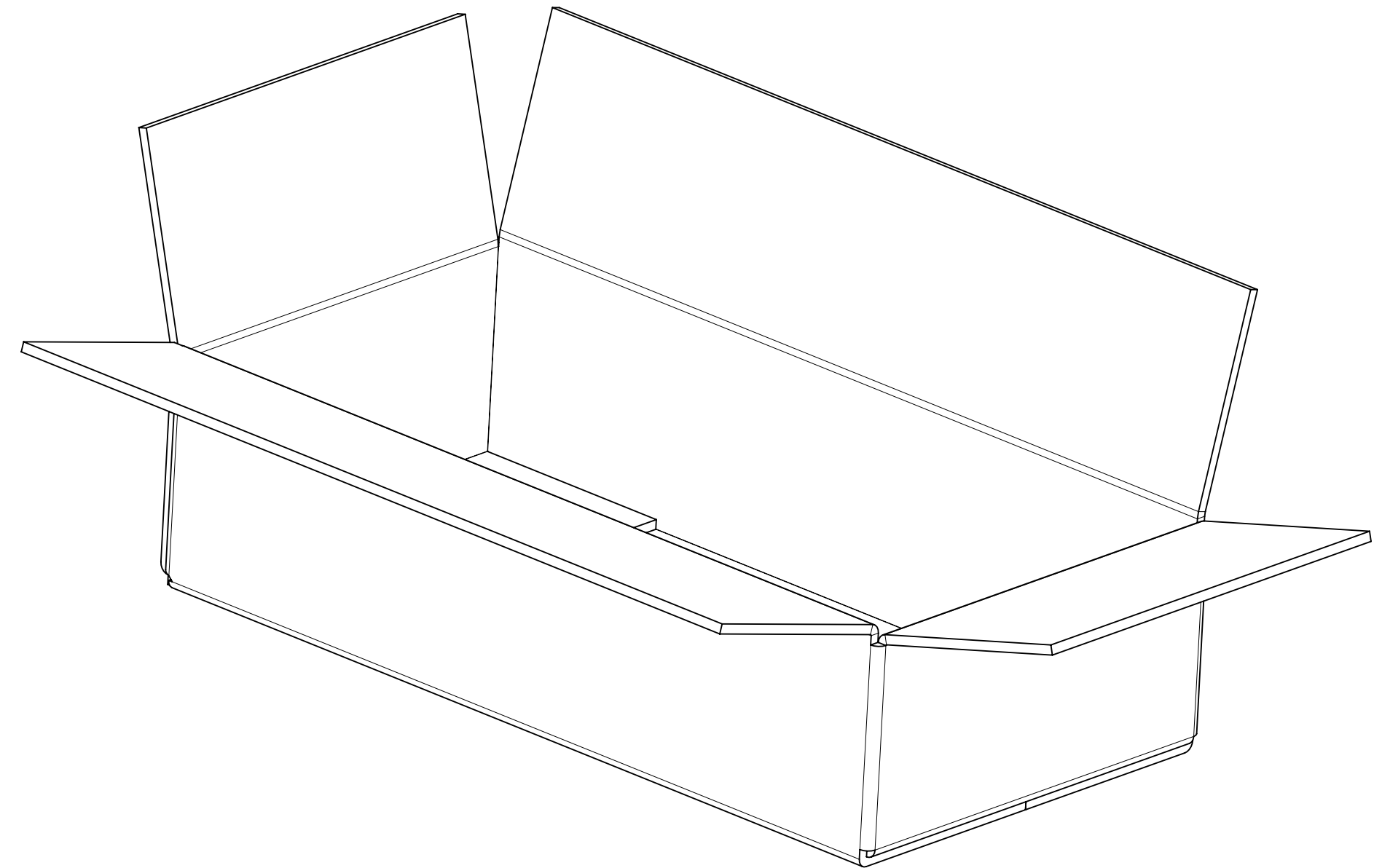
FOR 73412-0116 ONLY



10 SET PER POLYBAG
P/N: 89707-0318

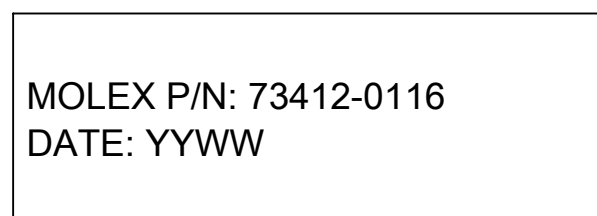


100 SET PER POLYBAG
P/N: 89707-0001



500 SET PER OUTER CARTON BOX
P/N: 96707-0003

LABEL WITH EACH BAG
FOR 73412-0116



FUNCTIONAL SYMBOLS	THIS DRAWING CONTAINS INFORMATION THAT IS PROPRIETARY TO MOLEX ELECTRONIC TECHNOLOGIES, LLC AND SHOULD NOT BE USED WITHOUT WRITTEN PERMISSION												
	DIMENSION UNITS	SCALE	CURRENT REV DESC: UPDATED FOR NEW MOLD RER EWR14916-A & PCN511407							molex			
$\frac{F}{A} = 0$	MM/INCH	NTS	EWR-14242-J ADDED LABEL FORMAT FOR 73412-0116									MCRF RECEPTACLE VERTICAL MCRF-J	
$\frac{F}{C} = 0$	GENERAL TOLERANCES (UNLESS SPECIFIED)		EC NO: 714253							PRODUCT CUSTOMER DRAWING			
$\frac{F}{P} = 0$	ANGULAR TOL $\pm 2.0^\circ$		DRWN: CWEI02				2021/12/16		DOCUMENT NUMBER			DOC TYPE	DOC PART
DIVISIONAL SYMBOLS	4 PLACES \pm		CHK'D: YCHENG				2022/07/20				SD-73412-011	PSD	001
	3 PLACES \pm		APPR: YCHENG				2022/07/20		MATERIAL NUMBER	CUSTOMER			
	2 PLACES ± 0.25		INITIAL REVISION:				2005/03/15				GENERAL MARKET	4 OF 4	
	1 PLACE ± 0.13		DRWN: YCHENG				2005/03/21						
	0 PLACES \pm		APPR: MHUANG										
DRAFT WHERE APPLICABLE MUST REMAIN WITHIN DIMENSIONS			THIRD ANGLE PROJECTION		DRAWING	SERIES	MATERIAL NUMBER	CUSTOMER	SHEET NUMBER				
					C-SIZE	73412		GENERAL MARKET	4 OF 4				