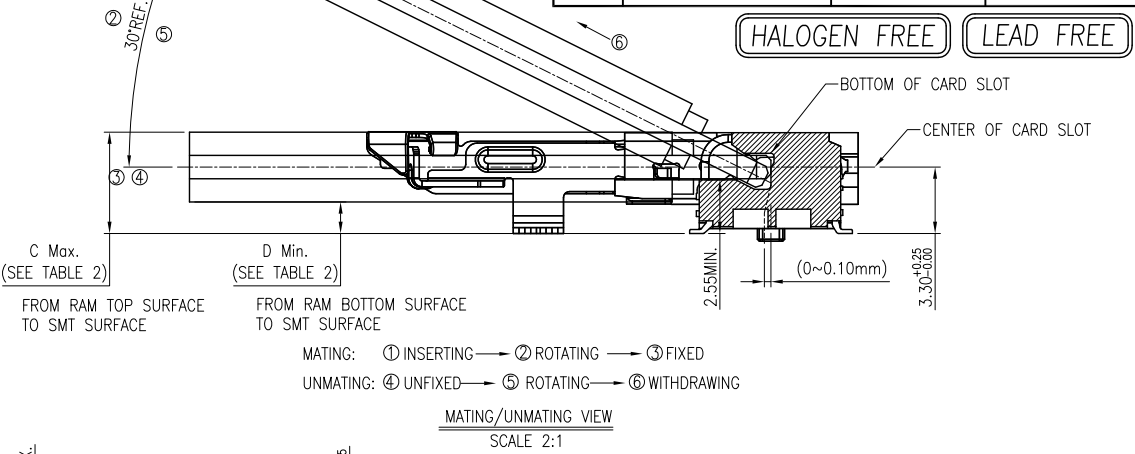


REV.	MODIFICATION	DATE	DRAW
A	INITIAL RELEASE	2015.05.12	Vincent
B	INCREASE DIMENSION	2015.07.26	Ann
C	ECN-2016003	2016.05.31	Vincent

HALOGEN FREE LEAD FREE



- NOTES
- MATERIAL
HOUSING: THERMOPLASTIC. UL94V-0.
CONTACT: HIGH-PERFORMANCE COPPER ALLOY.
LATCH: STAINLESS STEEL.
PEG: STAINLESS STEEL.
 - FINISH
CONTACT: GOLD PLATING(SEE NOTE 4) ON CONTACT AREA AND 1~3u" GOLD PLATING ON SOLDER AREA NICKEL(SEE TABLE 1) UNDER PLATING OVER ALL
PEG: 50~150u" TIN PLATING OVER ALL
50~150u" NICKEL UNDER PLATING OVER ALL
 - MSL LEVEL:
MSL(MOISTURE SENSITIVITY LEVEL)=1.
 - PART NO. : D4ARX-260XX-XX52
SEE TABLE 1
- PLATING CONTACT
- | | |
|--|--|
| 01 : GOLD 1u"Min. | PACKING
P: TAPE REEL(NORMAL DIRECTION)
HOUSING COLOR
1:BLACK
2:NATURAL |
| 03 : GOLD 3u"Min. | |
| 05 : GOLD 5u"Min. | |
| 10 : GOLD 10u"Min. | |
| 15 : GOLD 15u"Min. | |
| 20 : GOLD 20u"Min.
30 : GOLD 30u"Min. | |

LINKTEK

DIMENSION IN mm [Inch]	PROD. SPEC.
	SP-D4XXXL1
TOLERANCE UNLESS OTHERWISE SPECIFIED	PKG. SPEC.
	PK-D4XXX-XXX
.X±0.35	X.*± 1*
.XX±0.25	.X.*±
.XXX±	.XX.*±

深圳市逸沛兴电子科技有限公司	
TITLE: DDR4 5.2H RVS CONNECTOR	
FILE NO. ARG-224	DWG NO. D4ARX-260XX-XX52
CUSTOMER DRAWING	
SIZE A4	SCALE 1:1
SHEET 1/2	REV. C

TABLE 1

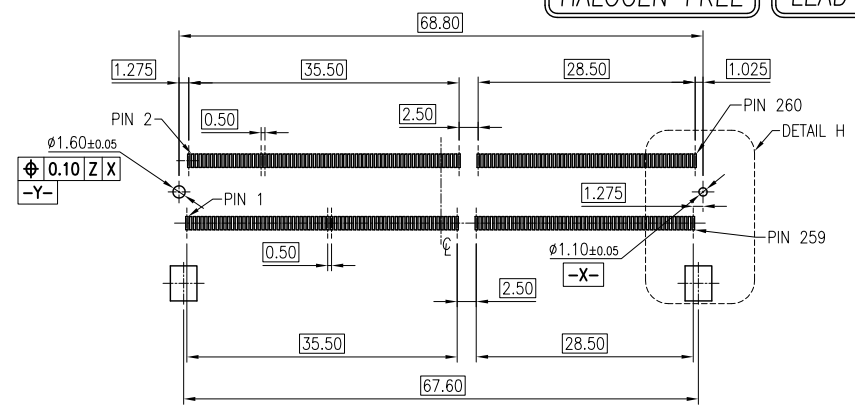
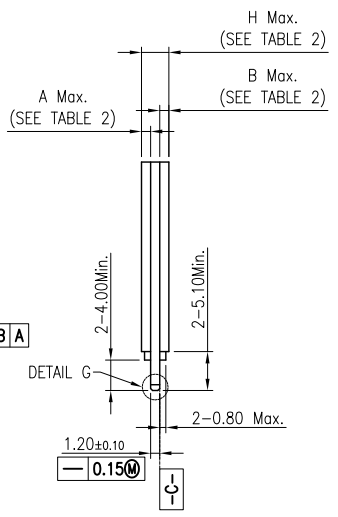
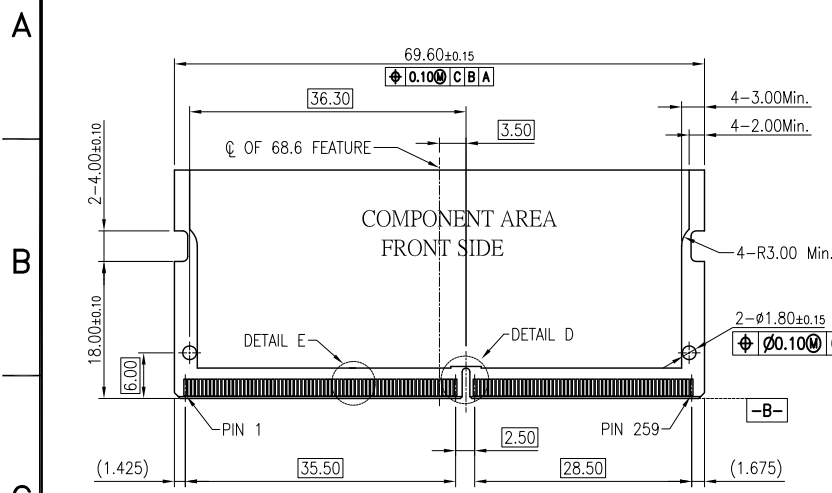
N	With "LTK"	90~150u"
A	Without "LTK"	50~150u"
0(NUMBER ZERO)	With "LTK"	50~150u"
X	TRADEMARK	CONTACT NICKEL FINISH

F

F

REV.	MODIFICATION	DATE	DRAW
A	INITIAL RELEASE	2015.05.12	Vincent
B	INCREASE DIMENSION	2015.07.26	Ann
C	ECN-2016003	2016.05.31	Vincent

HALOGEN FREE LEAD FREE



RECOMMEND P.C BOARD LAYOUT
 PCB THICKNESS 0.80mm Min.
 PCB LAYOUT GENERIC TOLERANCE:±0.05
 (-Z-) :PCB SURFACE

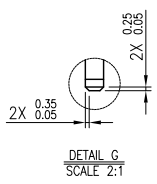
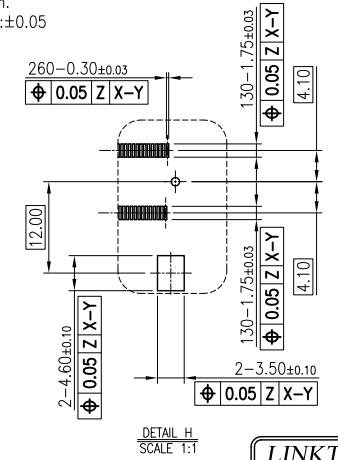
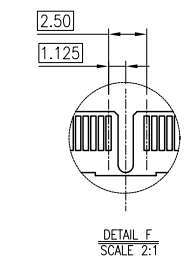
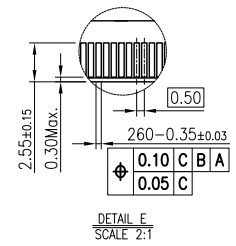
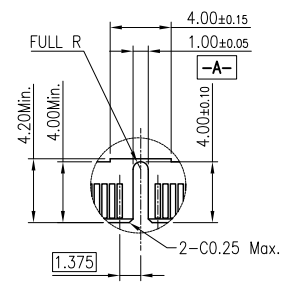
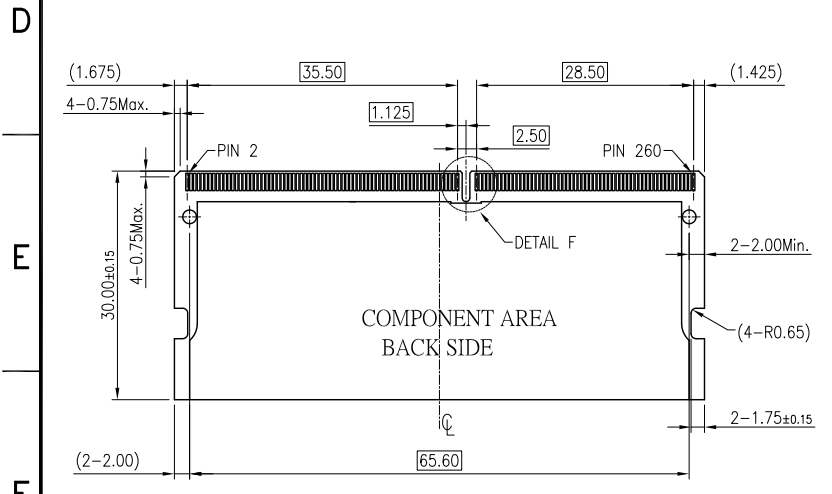


TABLE 2

DIM.	DIM. A	DIM. B	DIM. C	DIM. D
4.70	1.70	1.70	6.50	0.90
3.70	1.20	1.20	6.00	1.40

DIMENSION IN mm [Inch]	PROD. SPEC.
TOLERANCE UNLESS OTHERWISE SPECIFIED	SP-D4XXXL1
.X±0.35	PKG. SPEC. PK-D4XXX-XXX
.XX±0.25	APR. Tony 2016.05.31
.XXX±	CHK. Leon 2016.05.31
	DRA. Vincent 2016.05.31

LINKTEK

深圳市逸沛兴电子科技有限公司

TITLE: DDR4 5.2H RVS CONNECTOR

FILE NO. ARG-224 DWG NO. D4ARX-260XX-XX52

PROJ. CUSTOMER DRAWING

SIZE A4 SCALE 1:1 SHEET 2/2 REV. C C