

Voltage Controlled

Gated-Delay Line Oscillator

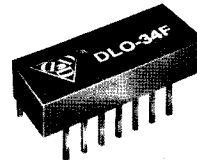
SERIES: **DLO-34F**

14 pins DIP
TTL Interfaced



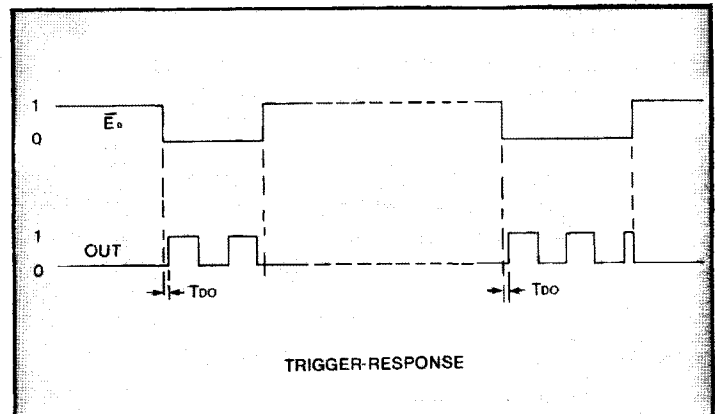
Features:

- Frequency settability comparable to crystal oscillator.
- Jitter-free operation.
- T²L interfaced.
- Continuous or keyable wavetrain.
- Locked synchronization achieved with random gating signal.
- 14 pins DIP package.
- Low profile module.



Specifications:

- Frequencies: See table; others on request.
- Frequency adjustment range: $\pm 4\%$ min.
- Tolerance: Settable to $\pm .01\%$ or better.
- Control voltage (V_{CTL}): -2 to -5 Vdc. Continuous adjustment.
- Control current: $< 1 \mu a$
- Temperature coefficient: 100 PPM/ $^{\circ}C$.
- Operating temperature: 0° - $70^{\circ}C$.
- Supply voltage: 5Vdc $\pm 5\%$.
- Supply current: 40 ma.
- Storage temperature: $-55^{\circ}C$ to $125^{\circ}C$.
- DC parameters: See TTL-Fast Schottky Logic Table on Page 6.
- Inherent delay (T_{DO}): 4 ns typ.



Part Number	Frequency	Part Number	Frequency
DLO-34F-2	2 MHz	DLO-34F-10	10 MHz
DLO-34F-2.5	2.5 MHz	DLO-34F-11	11 MHz
DLO-34F-3	3 MHz	DLO-34F-12	12 MHz
DLO-34F-3.5	3.5 MHz	DLO-34F-13	13 MHz
DLO-34F-4	4 MHz	DLO-34F-14	14 MHz
DLO-34F-4.5	4.5 MHz	DLO-34F-15	15 MHz
DLO-34F-5	5 MHz	DLO-34F-20	20 MHz
DLO-34F-5.5	5.5 MHz	DLO-34F-25	25 MHz
DLO-34F-6	6 MHz	DLO-34F-30	30 MHz
DLO-34F-7	7 MHz	DLO-34F-35	35 MHz
DLO-34F-8	8 MHz		
DLO-34F-9	9 MHz		

