

PLEASE CHECK WWW.MOLEX.COM FOR LATEST PART INFORMATION

Part Number: [0505437225](#)
Status: **Active**
Description: Ring Tongue Terminal for 4/0 AWG, Closed Uninsulated Brazed Barrel, Stud Size M10, Oxygen-Free Copper, Length 55.60mm (2.189")

Documents:

[Drawing \(PDF\)](#) [RoHS Certificate of Compliance \(PDF\)](#)
[Product Specification PS-50541-002 \(PDF\)](#)

General

Product Family	Ring and Spade Terminals
Series	50543
Crimp Quality Equipment	Yes
Mil-Spec	N/A
Product Name	R (Ring)
Type	Ring

Physical

Barrel Type	Closed - Brazed
Insulation	None
Material - Plating Mating	Tin
Packaging Type	Bag
Stud Size	M10
Wire Size AWG	4/0
Wire Size mm ²	96.3 - 117.2

Material Info

Reference - Drawing Numbers

Product Specification	PS-50541-002
Sales Drawing	SD-50543-001



Series

image - Reference only

EU RoHS

ELV and RoHS Compliant
REACH SVHC
 Not Reviewed
Halogen-Free Status
 Not Reviewed

China RoHS



Need more information on product environmental compliance?

Email productcompliance@molex.com
 For a multiple part number RoHS Certificate of Compliance, [click here](#)

Please visit the [Contact Us](#) section for any non-product compliance questions.

Search Parts in this Series

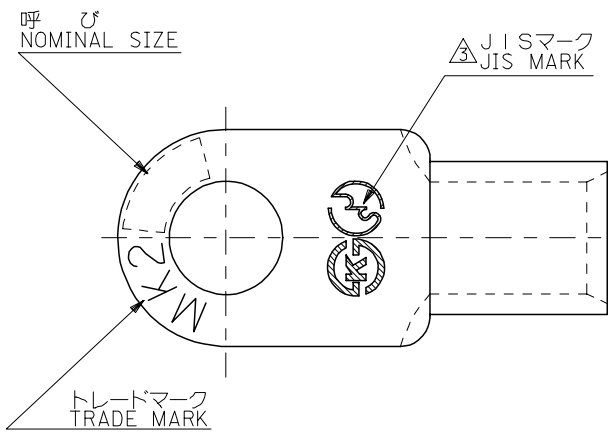
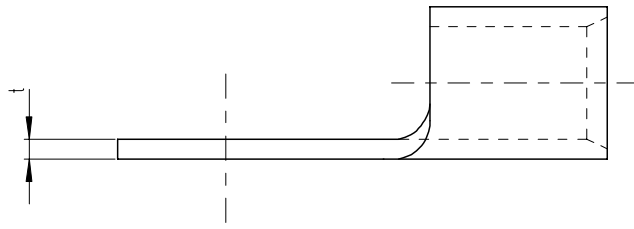
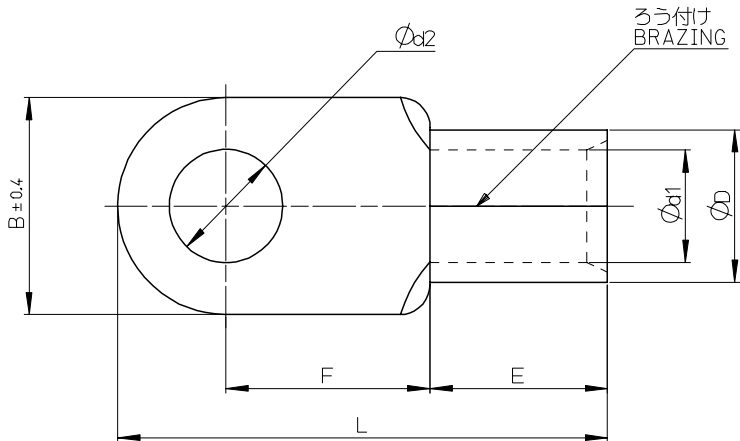
[50543Series](#)

Application Tooling | [FAQ](#)

Tooling specifications and manuals are found by selecting the products below. Crimp Height Specifications are then contained in the Application Tooling Specification document.

Japan

Description	Product #
Tool Kit For 57343-9012	0573439001
Battery Type Hand Crimper For JIS Terminal	0573439004



注記 NOTES

- 1 材質 MATERIAL
 端子：無酸素銅、錫めっき
 TERMINAL: OXYGEN-FREE COPPER, TIN PLATING
 ろう付け部：銀ろう
 PART OF BRAZING : SILVER SOLDER
- 2 適用電線 APPLICABLE WIRE RANGE

単線 SOLID WIRE	撚線 STRANDED WIRE
10.41-11.68 mm	96.3-117.2 mm ²

⚠ JIS認定品にのみ刻印。
 DIE STAMPED MARK IS ALLOWED ONLY
 FOR JIS FILED PRODUCTS.

	2.65 ^{+0.22} _{-0.1}	25 ^{+0.4} _{-0.1}	69 ^{+0.4} _{-0.8}	32 ^{+0.8}	21 ^{+0.8}	16.4 ^{+0.6} _{-0.5}	22.3 ^{+0.7} _{-0.6}	32	100	24	50543-7226
		21 ^{+0.4} ₀	70 MAX	26 MIN	18.5 MIN	16.4 ±0.5	22.3 ^{+0.7} _{-0.5}			20	50543-7126
JIS	2.6 MN	19 ^{+0.4} ₀		23.5 MIN						18	50543-7026
		17 ^{+0.4} ₀		21.5 MIN						16	50543-7925
		15 ^{+0.4} ₀	20 MIN	14	50543-7825						
	2.65 ^{+0.22} _{-0.1}	13 ^{+0.4} _{-0.1}	69 ^{+0.4} _{-0.8}	32 ±0.8	21 ±0.8	16.4 ^{+0.6} _{-0.5}	22.3 ^{+0.7} _{-0.6}	28.5		L12	50543-7725
		10.5 ^{+0.4} _{-0.1}	56 MAX	18.5 MIN	18.5 MIN	16.4 ±0.5	22.3 ^{+0.7} _{-0.5}			L10	50543-7625
JIS	2.6 MN	8.4 ^{+0.4} _{-0.1}		20.4 ±0.8						21 ±0.8	16.4 ^{+0.6} _{-0.5}
	2.65 ^{+0.22} _{-0.1}	11.5 ^{+0.4} _{-0.1}	55.6 ^{+0.4} _{-0.8}	20.4 ±0.8	21 ±0.8	16.4 ^{+0.6} _{-0.5}	22.3 ^{+0.7} _{-0.6}	28.5		12	50543-7425
JIS	2.6 MN	10.5 ^{+0.4} ₀	56 MAX	15.5 MIN	18.5 MIN	16.4 ±0.5	22.3 ^{+0.7} _{-0.5}			11	50543-7325
		8.4 ^{+0.4} _{-0.1}	20.4 ±0.8	21 ±0.8						16.4 ^{+0.6} _{-0.5}	22.3 ^{+0.7} _{-0.6}
	2.65 ^{+0.22} _{-0.1}	8.4 ^{+0.4} _{-0.1}	55.6 ^{+0.4} _{-0.8}	20.4 ±0.8	21 ±0.8	16.4 ^{+0.6} _{-0.5}	22.3 ^{+0.7} _{-0.6}	28.5		8	50543-7125
		6.4 ^{+0.4} _{-0.1}	20.4 ±0.8	21 ±0.8	16.4 ^{+0.6} _{-0.5}	22.3 ^{+0.7} _{-0.6}	6			50543-7025	
⚠	t	Ød2	L	F	E	Ød1	ØD	B	呼び NOMINAL SIZE	呼び NOMINAL SIZE	ENG. NO.

RELEASED EC NO: J2007-0312 DR: W. H. YAJIMA 2007/05/17 CHK: K. KASAHARA 2007/05/18 APPR: N. UKITA 2007/05/18	GENERAL TOLERANCES (UNLESS SPECIFIED)		DIMENSION STYLE MM ONLY		SCALE ---	DESIGN UNITS METRIC	THIRD ANGLE PROJECTION		
	10 UNDER	± ---	DRAWN BY H. YAJIMA		DATE '06/08/22		TITLE RING TERMINAL		
	10 OVER 30 UNDER	± ---	CHECKED BY K. KASAHARA		DATE '06/08/22		MOLEX INCORPORATED SD-50543-001		
	30 OVER	± ---	APPROVED BY N. UKITA		DATE '06/08/22				
	ANGULAR	± --- °	MATERIAL NO. SEE CHART		DOCUMENT NO. SD-50543-001		SHEET NO. 1 OF 1		
0	REV	DRAFT WHERE APPLICABLE MUST REMAIN WITHIN DIMENSIONS		SIZE A3		THIS DRAWING CONTAINS INFORMATION THAT IS PROPRIETARY TO MOLEX INCORPORATED AND SHOULD NOT BE USED WITHOUT WRITTEN PERMISSION			