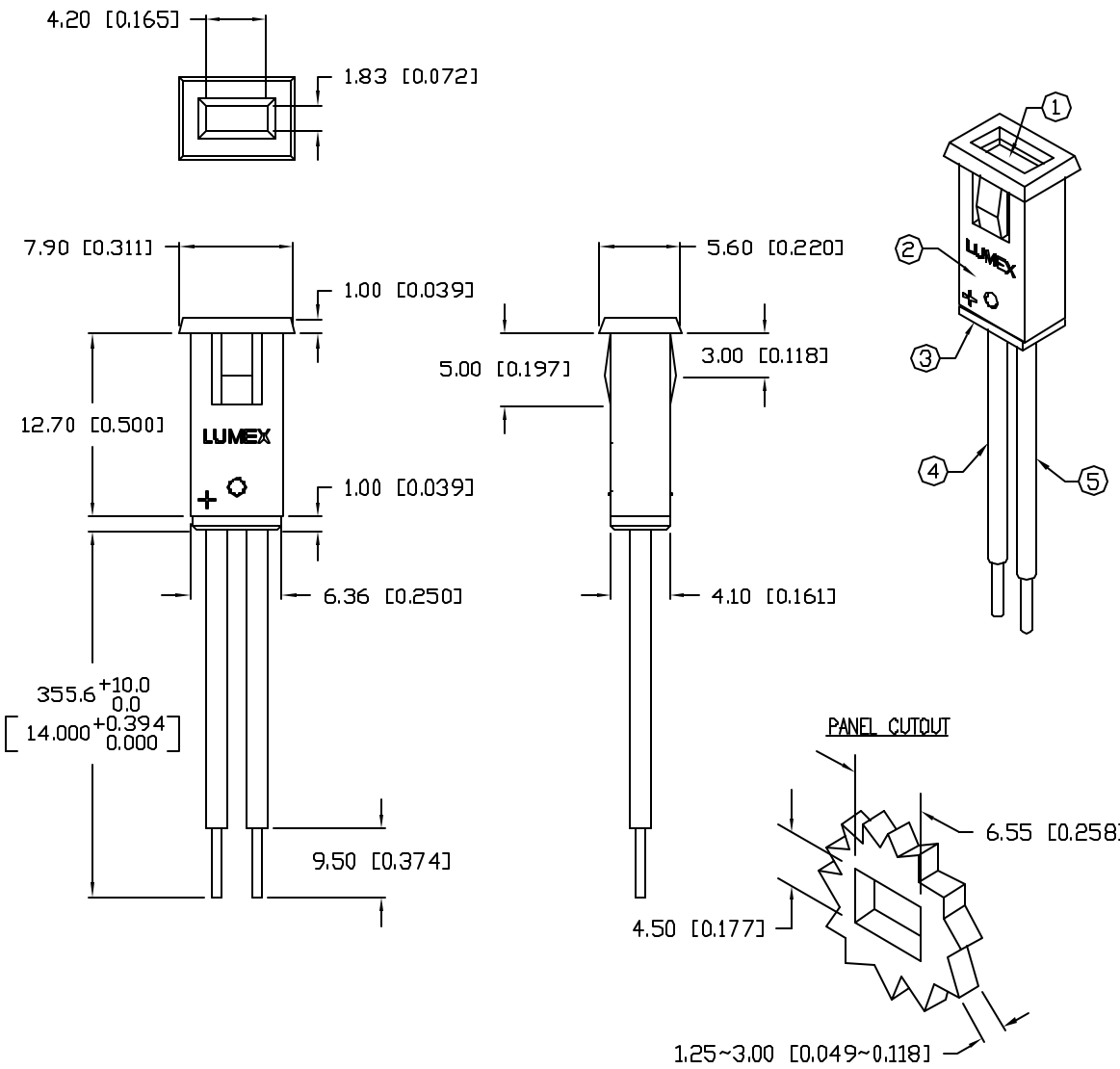


UNCONTROLLED DOCUMENT

PART NUMBER		REV.
SSI-LXMP059HGQ5172		B
REV.	E.C.N. NUMBER AND REVISION COMMENTS	DATE
A	E.C.N. #10BRDR. & REDRAWN IN 3D.	1.7.02
B	E.C.N. #11148.	11.23.04



ELECTRO-OPTICAL CHARACTERISTICS $T_A=25^{\circ}\text{C}$ $I_f=20\text{mA}$

PARAMETER	MIN	TYP	MAX	UNITS	TEST COND
PEAK WAVELENGTH		700 (RED)		nm	
		585 (GREEN)		nm	
FORWARD VOLTAGE (R/G)		2.0/2.2	2.5/2.6	V_f	
REVERSE VOLTAGE	5.0			V_r	$I_f=100\mu\text{A}$
AXIAL INTENSITY (R/G)		0.6/7		mcd	$I_f=20\text{mA}$
VIEWING ANGLE		175		2x theta	
EMITTED COLOR:	RED/GREEN				
EPOXY LENS FINISH:	MILKY WHITE DIFFUSED				

LIMITS OF SAFE OPERATION AT 25°C

PARAMETER	COLORS	MAX	UNITS
PEAK FORWARD CURRENT*		150	mA
STEADY CURRENT		25	mA
POWER DISSIPATION	(R/G)	120/105	mW
DERATE FROM 25°C		-1.2	mW/°C
OPERATING, STORAGE TEMP.		-40 TO +85	°C

* $t < 10\mu\text{s}$

NOTES:

1. SSL-LX2573HCW-ED, RED/GREEN LED. TRIM LEADS TO 3~4mm LONG.
2. SSH-LXMP059-HSG, BLACK HOLDER.
3. SSH-LXMP059-BSG2, BUSHING.
4. RED ANODE: LXP-WST26RDT0C, RED INSULATED, 26 AWG., CUT 360mm, STRIP 3mm & 9.5mm.
5. GREEN ANODE: LXP-WST26BLT0C, BLACK INSULATED, 26 AWG., CUT 360mm, STRIP 3mm & 9.5mm.
6. CRIMP OR SOLDER LEAD WIRES TO LED AND ASSEMBLE INTO HOUSING.
7. ROHS COMPLIANT

*UNLESS OTHERWISE SPECIFIED TOLERANCES PER DECIMAL PRECISION ARE: X=±1 (±0.039), X.X=±0.5 (±0.020), X.XX=±0.25 (±0.010), X.XXX=±0.127 (±0.005). LEAD SIZE=±0.05 (±0.002), LEAD LENGTH=±0.75 (±0.030), MIN.=^{+0.00}_{-0.00} DECIMAL PRECISION, MAX.=^{+0.00}_{-0.00} DECIMAL PRECISION

UNCONTROLLED DOCUMENT

REV.	PART NUMBER	CONFIDENTIAL INFORMATION	290 E. HELEN ROAD	
B	SSI-LXMP059HGQ5172	THE INFORMATION CONTAINED IN THIS DOCUMENT IS THE PROPERTY OF LUMEX INC. EXCEPT AS SPECIFICALLY AUTHORIZED IN WRITING BY LUMEX INC., THE HOLDER OF THIS DOCUMENT SHALL KEEP ALL INFORMATION CONTAINED HEREIN CONFIDENTIAL AND SHALL PROTECT SAME IN WHOLE OR IN PART FROM DISCLOSURE AND DISSEMINATION TO ALL THIRD PARTIES.	PALATINE, IL 60067-6976	
RED/GREEN RECTANGULAR LED PANEL INDICATOR, MILKY WHITE DIFFUSED LENS, 14" WIRE LEADS.		RELIABILITY NOTE	PHONE: +1.847.359.2790	
		OUR MANY YEARS OF EXPERIENCE DATA ACCUMULATION INDICATE THAT SOLDER HEAT IS A MAJOR CAUSE OF EARLY AND FUTURE FAILURE. PLEASE PAY ATTENTION TO YOUR SOLDERING PROCESS.	US WEB: www.lumex.com	
			TW WEB: www.lumex.com.tw	
			DRAWN BY: BC	CHECKED BY:
			APPROVED BY:	DATE: 12.29.00
				PAGE: 1 OF 1
				SCALE: N/A