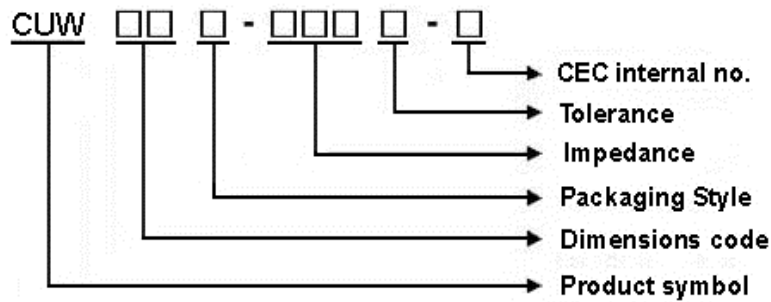


**1** **Scope:** This specification applies to CUW FILTER

**2** **Part Numbering:**



**3** **Rating:**

Operating Temperature:  $-40^{\circ}\text{C} \sim 105^{\circ}\text{C}$  (Including self - temperature rise)

Storage Temperature:  $20^{\circ}\text{C} \sim 25^{\circ}\text{C}$  R.H. 65% (In Tape & Reel Condition)

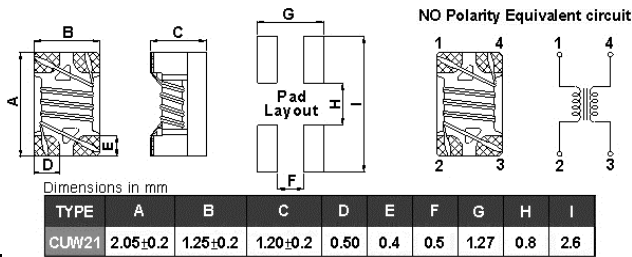
**4** **Marking:**



**5** **Standard Testing Condition**

	Unless otherwise specified	In case of doubt
Temperature	Ordinary Temperature(15 to 35°C)	20 to 30°C
Humidity	Ordinary Humidity(25 to 85% RH)	50 to 80 %RH

## 6 Configuration and Dimensions:



## 7 Electrical Characteristics:

Part No.	Z (Ω)	RDC (Ω)Max.	IDC (mA)	Rated Voltage (Vdc)	Withstanding Voltage (Vdc)	Insulation Resistance (MΩ)(min)	Tolerance (±%)	Test Freq. (MHz)
CUW21T-300□-N	30	0.2	450	50	125	10	20	100
CUW21T-670□-N	67	0.25	400	50	125	10	20	100
CUW21T-750□-N	75	0.3	360	50	125	10	20	100
CUW21T-900□-N	90	0.35	330	50	125	10	20	100
CUW21T-121□-N	120	0.3	400	50	125	10	20	100
CUW21T-161□-N	160	0.35	350	50	125	10	20	100
CUW21T-181□-N	180	0.35	330	50	125	10	20	100
CUW21T-201□-N	200	0.35	330	50	125	10	20	100
CUW21T-221□-N	220	0.35	310	50	125	10	20	100
CUW21T-261□-N	260	0.4	300	50	125	10	20	100
CUW21T-301□-N	300	0.4	290	50	125	10	20	100
CUW21T-361□-N	360	0.45	280	50	125	10	20	100
CUW21T-371□-N	370	0.45	280	50	125	10	20	100
CUW21T-501□-N	500	0.55	170	50	125	10	20	100
CUW21T-671□-N	670	0.6	140	50	125	10	20	100
CUW21T-901□-N	900	0.6	80	50	125	10	20	100

**NOTE:** □-tolerance M=±20%

1. Operating temperature range – 4 0 °C ~ 1 0 5 °C (Including self - temperature rise)

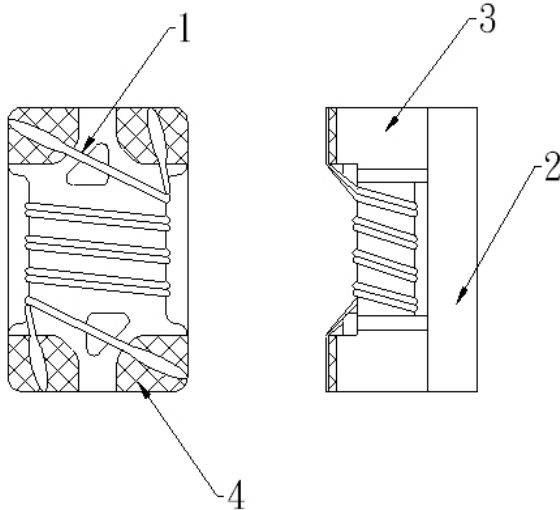
2. RDC: SINGLE WIRE TEST VALUE

3. IDC for Inductance drop 10% from its value without current.

"-N" FOR COMPLETELY LEAD FREE TYPE(INCLUDING FERRITE BODY & SOLDER)

**8** CUW21T Series

**8.1 Construction:**



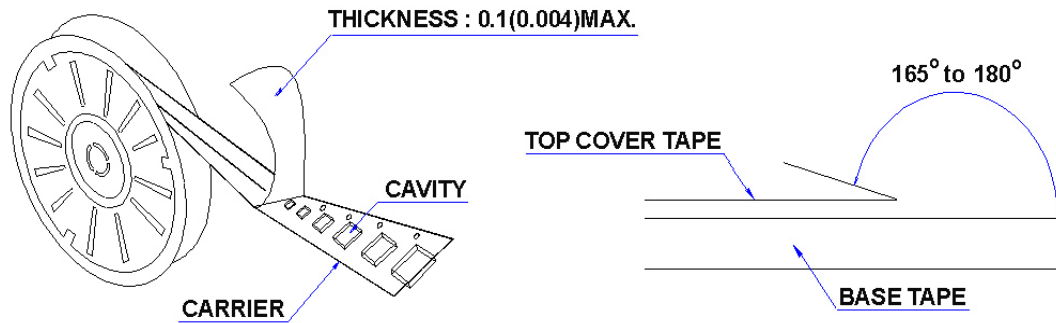
**8.2 Material List:**

No	Part	Material
1	WIRE	Grade 180
2	Cover sheet	FERRITE
3	CORE	FERRITE
4	TERMINAL	Ag/Cu/Ni/Sn

## 9 Packaging:

### 9.1 Packaging -Cover Tape

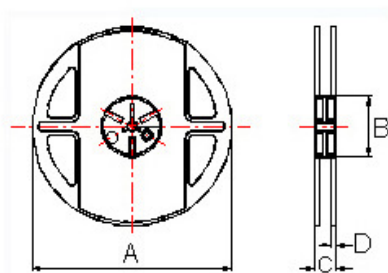
The force for tearing off cover tape is 10 to 100 grams in the arrow direction.



### 9.2 Packaging Quantity

TYPE	PCS/REEL
CUW21	2000
CUW31	2000

### 9.3 Reel Dimensions

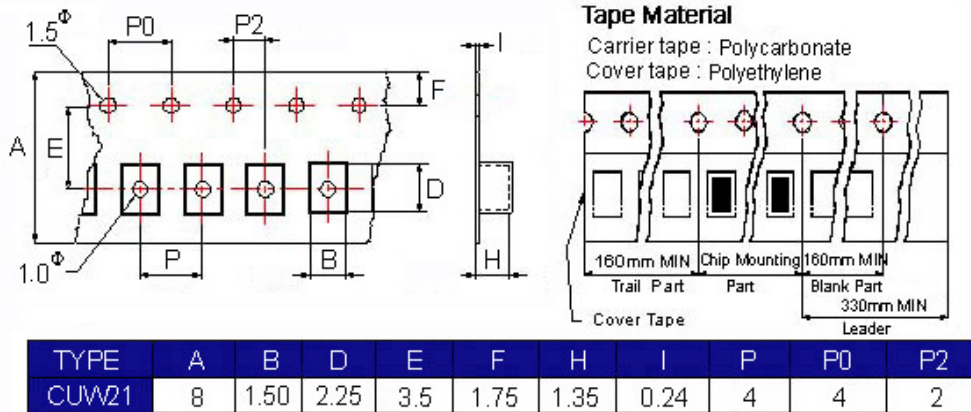


Dimensions in mm

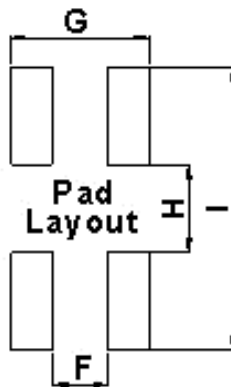
TYPE	A	B	C	D
CUW21	178	60	12	1.5
CUW31	178	60	12	1.5

**9 Packaging:**

**9.4 Tape Dimensions in mm**



**10 Recommended Land Pattern:**



Dimensions in mm

TYPE	F(in/mm)	G(in/mm)	H(in/mm)	I(in/mm)
CUW21	0.020/0.5	0.05/1.27	0.03/0.8	0.10/2.6

**11 Note:**

1. Please make sure that your product has been evaluated and confirmed against your specifications when our product is mounted to your product.
2. Do not knock nor drop.
3. All the items and parameters in this product specification have been prescribed on the premise that our product is used for the purpose, under the condition and in the environment agreed upon between you and us. You are requested not to use our product deviating from such agreement.
4. Please keep the distance between transformer/coil and other components (refer to the standard IEC 950)
5. The moisture sensitivity level (MSL) of products is classified as level 1.

## 12 Graph: CUW21T-900M-N

