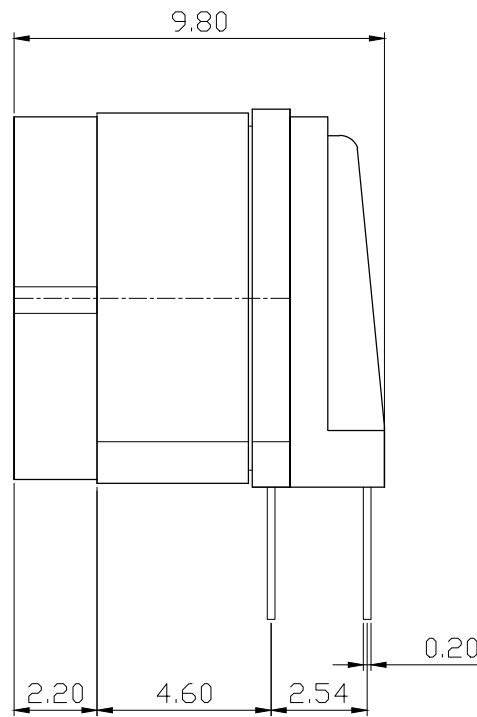
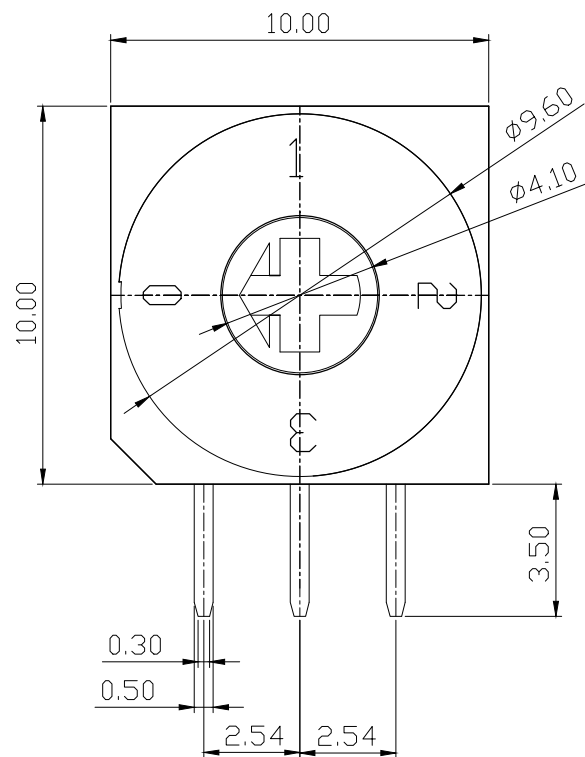


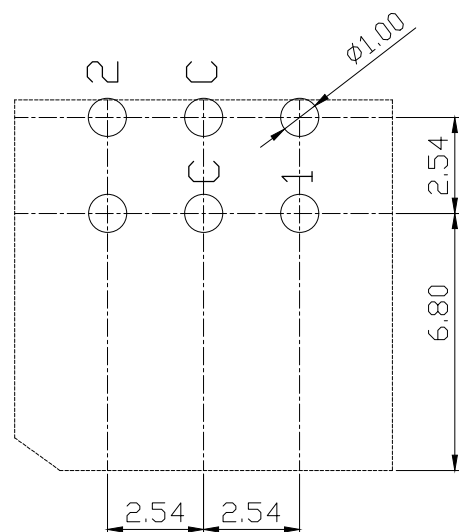
MARK	DATE	REMARKS
△		
△		



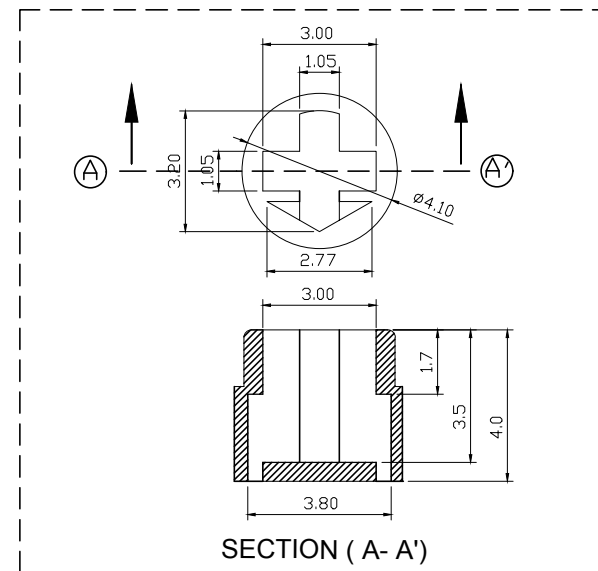
SPECIFICATION

- Rating : 150mA, 42V DC (Switching)
200mA, 42V DC (None-Switching)
- Contact Resistance : 80mΩ Max
- Insulation Resistance : 100MΩ Min
- Operating Force : 700gf Max
- Life cycle : 10,000 steps

		Real Coded		
		C	1	2
04 P o s i t i o n	0	●		
	1	●	●	
	2	●		●
	3	●	●	●



P.C.B DIMENSION



APPD	CHKD	D'SGD	TITLE. ROTARY DIP SWITCH	
K.L LEE	J.P ROH	H.S LEE	MODEL NO. TER-04H1	REV C
SUNGMUN ELECTRONICS CO., LTD.				