

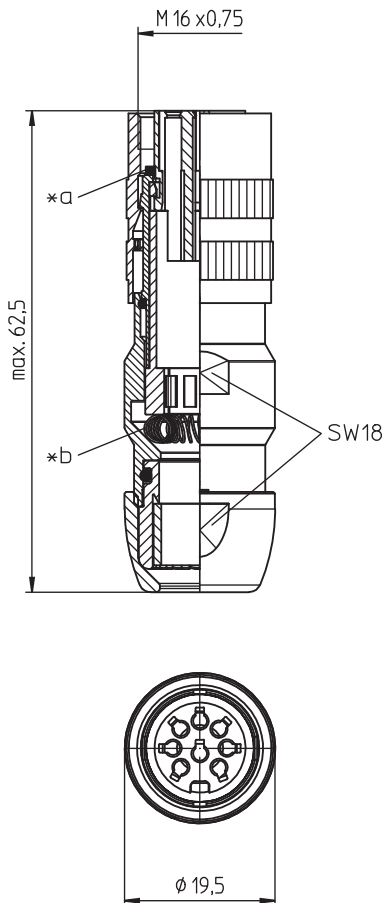
03 036000

Circular connectors with threaded joint M16 acc. to IEC 61076-2-106, IP40/IP67/IP68



Next Generation – socket acc. to AISG specification and IEC 61076-2-106, IP68, with threaded joint and vibration protection, empty housing for reception of crimp contacts, 360° shielded, optimized assembly

03 036000



Environmental conditions

Temperature range -40 °C/+85 °C

Materials

Insulating body	PA GF, V-0 according to UL94
Schirmfeder	stainless steel
Insulating sleeve	PA, V-0 according to UL94
Clamp	PA, V-0 according to UL94
Housing	CuZn, nickel-plated/Zn diecast, pre-copper and nickel-plated
Knurled nut	CuZn, nickel-plated
Seal	CR/EPDM

Mechanical data

Insertion force/contact	≤ 50 N ¹
Withdrawal force/contact	≥ 35 N ¹
Protection class	IP68 ²

¹ measured with a proper counterpart

² according to IEC DIN EN 60529, only in locked condition with an appropriate counterpart; IPX8 requirements under agreement between manufacturer and user

Connectable conductors for crimp area

Cable diameter 4–10 mm

Electrical data (at T_{amb} 20 °C)

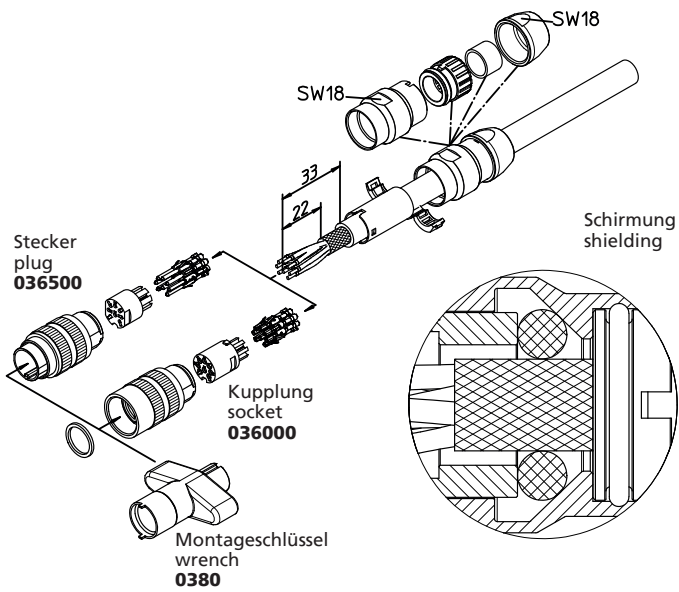
Rated current	5 A (T _{amb} 40 °C)
Rated voltage	250 V
Rated impulse voltage	500 V
Material group	II (IEC)/1 (UL) (CTI ≥ 550)
Overvoltage category	I
Insulation resistance	> 100 MΩ
Further data	see suitable crimp contact

Associated products

Counterparts

☞ 0314	☞ 0314-1	☞ 0314-2
☞ 0315	☞ 0315-1	☞ 0315-1 U
☞ 0315-2	☞ 0316	☞ 0316-1
☞ 0316-2	☞ 0317	☞ 0317-1
☞ 031798-1	☞ 031798-2	☞ 031799-2
☞ 0318	☞ 0318-1	☞ 0318-2

03 036000

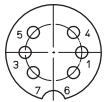


☞ 032200	☞ 0331	☞ 0332
☞ 0332-1	☞ 033200	☞ 0365
☞ 036500	☞ 0369 V109	
Accessories		
☞ 0322 C 16	☞ 0364 V109	☞ 0381
☞ 038199	☞ 038799	

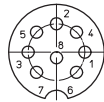


*c

036000 05-3



036000 06-1



08-a

036000 08-1

*a flat gasket

*b shielding connection

*c pin configuration according to AISG C485

03

036000

Designation	Pole Number	PU (Pieces)	MDQ (Pieces)
036000 05-3	5	50	100
036000 06-1	6	50	100
036000 08-1	8	50	100

Packaging:

sets of individual parts, partly pre-assembled, in plastic bags, in a cardboard box