



ETA-USA

The Power Professionals

ZMP250-SX-F-WO

250W AC/DC



Features

- ITE & Medical Dual Safety Approvals
- High Power density, 250W in 3X5 foot print
- Means of Patient Protection (MOPP); Meet Medical BF rated and Isolation Voltage 5,656 VDC
- ITE up to 5000m, Medical Below 3000m
- No load power consumption <0.5Watts. (for 5Vsb standby mode)
- Main output and Standby output Power ON LED indicators
- 3 years warranty

RoHS CB   CE  FC

MODEL/CHANNEL		Unit	ZMP250 12SX-F-WO	ZMP250 24SX-F-WO	ZMP250 28SX-F-WO	ZMP250 48SX-F-WO	ZMP250 54SX-F-WO	
OUTPUT	Nominal Voltage	V	12	24	28	48	54	
	Convection	A	20.84	10.42	8.93	5.21	4.63	
	Current	A	33.33	16.66	14.28	8.33	7.4	
	Ripple and Noise	mVp-p	240	300				
	Efficiency Typ.	%	> 91% typical @full load, 230VAC					
	Standby Supply	V	5V/0.3A					
	Standout Supply	V	12V/0.25A					
	Total Power	W	400Watts forced air, 250Watts convection cooling.					
	Operating Frequency	KHZ	47-63Hz					
Output Regulations	%	±3%						
MODEL/CHANNEL		Unit						
INPUT	Nominal Voltage	V	90-264VAC					
	Inrush Current	-	< 45A peak @ 115VAC; < 80A peak @ 230VAC cold start @ 25°C					
	Input Current	-	4.2A @ 115VAC; 2.1A @ 340VAC max.					
	Remote On/Off	-	Remote control (Inhibit) function					
	Power Factor	-	> 0.95 @ 115VAC; > 0.9 @ 230VAC @ full load					
	Touch Current	-	< 100uA @ 264VAC.					
	Hold up time	-	> 10ms typical 50% load, 115VAC					



ETA-USA

16170 Vineyard Blvd. Suite 180 Morgan Hill, CA 95037 <http://www.eta-usa.com>

Toll-free (US only): 800-ETA-POWR (800-382-7697) Telephone: 408 778-2793 FAX: 408-779-2753

©2014 ETA-USA All Rights Reserved

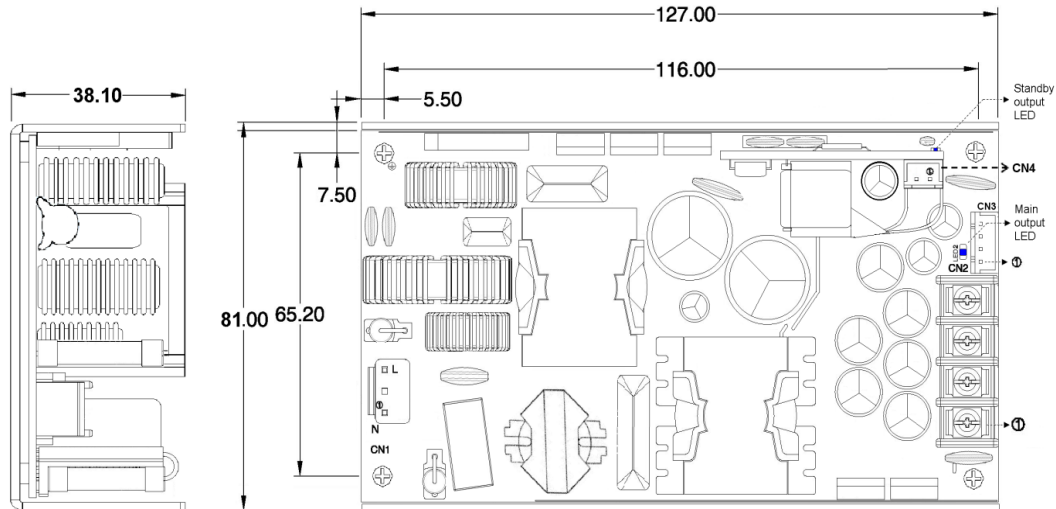
ETA-USA reserves the right to make changes to the products and specifications without prior notice. Please contact the factory for latest information.



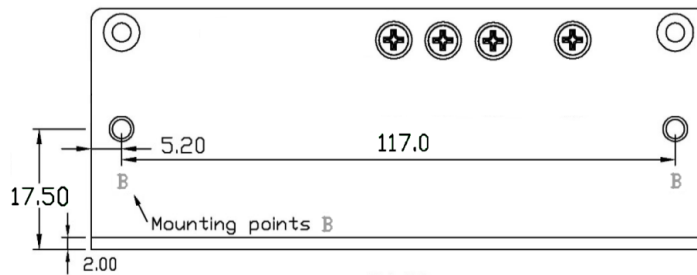
ETA-USA

The Power Professionals

Pin Output

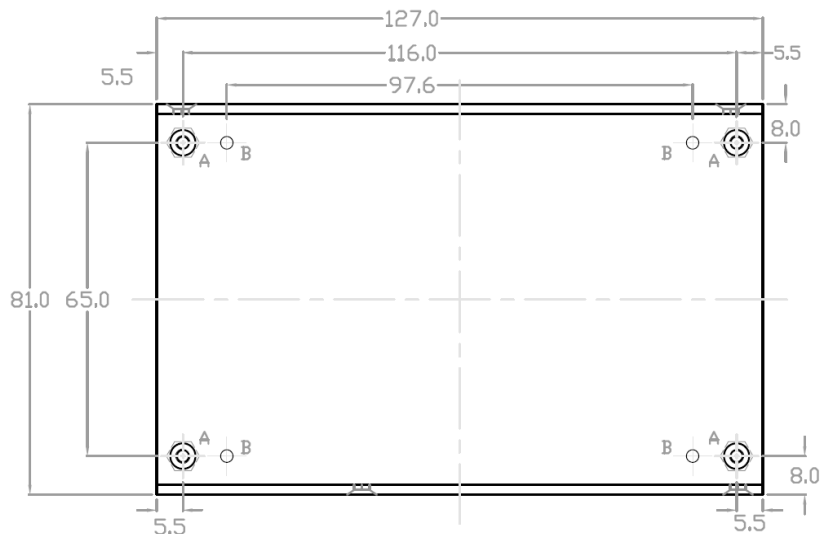
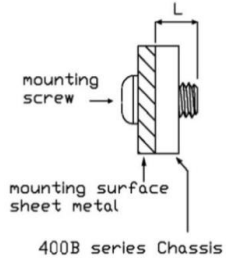


Dimension : L127xW81xH38.1mm
 Tolerance : L: +/-1.5mm
 W&H: +/-0.5mm



Mounting notes

L : max penetration depth



Note:

U Chassis connected to earth ground, for optimum SAFETY and EMI performance.

Mounting points A, M3x0.5 thread, max penetration depth 3.0mm.

Mounting points B, M3x0.5 thread, max penetration depth 3.0mm.



ETA-USA

16170 Vineyard Blvd. Suite 180 Morgan Hill, CA 95037 <http://www.eta-usa.com>

Toll-free (US only): 800-ETA-POWR (800-382-7697) Telephone: 408 778-2793 FAX: 408-779-2753

©2014 ETA-USA All Rights Reserved

ETA-USA reserves the right to make changes to the products and specifications without prior notice. Please contact the factory for latest information.