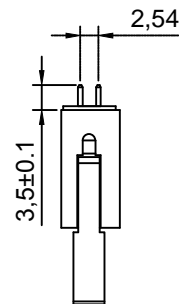
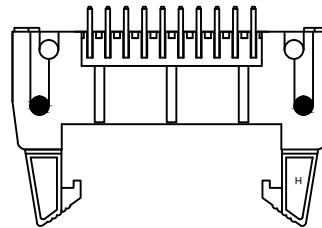
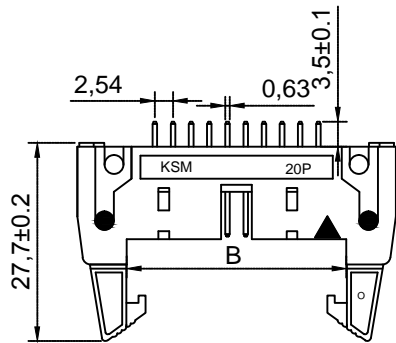
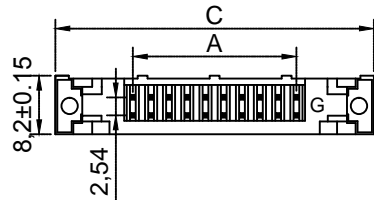




Material  
 Insulator: 25%Glass filled PBT,(UL 94V-0)  
 Contact : Brass  
 Surface Coating:GOLD Over

Electrical Characteristics  
 Current rating:1.5Amps  
 Dielectric Withstanding Voltage:AC 1000V for 1 Minute.  
 Insulator Resistance:1000MΩ Min.  
 Contact Resistance:30mΩ Max.  
 Operating Temperature:-40°C ~+105°C



Number of contacts	Dimension		
	A±0.1	B±0.15	C±0.2
6	5.08	13.0	26.92
8	7.62	15.5	29.46
10	10.16	18.0	32.0
14	15.24	23.1	37.0
16	17.78	25.6	39.4
20	22.86	30.7	44.5
24	27.86	35.78	50.58
26	30.48	38.4	52.2
30	35.56	43.4	57.28
34	40.64	48.55	62.4
40	48.26	56.25	70.0
50	60.96	68.8	82.0
60	73.66	81.8	95.6
64	78.74	86.8	100.58

未注公差尺寸			DC2-2.54-*PAS	上海洲日电子有限公司			
尺寸	公差			Shanghai Zhouri Electronics CO.,LTD			
	长度	角度		上海康司玛电子设备进出口有限公司			
X.	±0.3	±5°	20171018 A/O	Shanghai KangSiMa Eletronic Equipment import and export Co.,LTD			
X.X	±0.2	±3°		TEL:86-21-34975176/51571121			
X.XX	±0.15			物料编号			
绘图	周元金	201171018	ZR20171018-191	1:1	mm	图幅	A4
审核	张海娜	201171018					
核准	章妹	20181111					