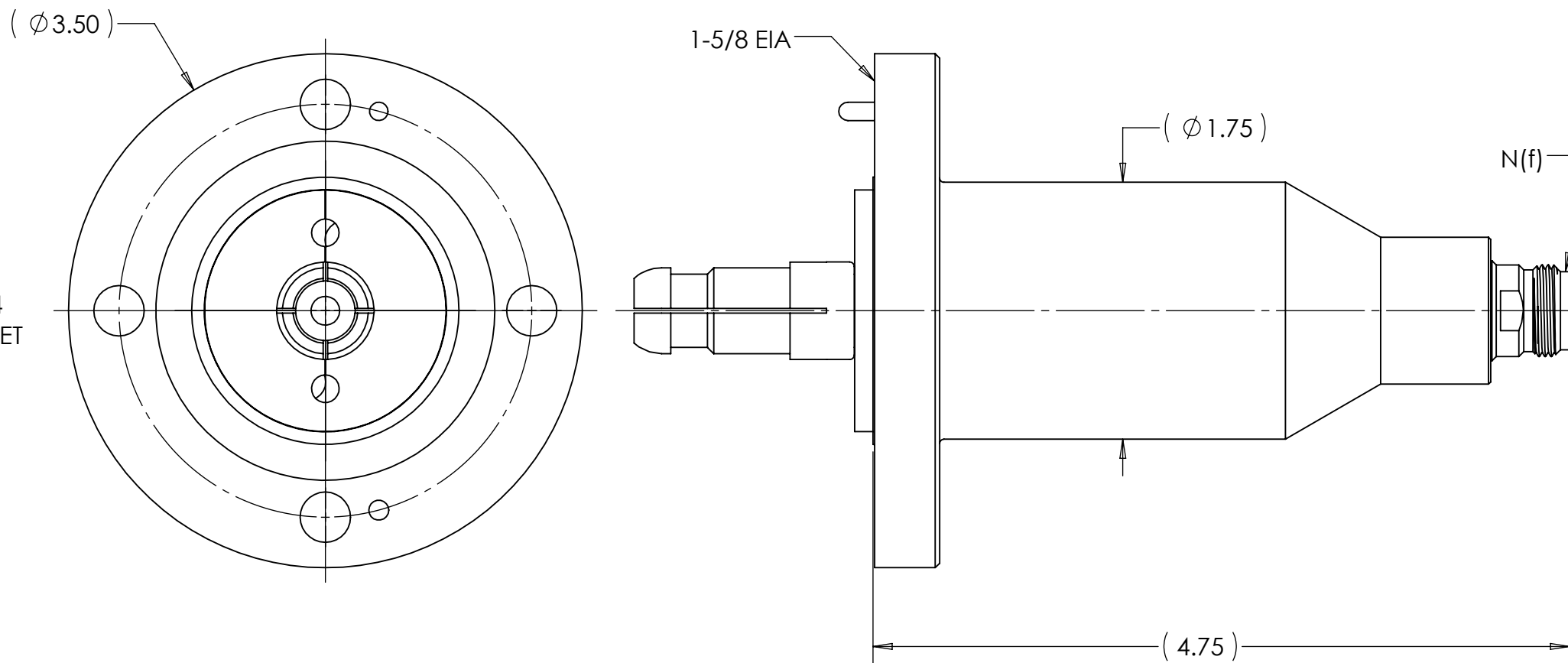
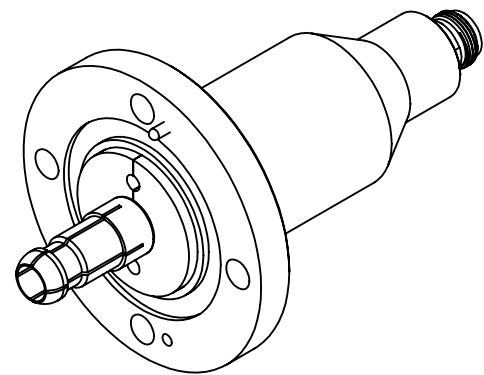


This document, including the design, configuration and mechanical features revealed herein are the sole, confidential and proprietary property of TRU Corporation. Reproduction or use thereof, in whole or part, is prohibited without the prior written consent of TRU Corporation.

REV.	DESCRIPTION	DATE	APPROVED
-	ORIGINAL ISSUE	11/07/12	AM
A	CHANGED PER ECO-4282	11/15/12	AM



ENGINEERING DATA

MECHANICAL:

INTERFACE: 1-5/8 EIA per EIA STD RS-225 & MIL-DTL-24044
WITH FIXED FLANGE & REMOVABLE BULLET
N(f) per MIL-STD-348 FIG. 304.2

ELECTRICAL:

IMPEDANCE: 50 OHMS NOM

MATERIAL:


CONTACTS: BRASS & BERYLLIUM COPPER
INSULATORS: PTFE
BODIES: BRASS
O-RING: NEOPRENE

FINISH:

CONTACTS: SILVER PLATED
BODIES: NICKEL PLATED

NOTES:

- UNLESS OTHERWISE SPECIFIED; ALL DIMENSIONS ARE FOR REFERENCE ONLY.
- SUPPLIED WITH THE FOLLOWING ITEMS:
 - QTY 4 5/16-18 X 1.50 HEX HEAD BOLT
 - QTY 4 5/16-18 HEX NUT
 - QTY 8 5/16 LOCKWASHER
 - QTY 1 O-RING

MATERIAL	DO NOT SCALE DRAWING	DRAWN AM	DATE 11/05/12	 TRU Corporation 245 Lynnfield St, Peabody, MA 01960 EXPERIENCE. TRU INNOVATION.
	UNLESS OTHERWISE SPECIFIED: DIMENSIONS ARE IN INCHES	ENG APPR. AM	DATE 11/05/12	
COMMENTS:	TOLERANCES: FRACTIONS: ±1/64 .XX : ±.01 .XXX: ±.005 ANGLES: ±1/2° MACHINED SURFACES: 63/√	MFG APPR.	DATE	TITLE: CONNECTOR, COAXIAL 1-5/8EIA to N(f) ADAPTER
		OTHER APPR.	DATE	
surface area: sq inch	weight: lbs	THIRD ANGLE PROJECTION		SIZE B DWG. NO. TRU-12136 REV A
				CAGE CODE: 92180 SCALE: 1:1 SHEET 1 OF 1