

03

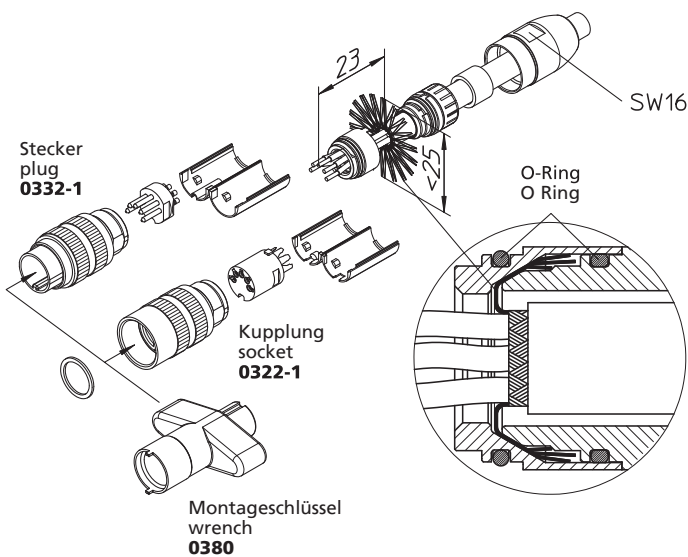
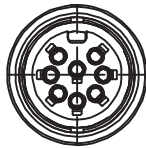
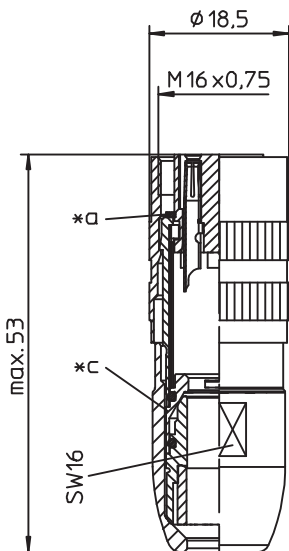
0322-1

Circular connectors with threaded joint M16 acc. to IEC 61076-2-106, IP40/IP67/IP68



Socket acc. to AISG specification and IEC 61076-2-106, IP 68, with threaded joint and solder terminals, shielded at 360°

03 0322-1



Environmental conditions

Temperature range -40 °C/+85 °C

Materials

Insulating body	PA GF, V-0 according to UL94
Contact bush	CuZn, silver-plated and flash gold-plated
Housing	CuZn, nickel-plated
Knurled nut	CuZn, nickel-plated
Seal	NBR

Mechanical data

Insertion force/contact	$\leq 5.0 \text{ N}^1$
Withdrawal force/contact	$\geq 1.2 \text{ N}^1$
Protection class	IP68 ²

¹ measured with a polished steel pin, nominal thickness 1.5 mm

² according to IEC DIN EN 60529, only in locked condition with an appropriate counterpart; IPX8 requirements under agreement between manufacturer and user

Connectable conductors for solder area

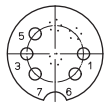
Section	$\leq 0.75 \text{ mm}^2$ (AWG 20)
Cable diameter	4–8 mm

Electrical data (at $T_{amb} 20 \text{ °C}$)

Contact resistance	$\leq 5 \text{ m}\Omega$
Rated current	5 A ($T_{amb} 40 \text{ °C}$)
Rated voltage	60 V
Rated impulse voltage	1000 V
Insulation resistance	$> 100 \text{ M}\Omega$

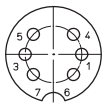
Associated products

Counterparts		
☞ 0314	☞ 0314-1	☞ 0314-2
☞ 0315	☞ 0315-1	☞ 0315-1 U
☞ 0315-2	☞ 0316	☞ 0316-1
☞ 0316-2	☞ 0317	☞ 0317-1
☞ 0317-2	☞ 031798-1	☞ 031798-2
☞ 031799-2	☞ 0318	☞ 0318-1
☞ 0318-2	☞ 0331	☞ 0332
☞ 0332-1	☞ 033200	☞ 0365
☞ 036500		

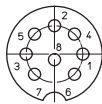


*d

0322-1 05-3



0322-1 06-1



08-a

0322-1 08-1

Accessories

- ☑ 0322 C 16
- ☑ 038799

☑ 0381

☑ 038199

- *a flat gasket
- *c shielding
- *d pin configuration according to AISG C485

03

0322-1

Designation	Pole Number	PU (Pieces)	MDQ (Pieces)
0322-105-3	5	50	100
0322-108-1	8	50	100

Packaging:

sets of individual parts in plastic bags, in a cardboard box