

LED Module Specifications

PRODUCT SPECIFICATION

Model No.: FYLM-2828UWC-01-16-12V-W

Applications:
<ul style="list-style-type: none"> ■ Channel Letters ■ Lighting source for shop windows ■ Indoor Decoration Lighting ■ Advertising Signs ■ Replacement for Neon



CUSTOMER APPROVED SIGNATURES	APPROVED BY	CHECKED BY	PREPARED BY

NINGBO FORYARD OPTOELECTRONICS CO.,LTD.

Add: NO.115 Qixin Road Ningbo Zhejiang China

Zip: 315042

Tel: 0086-574-87933652 87927870 87922206

Fax: 0086-574-87927917

E-mail: Sales@foryard.com (General)

[Http://www.foryard.com](http://www.foryard.com)

Model No.: FYLM-2828UWC-01-16-12V-W

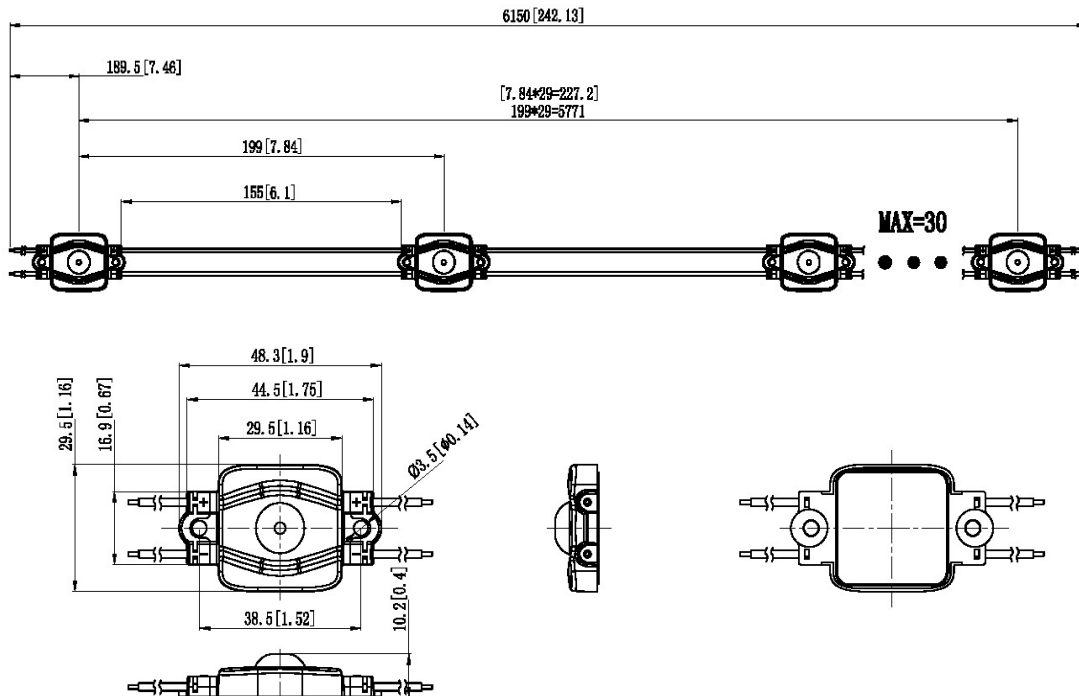
■ Photo



■ Features

1. High luminous efficacy 2828 SMD LED mounted
2. Maximum module quantity per string up to 30pcs for single-end power feed product, 50pcs for double-end power feed product
3. Over-molded housing design and lens technology
4. Uniform light with constant current technology
5. Certification: CE, RoHS, UL94 V-0

■ Profile Drawings



Notes:

1. All dimensions are millimeters.
2. Tolerance is ± 1 mm unless otherwise specified.
3. Specifications are subject to change without notice.

Model No.: FYLM-2828UWC-01-16-12V-W

Rating Electrical/Optical Characteristics(1 PCS)

Item	White
Color Temperature(K)	6000
Wavelength(nm)	
Luminous Flux(lm/piece)	56
CRI	≥75
Luminous Efficiency(lm/W)	80
Working Voltage (V)	DC12
Beam Angle (°)	160
Working Current	58
Power(W/piece)	0.7
net weight:(g)	12.2
LED Quantity(pcs)	1
Dimension:(mm)	48.3*29.5*10.2
Life Time(hrs)	13000
Operation Temperature(°C)	-25~+60
IP Grade	IP 66
Approval	CE (NO: E8 06 01 57489 001)

Rating Electrical/Optical Characteristics(30 PCS)

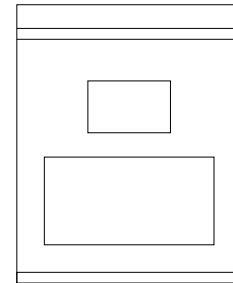
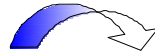
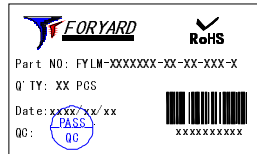
LED Color	White
Power Dissipation	21W
Total Length	6.15m±0.1m
Input Current(mA)	1740
Weight	366g

1. Testing environment temperature: 25±2°C
2. The above data are typical values; the actual data of each single product could differ from the typical value. The data subject to change without prior notice.

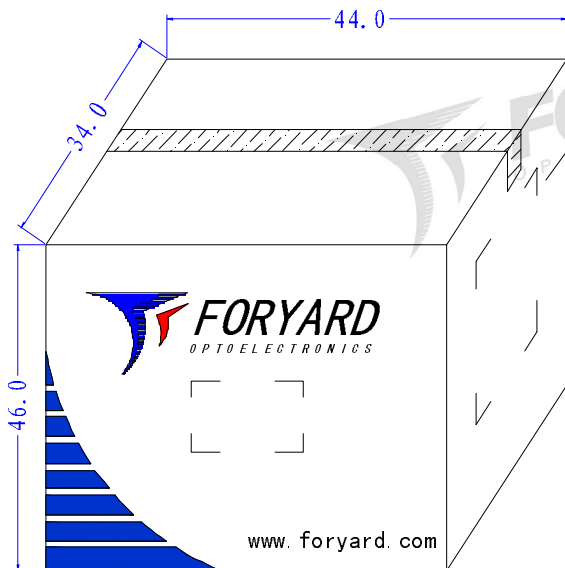
Model No.: FYLM-2828UWC-01-16-12V-W

Package(5 meters)

The backsides of all products will stick '3M' branded double-sided sticker with 10mm width.

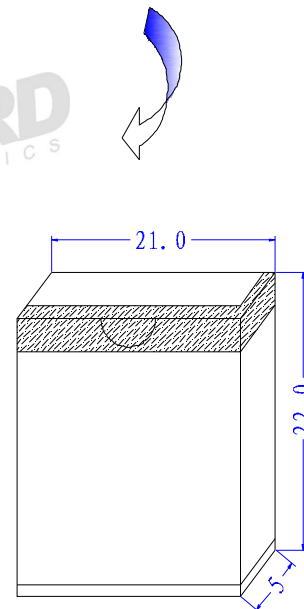
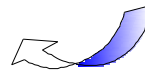


XPCS/Polybag



24Boxes/Carton

OUTSIDE LABEL



xPolybags/Box



OUTSIDE LABEL

Note: The specifications are subject to change without notice. Please contact us for updated information.