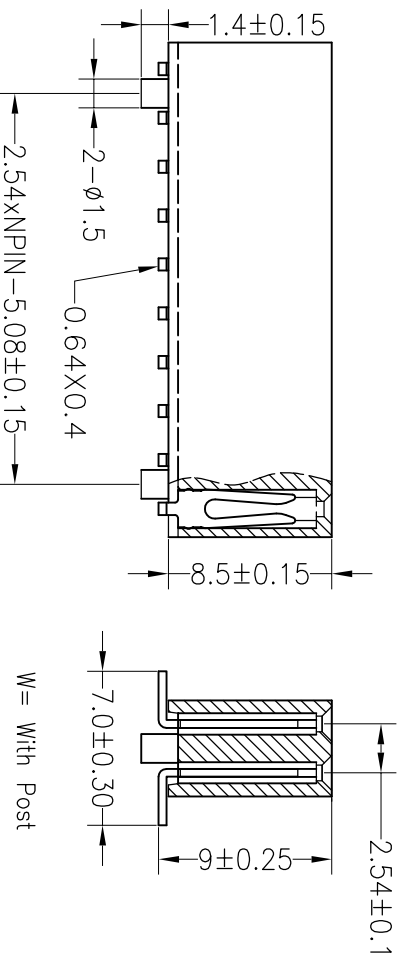
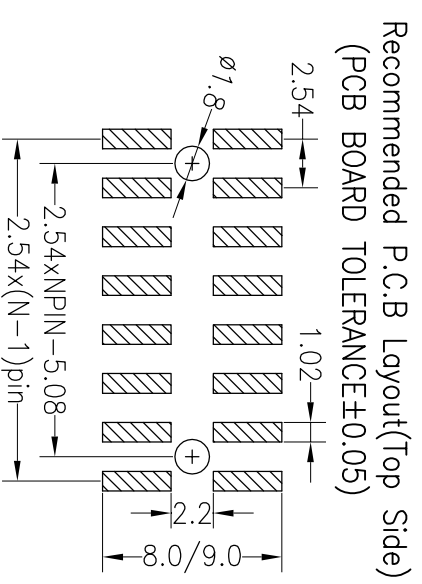
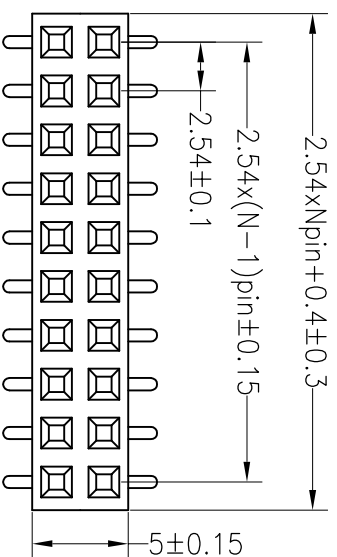


RoHS

SPECIFICATIONS

Rated Current:3.0AMP
 Contact Resistance:20mΩ Max
 Withstand Voltage:1000V AC/DC
 Insulation Resistance:1000MΩ Min
 Operation Temperature:-40°c to +105°c

Contact Material:Brass
 Contact Plating:Au Over Ni
 Insulator Material:Polyester(UL94V-0)
 Standard: PA6T
 Max.Processing Temp: 230°C for 30-60 seconds
 (260°C for 10 seconds)



OPERATION		DRAW		SCALE		FIT		深圳市连盛精密连接器有限公司 PART NO. FH-00012 TITLE: 2.54FH H8.5mm 2x25pin SMT Y端	
X.X	±0.30	CHECK		UNIT	mm	A4			
X.XX	±0.20	APPROVE		SIZE	A4	1/1			
X.XXX	±0.10	CHANGE		SHEET	1/1	PROJ.			
Angle	±3°	DIM		TOL					
REV	DATE	MODIFICATION DESCRIPTION		CHANGE					
1		1		2		3		4	
A0		2012.03.28		NEW DRAWING					
A		1		2		3		4	