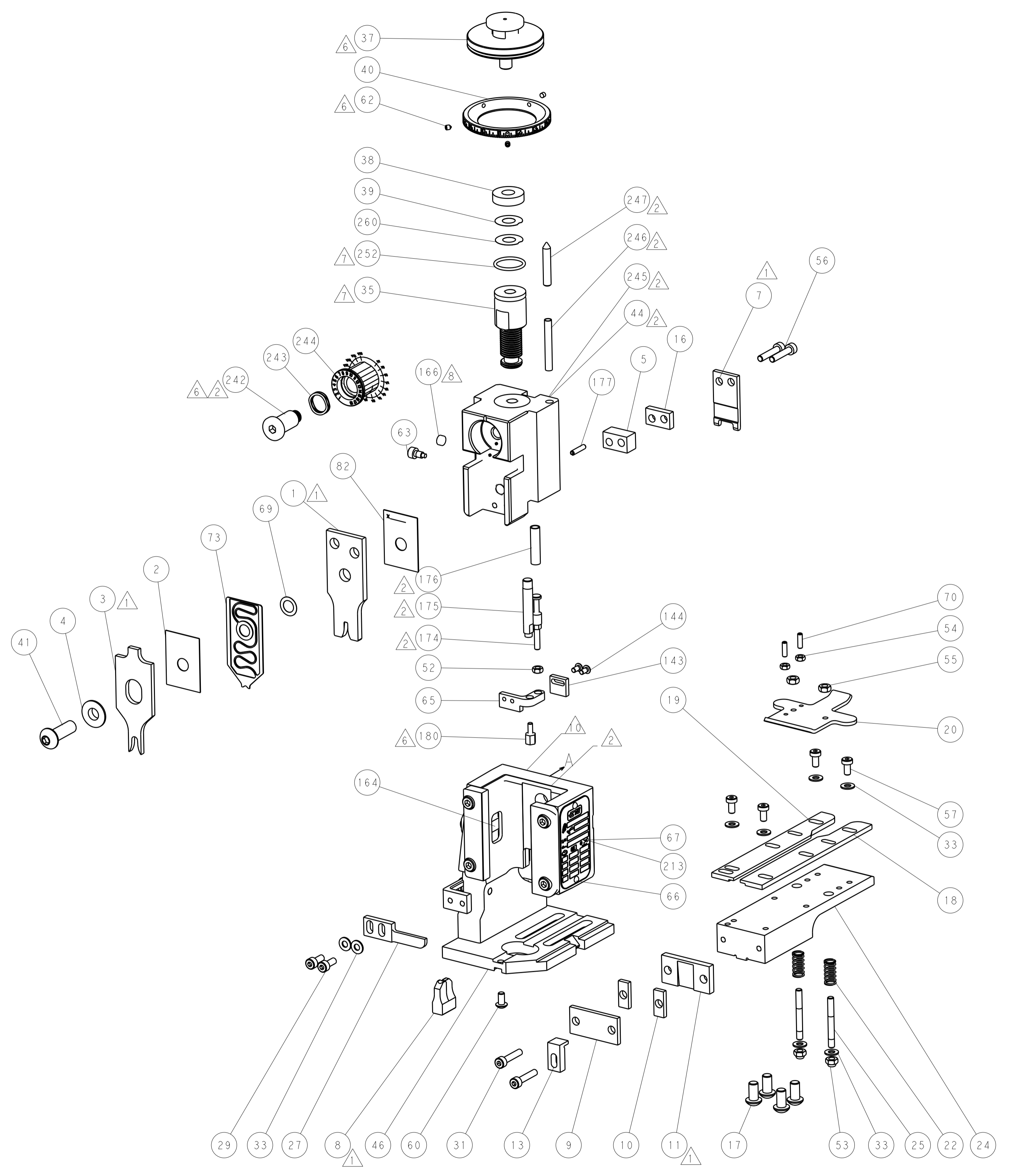
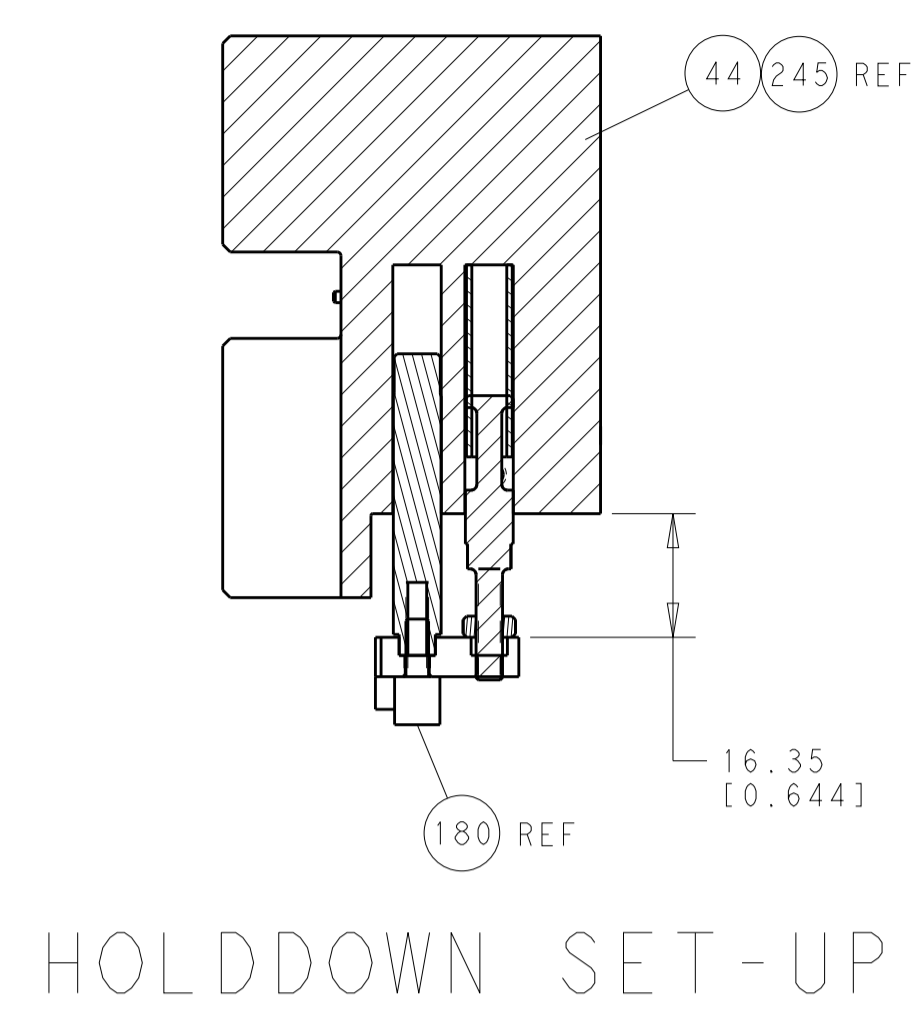


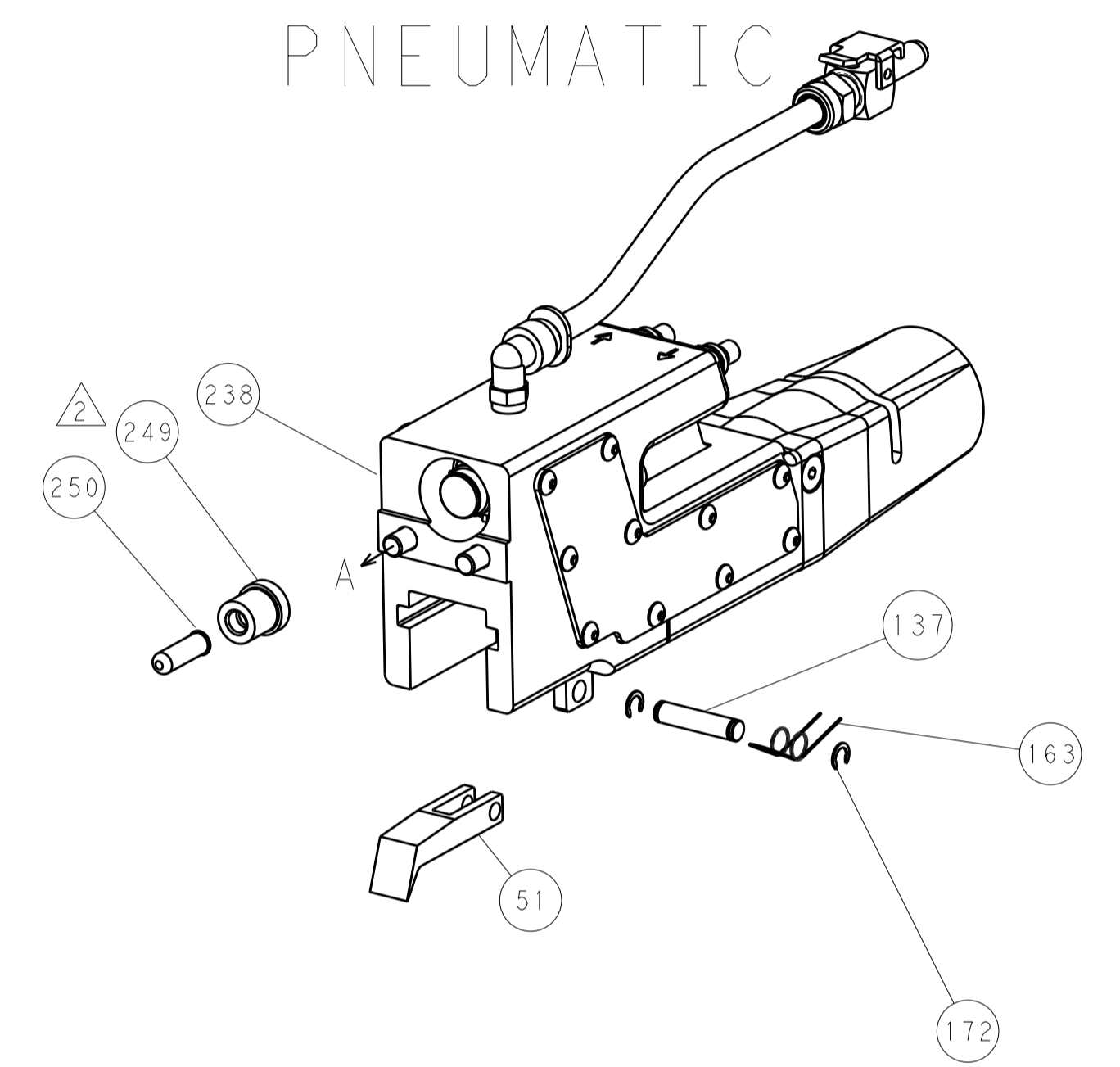


LOC		DIST		REVISIONS			
A	66	P	LTM	DESCRIPTION	DATE	OWN	APVD
		-	-	SEE SHEET 1	-	-	-

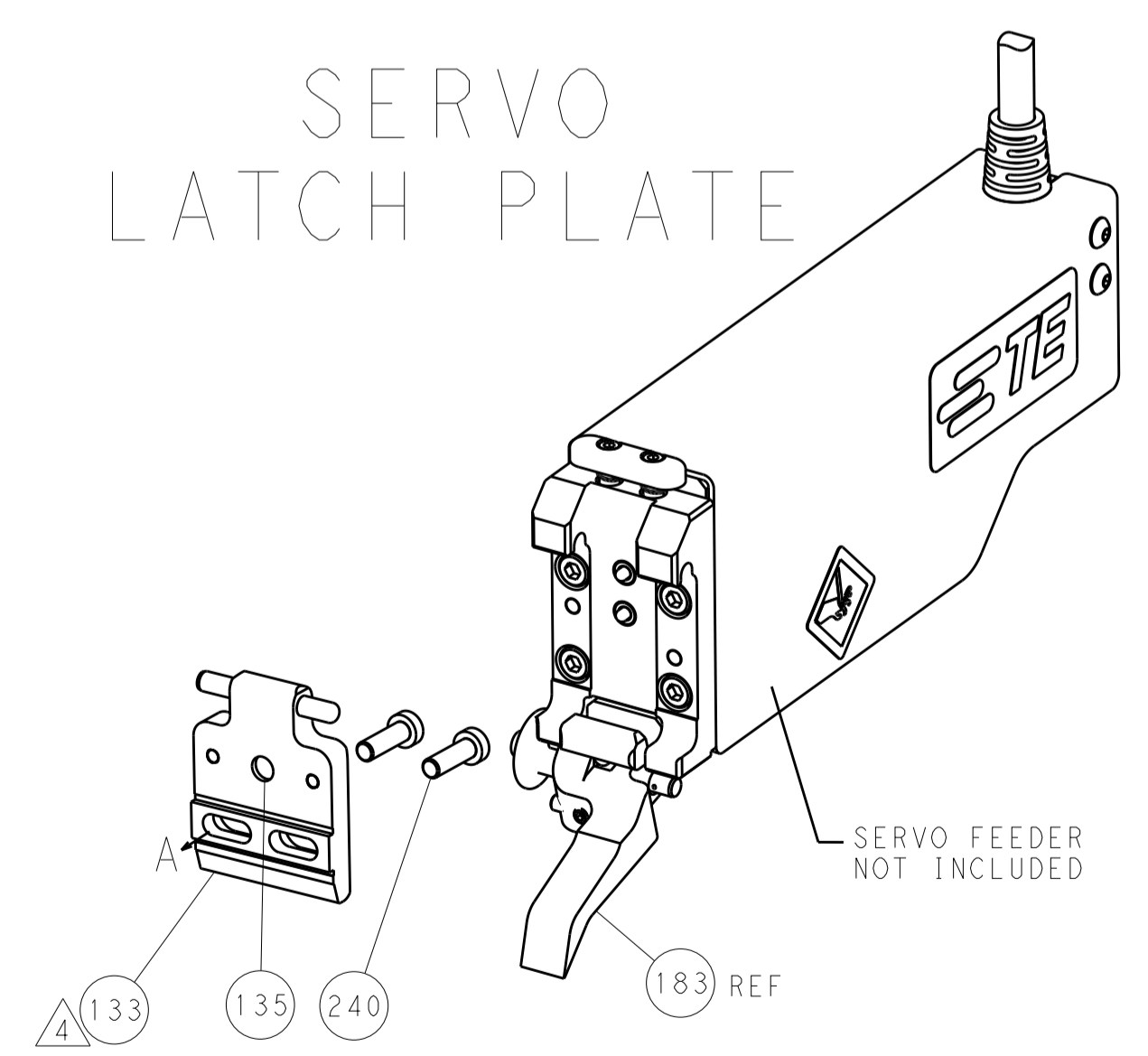


FEED TYPE

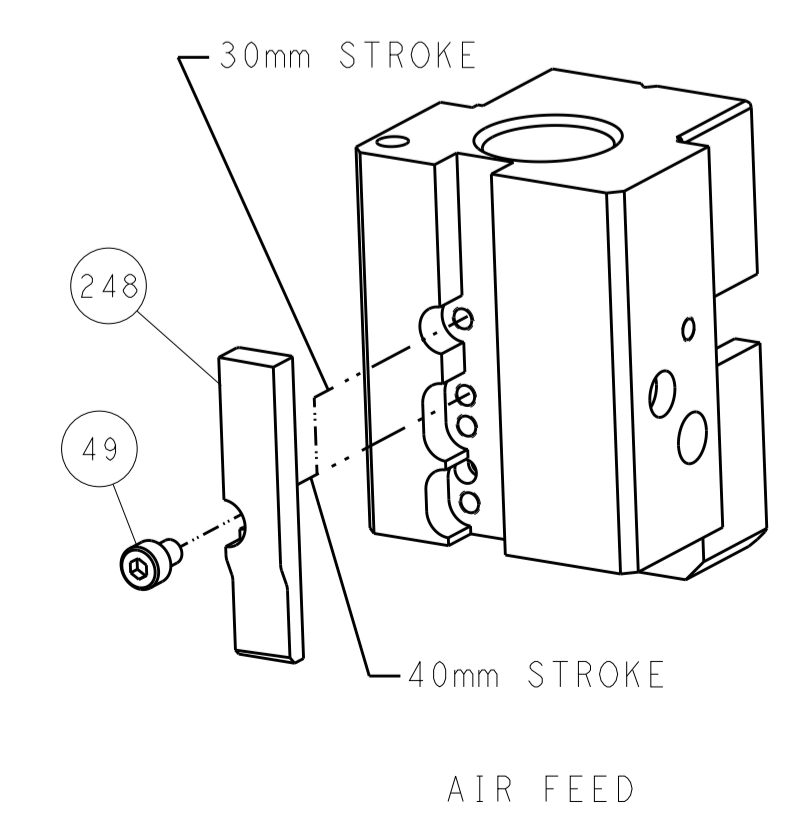
PNEUMATIC



SERVO LATCH PLATE



CAM POSITION

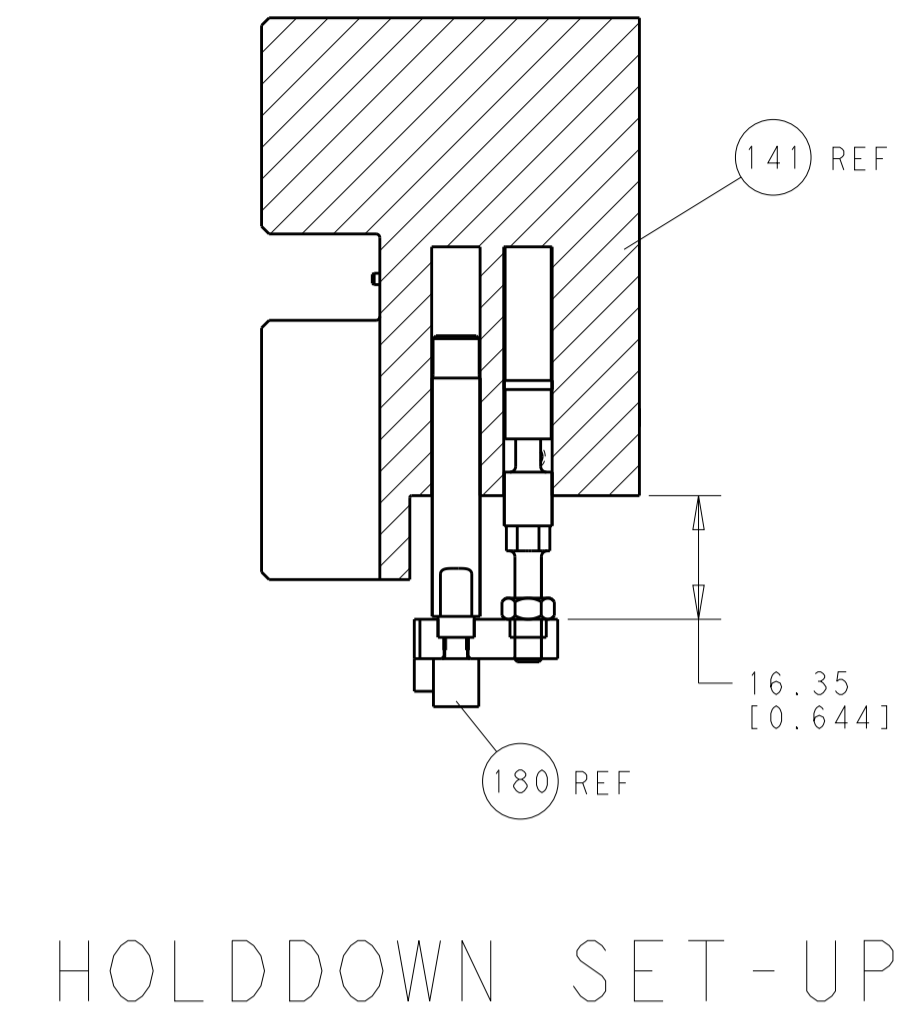


**ATLANTIC VERSION**  
 Shown on sheets 1 of 4 & 2 of 4  
 (Pacific version shown on sheets 3 of 4 & 4 of 4)

DIMENSIONS:		TOLERANCES UNLESS OTHERWISE SPECIFIED:		OWN: B. WEAVER 23DEC2014		TE Connectivity	
mm		0 PLC ±0.5		CHK: G. BAILEY 23DEC2014		Harrisburg, PA 17105-3608	
Ø		1 PLC ±0.13		APVD: G. BAILEY 23DEC2014		NAME: Ocean End Feed Applicator	
FINISH:		2 PLC ±0.013		PRODUCT SPEC:		SIZE: CAGE CODE: DRAWING NO:	
MATERIAL:		3 PLC ±0.001		APPLICATION SPEC:		RESTRICTED TO:	
		ANGLES ±0.0001		WEIGHT:		A1 00779 ©=2150522	
				Customer Accessible Production Drawing		SCALE: 1:1 SHEET 2 OF 4 REV A	

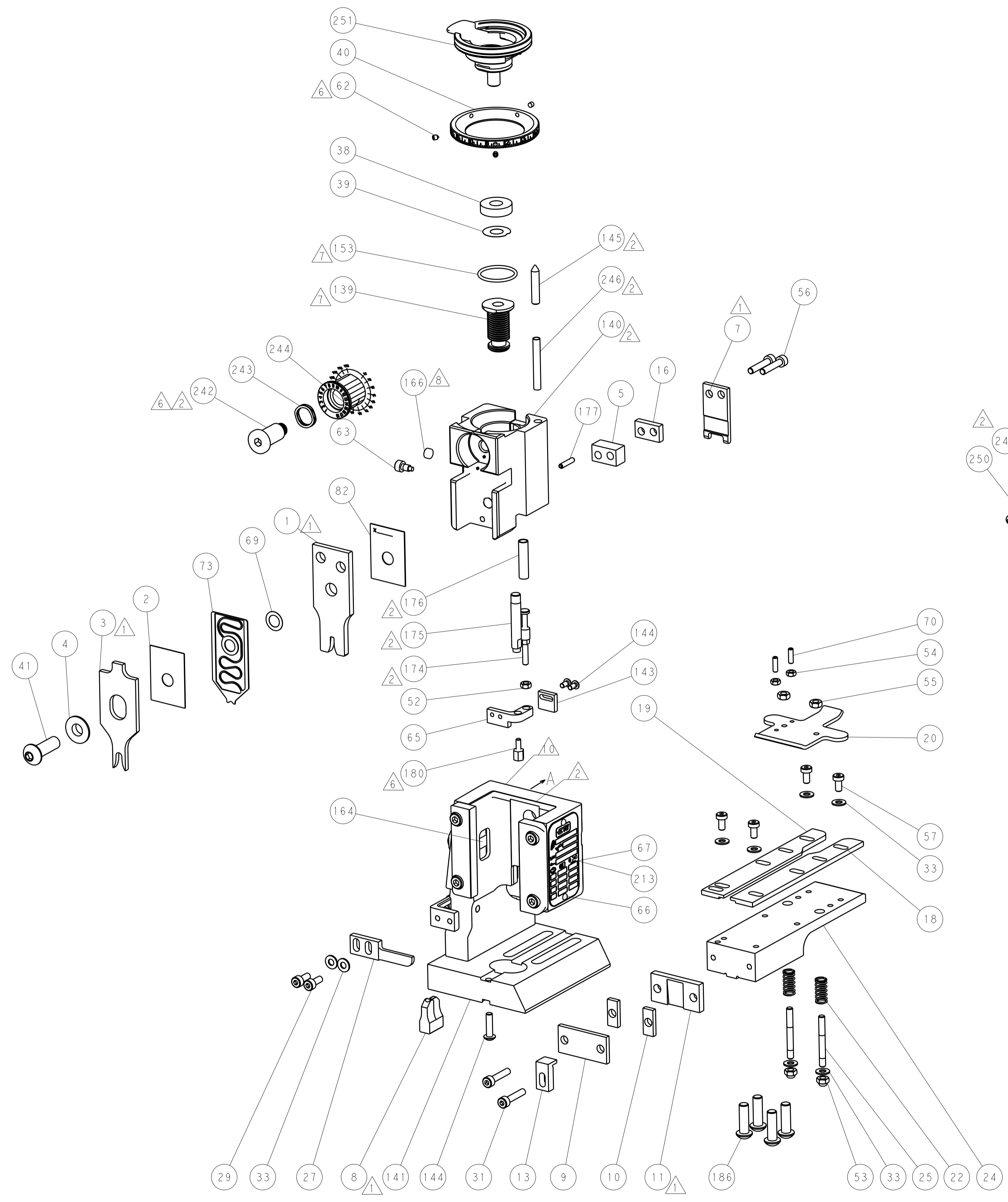
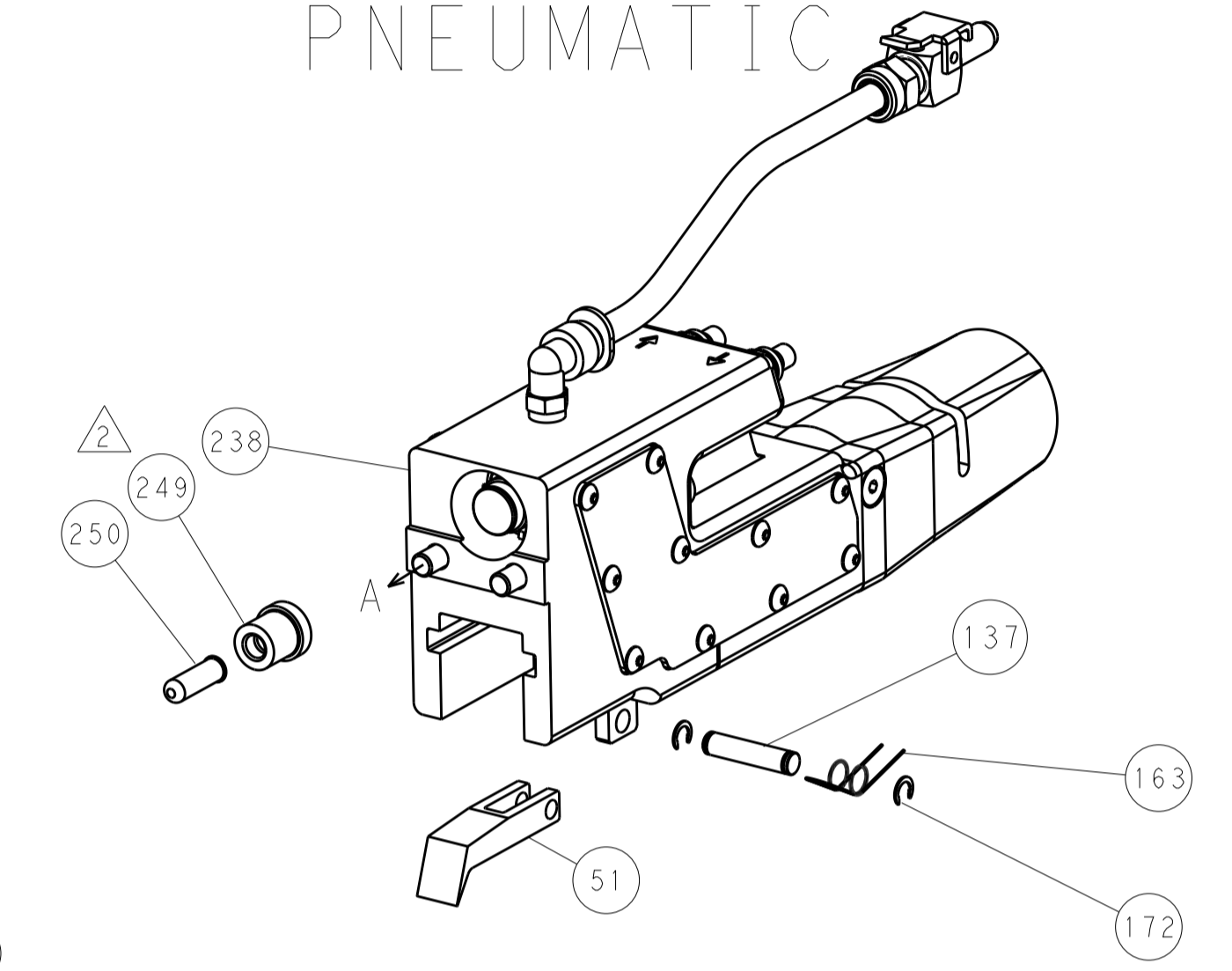


LOC	DIST	REV	DATE	BY	APPV
A	66				
REVISIONS			DESCRIPTION	DATE	DWN
-			SEE SHEET 1	-	-

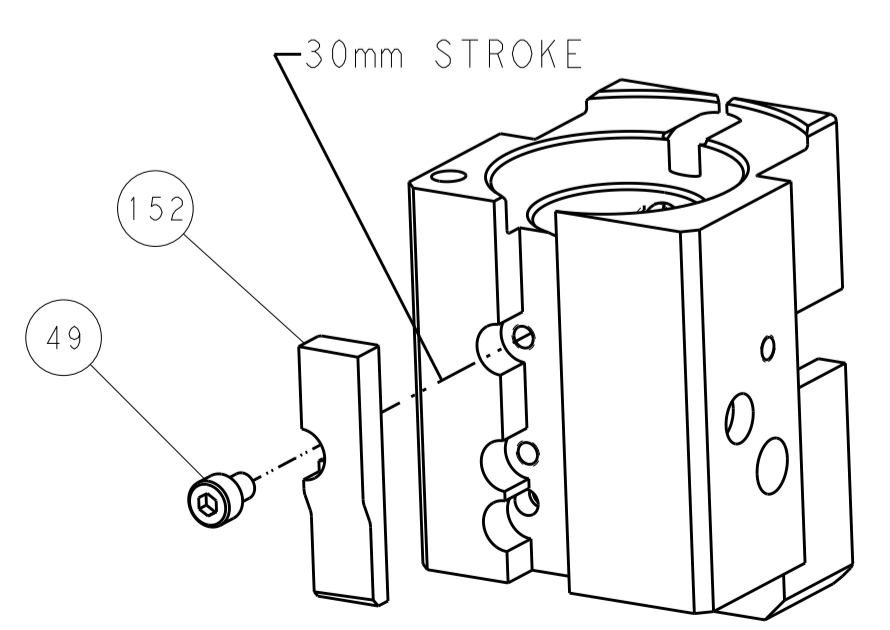


FEED TYPE

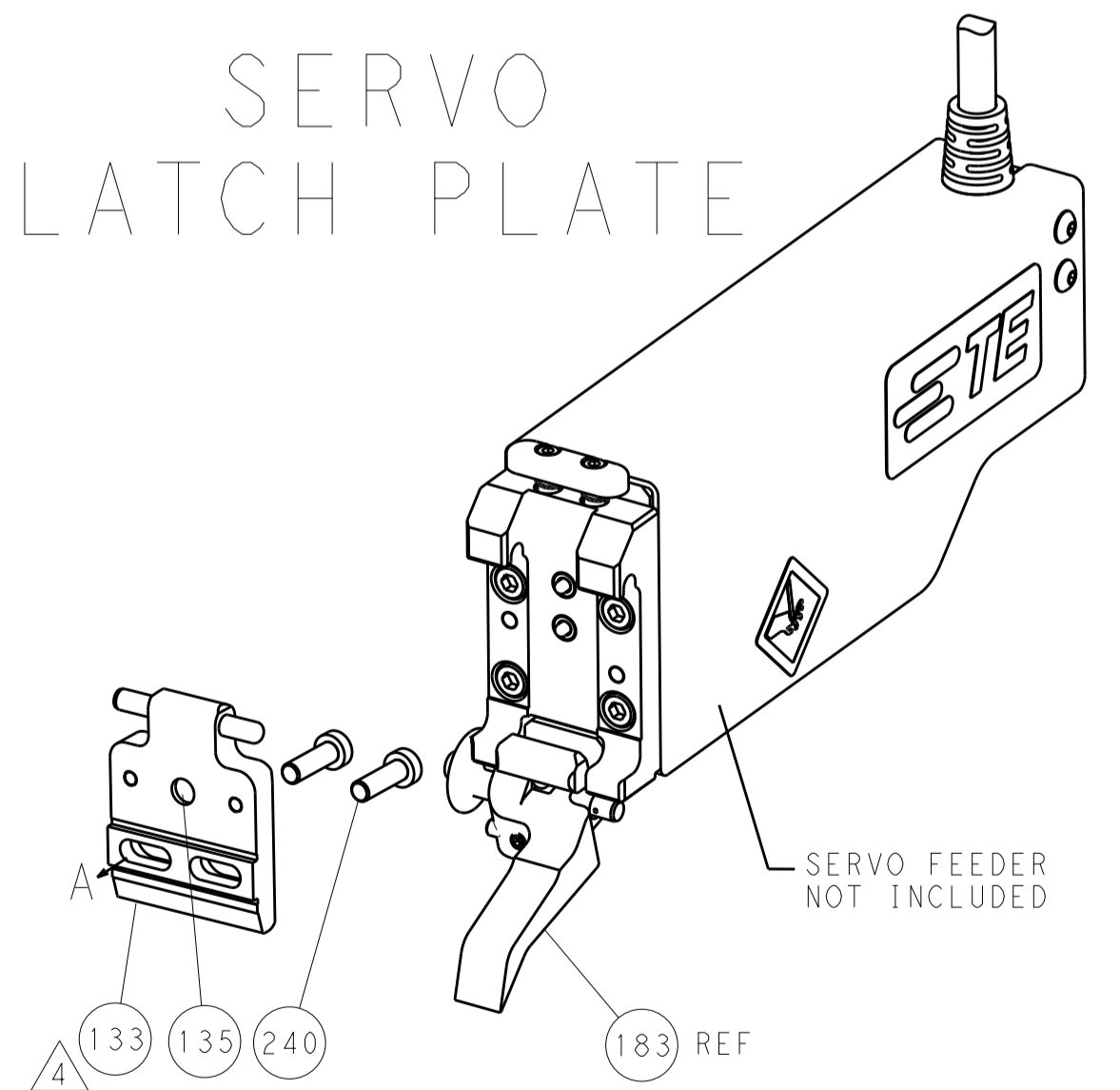
PNEUMATIC



CAM POSITION



SERVO LATCH PLATE



PACIFIC VERSION  
 Shown on sheets 3 of 4 & 4 of 4  
 (Atlantic version shown on sheets 1 of 4 & 2 of 4)

DIMENSIONS:		TOLERANCES UNLESS OTHERWISE SPECIFIED:		DWN: B. WEAVER 23DEC2014		STE TE Connectivity	
mm	0 PLC ±0.5	1 PLC ±0.5	2 PLC ±0.13	3 PLC ±0.013	4 PLC ±0.001	5 PLC ±0.001	Harrisburg, PA 17105-3608
MATERIAL:	FINISH:	WEIGHT:	SCALE:	APVD: G. BAILEY 23DEC2014	NAME:	Customer Accessible Production Drawing	RESTRICTED TO:
			1:1	PRODUCT SPEC:	Ocean End Feed Applier		
				APPLICATION SPEC:			
				WEIGHT:	SIZE: A1	CAGE CODE: 00779	DRAWING NO: 2150522
				WEIGHT:	SHEET: 4	OF: 4	REV: A