



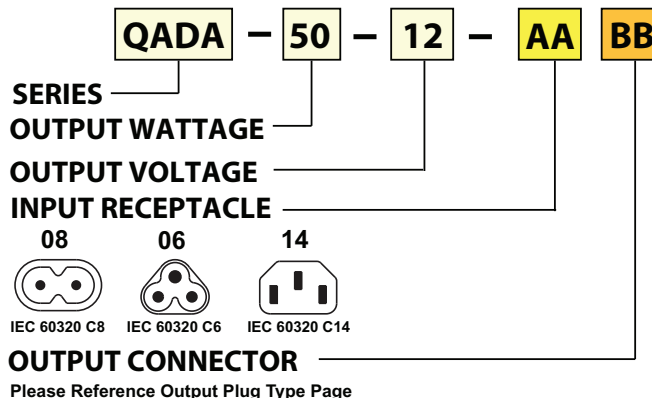
**Features:**

- Universal AC input/ Full Range
- Energy Efficiency Level VI
- ErP Step 2 Compliant
- NRCan and GEMS Compliant
- Output Protections: OVP/SCP/OC
- No Load Power Consumption <0.21W
- 1 Year Warranty

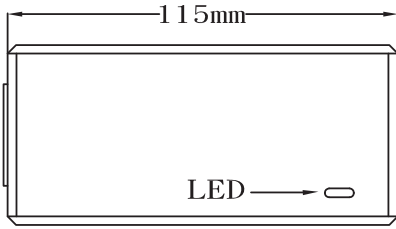


Model	QADA-50-9	QADA-50-12	QADA-50-13.5	QADA-50-15	QADA-50-18	QADA-50-19	QADA-50-24	QADA-50-48
<b>Output Characteristics</b>								
DC Output	9V	12V	13.5V	15V	18V	19V	24V	48V
Rated Current	5.0A	4.20A	3.71A	3.34A	2.78A	2.64A	2.10A	1.05A
Ripple and Noise	±2% Vo @ Rated Load							
Load Regulation (Typ.)	±5%							
Transient Response (Typ.)	0.5mS for 50% Load Change							
Hold-up Time (Typ.)	10mS @ Rated Load							
Output Protection	Short Circuit, Over Voltage, Over Current							
Ferrite Core	Yes							
<b>Input Characteristics</b>								
Voltage Range	100VAC~240VAC							
Frequency Range	50Hz-60Hz							
Efficiency	DoE Level VI, Energy Star, ErP Step 2, NRCan & GEMS Level VI Certified							
AC Current (max)	1.2A							
Input Protection	Internal Primary Current Fuse, Inrush Limiting							
Leakage Current	0.25mA (2 Conductor), 3.5mA (3 Conductor)							
<b>Environmental Characteristics</b>								
Operating Temperature	0°C~40°C							
Operating Relative Humidity	20% RH to 80% RH							
Storage Temperature	-20°C~80°C, 10% RH to 90% RH							
Topology	Switching Flyback							
Dielectric Withstand	3000VAC Primary-Secondary							
EMI Conduction & Radiation	Compliance to EN55022 Class B							
Harmonic Current	Compliance to EN61000-3-2, 3							
EMS Immunity	EN61000-4-2, 3, 4, 5, 6, 8, 11							
<b>Characteristics</b>								
MTBF	300,000Hrs (25°C, Telecordia SR-332)							
Dimension (LxWxH)	115x53x38mm							
Weight	278g							

**PART NUMBER SYSTEM**

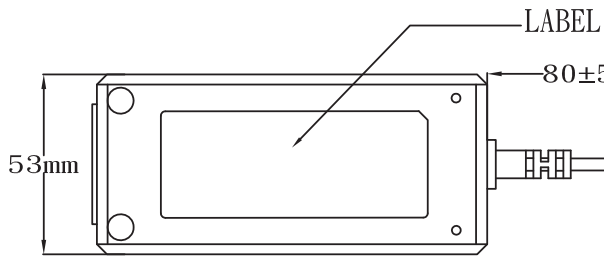


### MECHANICAL SPECIFICATIONS

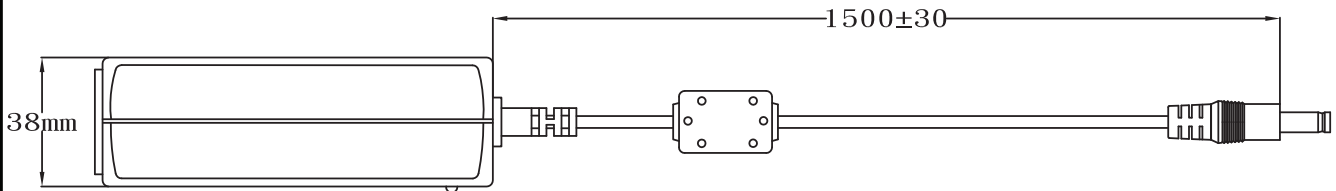


TOP-VIEW

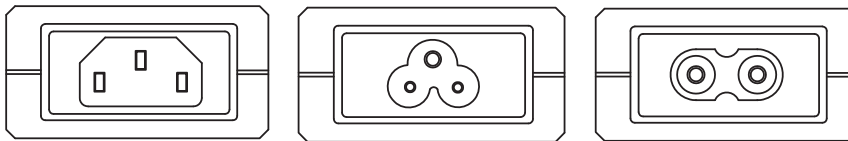
UL2468 16AWG for 9V  
UL2468 18AWG for 12~24V  
UL2468 20AWG for 48V



BOTTOM-VIEW

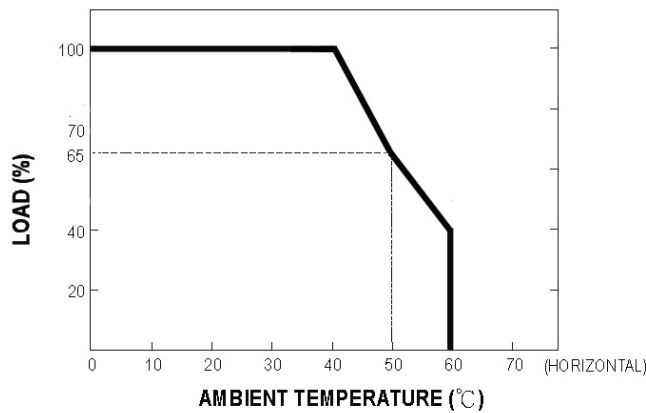


SIDE-VIEW



FRONT-VIEW

### DERATING CURVE



UNIT: mm