

6

5

4

3

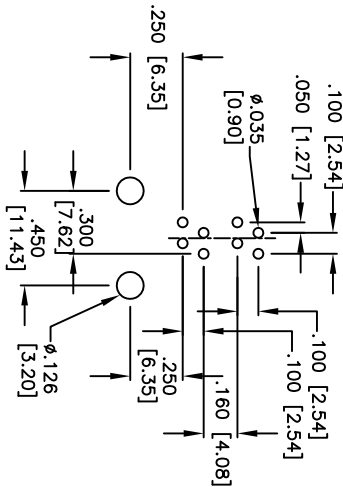
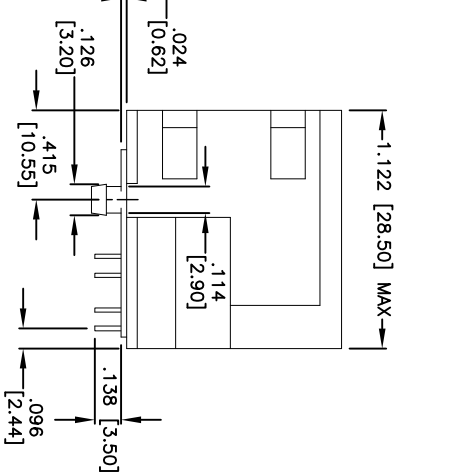
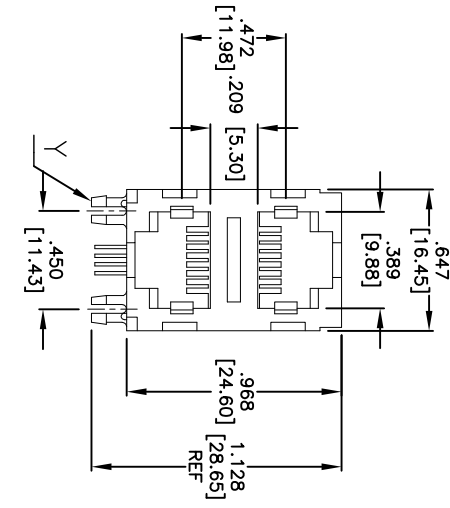
2

1

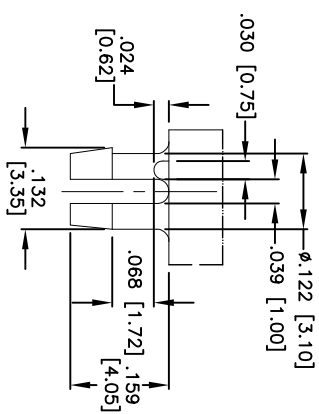
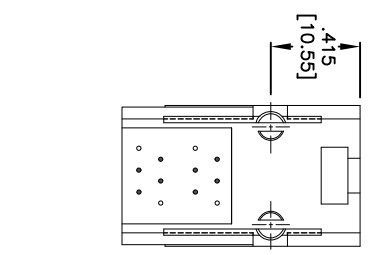
APPROVED: _____

DATE: _____ TITLE: _____

| Rev | AWO # | Description | Date | Appr |
|-----|-------|---------------|----------|------|
| - | | RELEASED | 3/19/08 | |
| A | | REDRAWN | 10/26/11 | |
| B | | REVISED SPEC. | 12/20/11 | |



RECOMMENDED PCB LAYOUT



DETAIL Y

SPECIFICATIONS:

Material:

Insulator: PBT, glass fiber, rated UL 94V-0

Insulator color: Black

Contacts: Phosphor Bronze

Plating:

Gold over Nickel underplate on contact area, Tin over Copper underplate on PCB tails.

Electrical:

Operating voltage: 150 VAC max

Current rating: 1.5 Amps max

Contact resistance: 20 mohms max

Insulation resistance: 500 Mohms min @ 500 VDC

Dielectric withstanding voltage: 1000 VAC for 1 minute

Temperature Rating:

Operating temperature: -40°C to +125°C

Environmental:

Lead free, RoHS compliant.



UNLESS OTHERWISE SPECIFIED
ALL DIMENSIONS ARE INCHES [MM]
TOLERANCES: EXCEPT AS NOTED

| INCHES | HOLES |
|-------------|--------------|
| .X ± .10 | Ø.X ± .10 |
| .XXX ± .020 | Ø.XXX ± .015 |
| .XXX ± .015 | Ø.XXX ± .010 |

APPROVALS

| DATE | DATE |
|------|------|
| | |

ADAM TECH

909 Railway Avenue, Union, NJ 07083
Phone: 908-687-5000 Fax: 908-687-5710

TITLE: 2 PORT GANGED STACKED JACK

6P4C

| SIZE | PART NO. | REV. |
|------|--------------|------|
| X | MTJG-2-64JX1 | B |

| APPROVED | SS | DATE | SCALE | SHEET |
|----------|----|---------|-------|--------|
| | | 3/19/08 | NTS | 1 OF 1 |

6

5

4

3

2

1