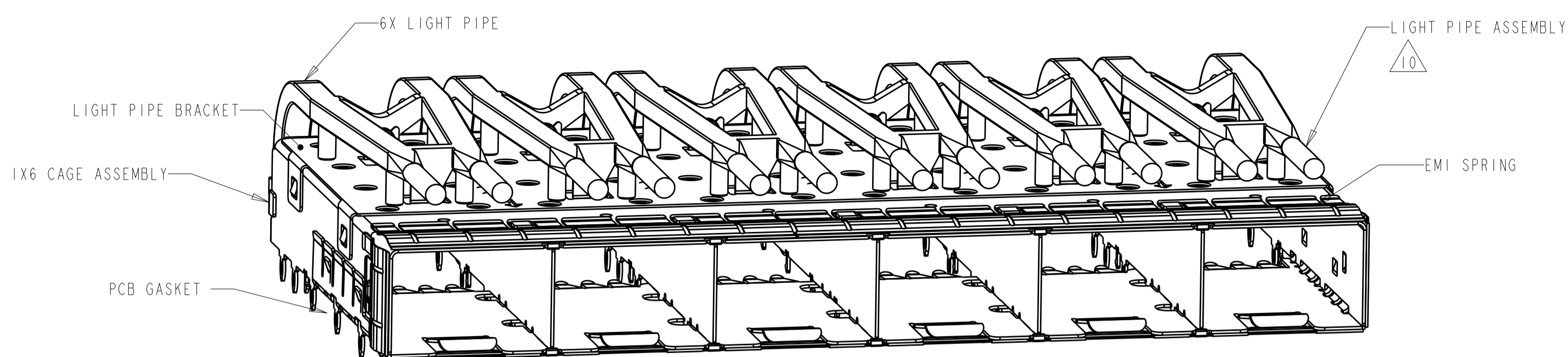
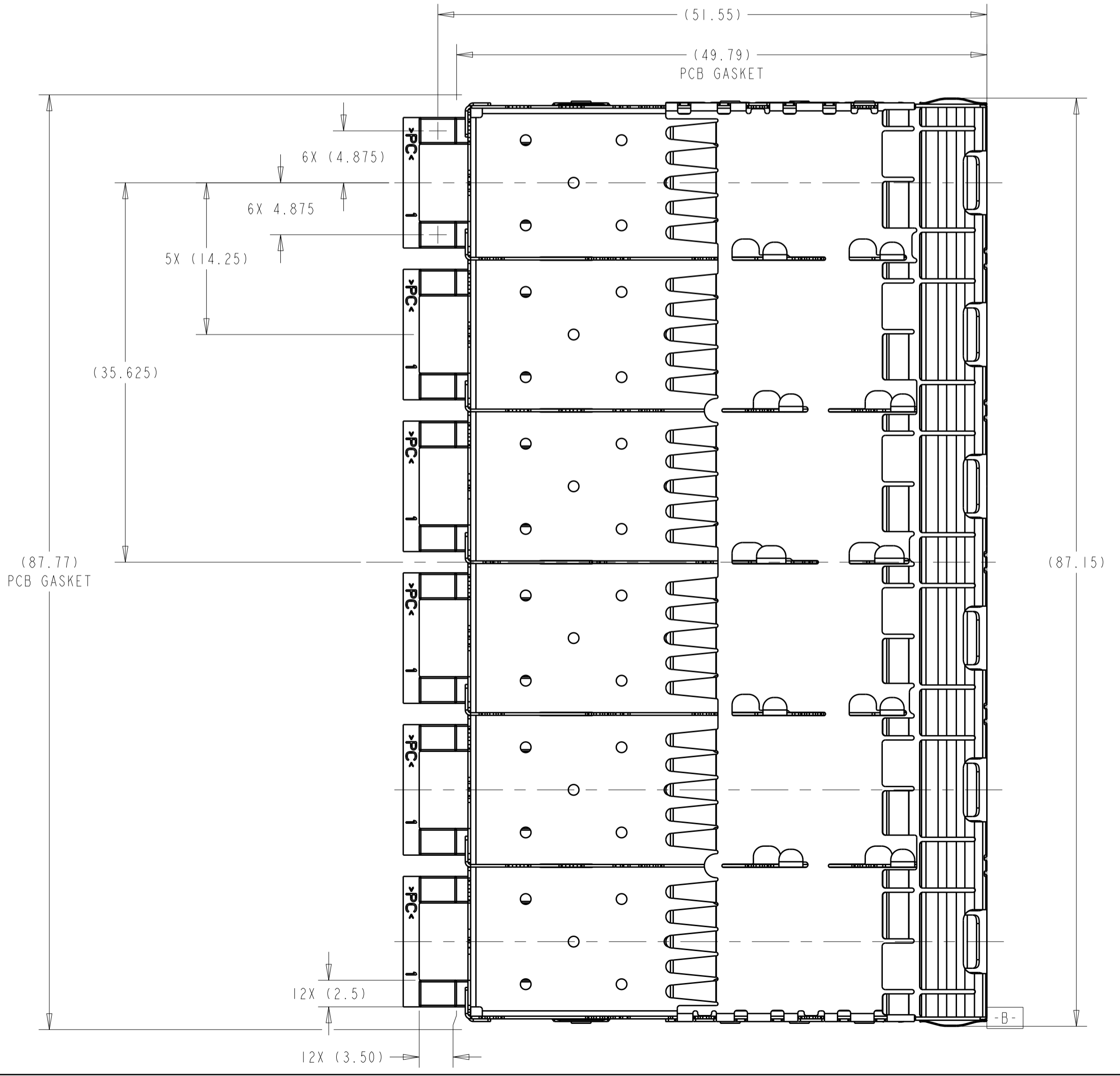
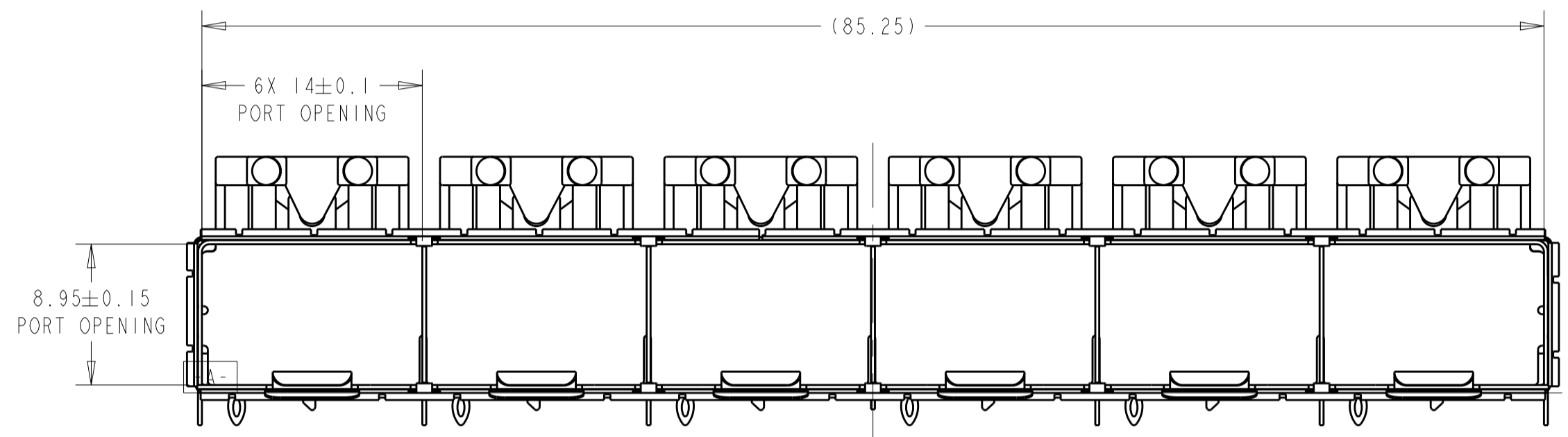
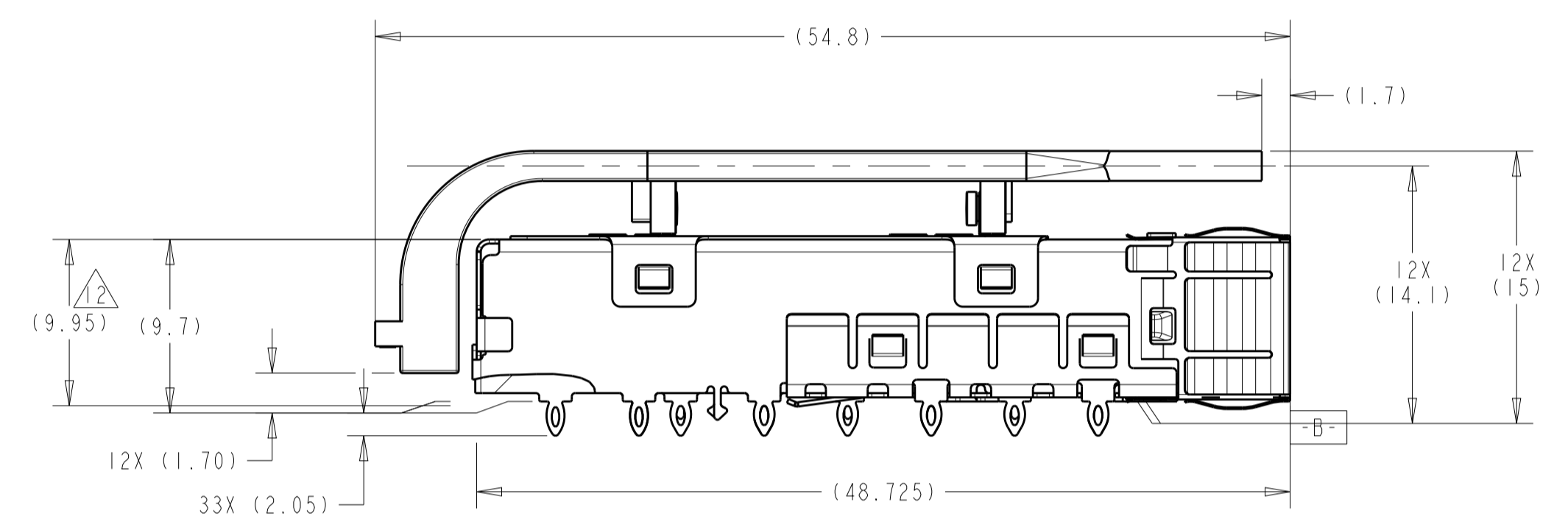


LOC		DIST		REVISIONS			
GP	00	P	LTH	DESCRIPTION	DATE	DWN	APVD
		A		REVISED PER ECO-15-002647	06MAR2015	AP	MS
		B		REVISED PER ECO-15-007912	29MAY2015	PP	SH



2227731-1
SCALE 3:1

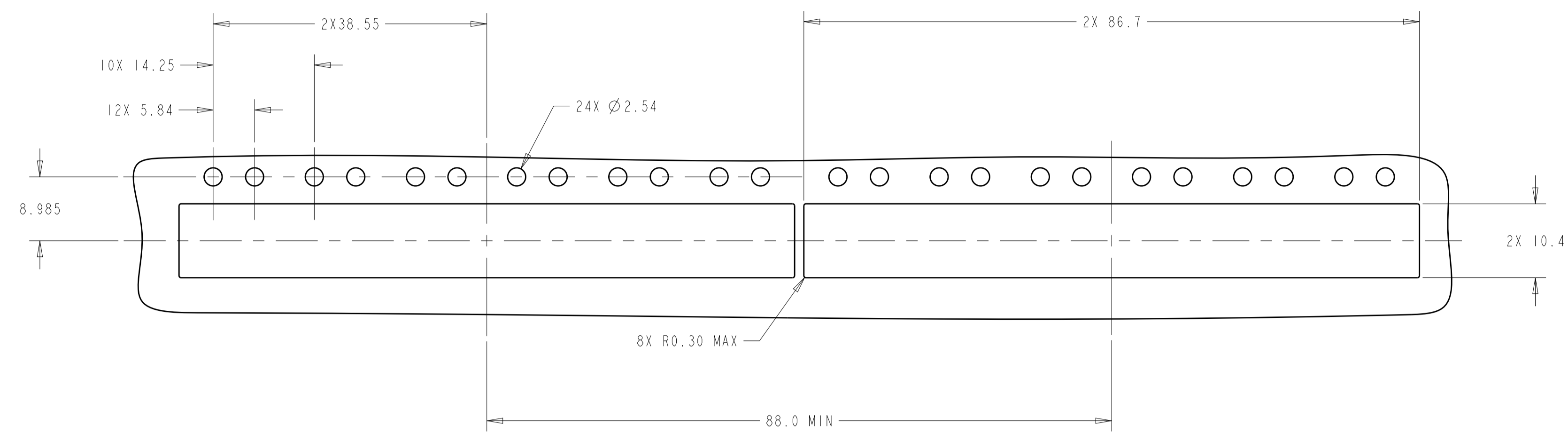
- 1. MATERIAL:
 CAGE ASSEMBLY: NICKEL SILVER ALLOY, (0.25mm)
 PCB GASKET: RF ABSORBER
 EMI SPRINGS: PHOSPHOR BRONZE
 LIGHT PIPE BRACKET: STAINLESS STEEL
 LIGHT PIPE: POLYCARBONATE, CLEAR
- 2. MINIMUM PC BOARD THICKNESS:
 SINGLE SIDE = 1.45mm
 BELLY TO BELLY = 2.25mm
- 3. PADS AND VIAS CHASSIS GROUND
- 4. DATUM AND BASIC DIMENSION ESTABLISHED BY CUSTOMER
- 5. MATES WITH SFP MSA COMPLIANT TRANSCEIVERS
- 6. INTERPRETATION OF DATUM REFERENCE FRAME IN ACCORDANCE WITH SECT 4.4.1.1 OF ASME Y14.5M-1994
- 7. REFERENCE APPLICATION SPEC. 114-13120, HOLE A, FOR RECOMMENDED DRILL HOLE DIAMETER AND PLATING THICKNESS
- 8. REFERENCE APPLICATION SPEC. 114-13120, HOLE B, FOR RECOMMENDED DRILL HOLE DIAMETER AND PLATING THICKNESS
- 9. HOLE PATTERN REPEATS FOR EACH PORT, SPACING BETWEEN PORTS IS 14.25mm
- 10. LIGHT PIPE ASSEMBLY SHIPPED UNASSEMBLED TO CAGE ASSEMBLY, CAGE ASSEMBLY TO BE PRESSED INTO THE PCB PRIOR TO ATTACHING LIGHT PIPE ASSEMBLY TO CAGE
- 11. PRODUCT COMPLIES WITH SPECIFICATION SFF-8433, IMPROVED PLUGGABLE FORM FACTOR FOR SFP+ GANGED CAGES
- 12. CONTACT STANDOFF WILL PIERCE GASKET WHEN PROPERLY PRESSED INTO PCB.



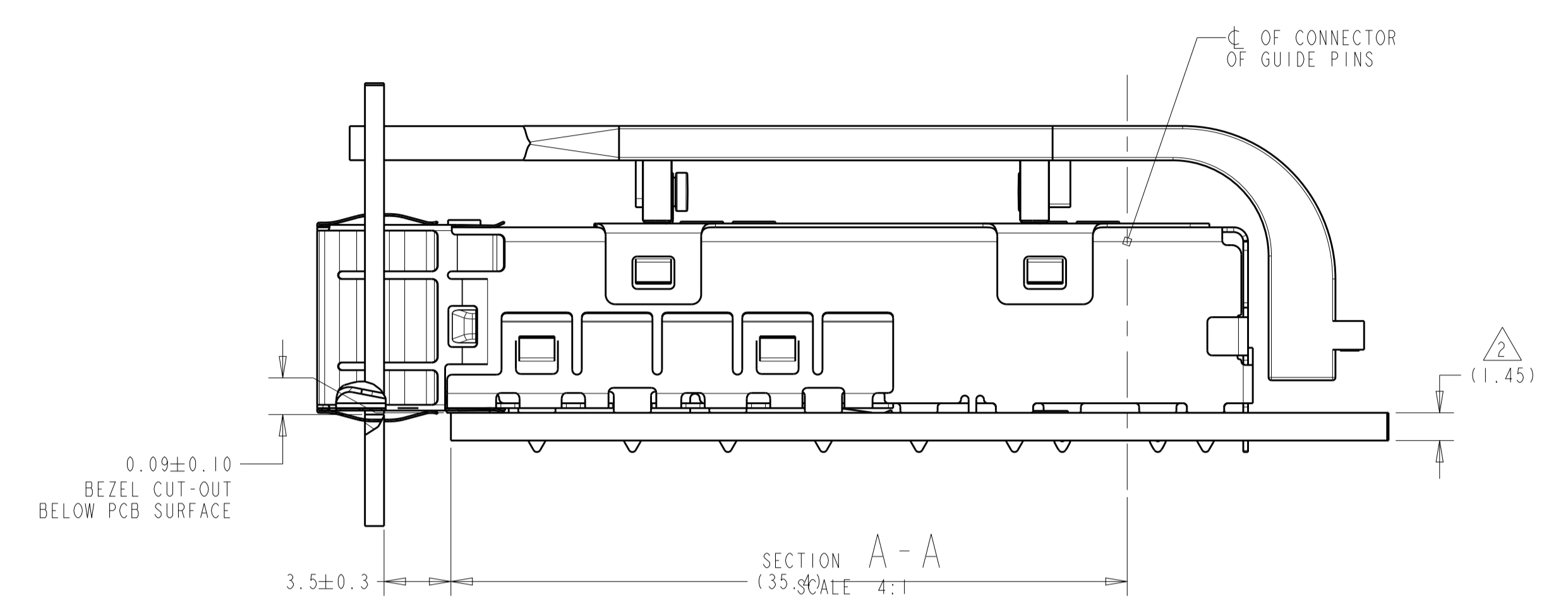
2227731-1
PART NUMBER

THIS DRAWING IS A CONTROLLED DOCUMENT. DIMENSIONING AND TOLERANCING PER ASME Y14.5M-2009		DWN: C. VALENTINE 08MAR2013 CHK: M. PHILLIPS 08MAR2013 APVD: M. PHILLIPS 08MAR2013	TE Connectivity	
DIMENSIONS: mm		NAME: CAGE ASSEMBLY WITH LIGHT PIPES, PRESS-FIT, EMI SPRINGS, 1X6, zSFP+		RESTRICTED TO
TOLERANCES UNLESS OTHERWISE SPECIFIED: 0 PLC ±0.1 1 PLC ±0.1 2 PLC ±0.08 3 PLC ±0.05 4 PLC ± ANGLES ±°		SIZE: A1	CAGE CODE: 00779	DRAWING NO: 2227731
MATERIAL: SEE NOTES		WEIGHT: -		Customer Drawing
FINISH: SEE NOTES		SCALE: 3:1		SHEET 1 OF 4 REV B

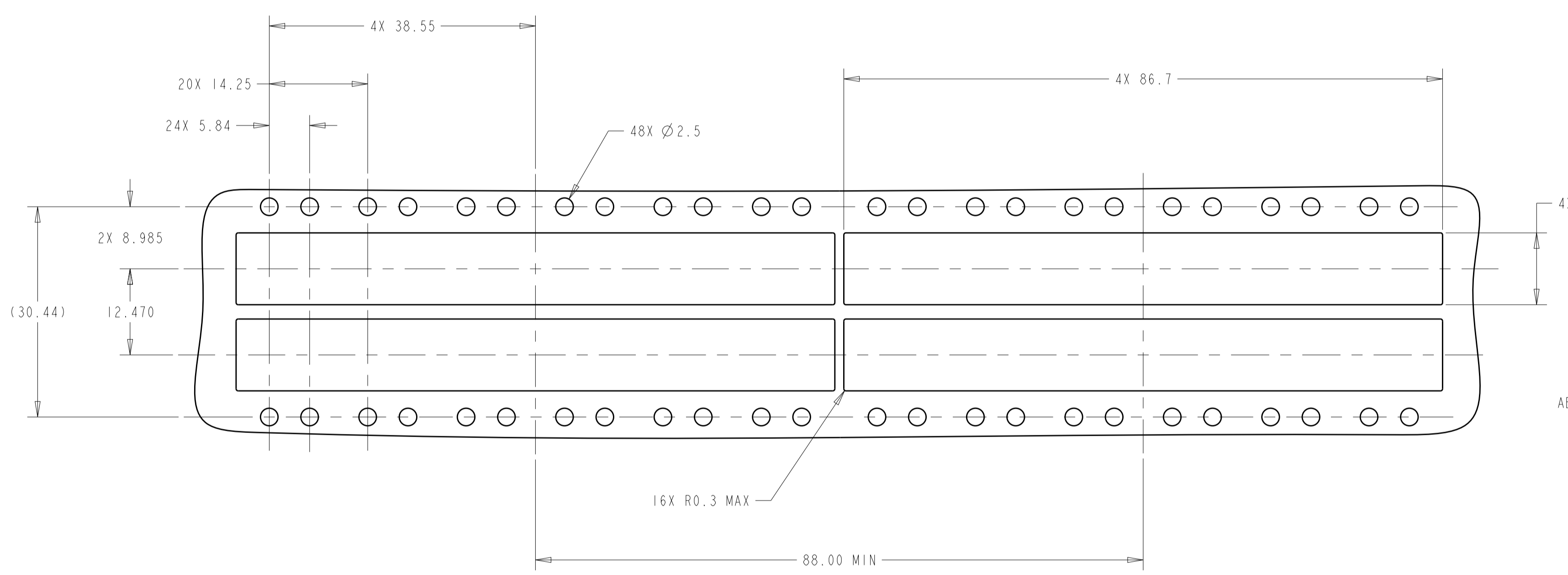
LOC	DIST	REVISIONS					
GP	00	P.	LTH	DESCRIPTION	DATE	DMN	APVD
-	-	-	-	SEE SHEET 1	-	-	-



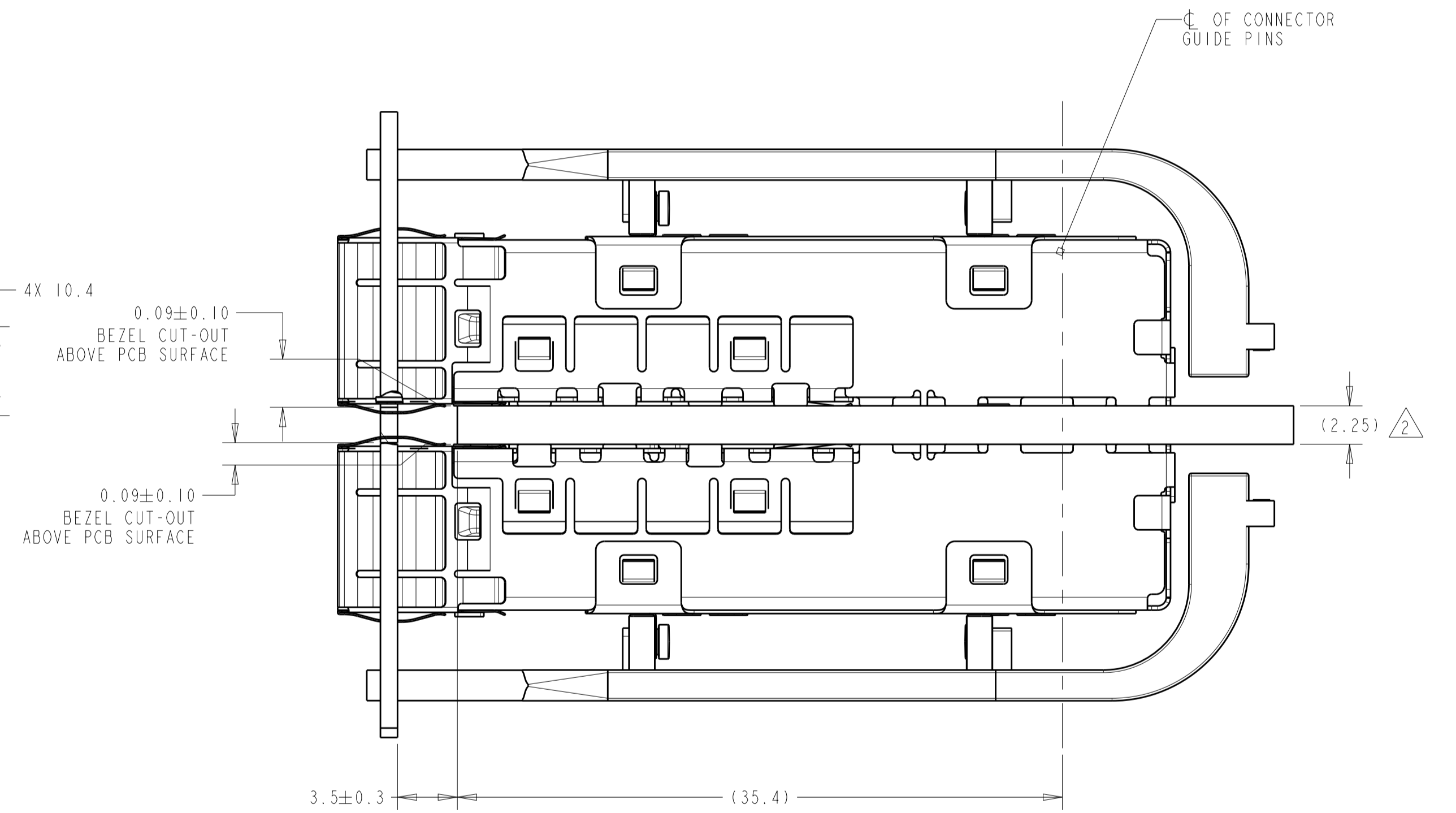
RECOMMENDED BEZEL OPENING
 SINGLE SIDED APPLICATIONS
 SCALE 2:1



MOUNTED ON PC BOARD
 SHOWN THRU RECOMMENDED BEZEL
 SCALE 4:1



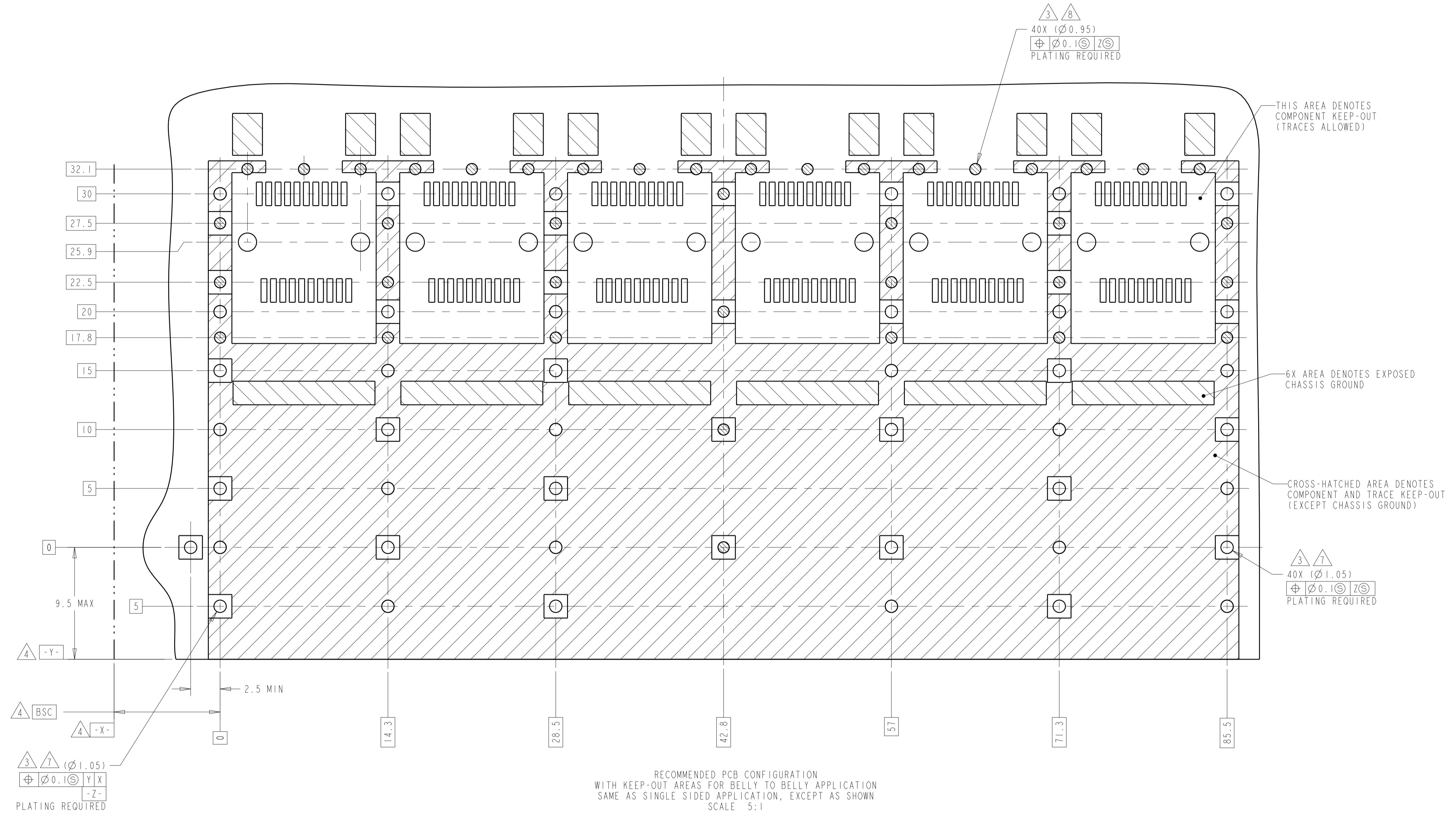
RECOMMENDED BEZEL OPENING
 BELLY TO BELLY APPLICATION
 SCALE 2:1



MOUNTED BELLY TO BELLY ON PC BOARD
 SHOWN THRU RECOMMENDED BEZEL
 SCALE 4:1

THIS DRAWING IS A CONTROLLED DOCUMENT. DIMENSIONING AND TOLERANCING PER ASME Y14.5M-2009		DMN C. VALENTINE 08MAR2013	TE Connectivity
DIMENSIONS: mm		CHK M. PHILLIPS 08MAR2013	
TOLERANCES UNLESS OTHERWISE SPECIFIED:		APVD M. PHILLIPS 08MAR2013	NAME
0 PLC ±0.1	1 PLC ±0.1	PRODUCT SPEC	CAGE ASSEMBLY WITH LIGHT PIPES, PRESS-FIT, EMI SPRINGS, 1X6, zSFP+
2 PLC ±0.08	3 PLC ±0.05	APPLICATION SPEC	SIZE CAGE CODE DRAWING NO RESTRICTED TO
4 PLC ±	ANGLES ±1°	WEIGHT	A1 00779 C=2227731
MATERIAL SEE NOTES	FINISH SEE NOTES	Customer Drawing	SCALE 4:1 SHEET 2 OF 4 REV B

LOC	DIST	REVISIONS			
P	LTN	DESCRIPTION	DATE	DMN	APVD
-	-	SEE SHEET 1	-	-	-



RECOMMENDED PCB CONFIGURATION
 WITH KEEP-OUT AREAS FOR BELLY TO BELLY APPLICATION
 SAME AS SINGLE SIDED APPLICATION, EXCEPT AS SHOWN
 SCALE 5:1

THIS DRAWING IS A CONTROLLED DOCUMENT. DIMENSIONING AND TOLERANCING PER ASME Y14.5M-2009		DMN C. VALENTINE 08MAR2013 CHK M. PHILLIPS 08MAR2013 APVD M. PHILLIPS 08MAR2013	TE Connectivity NAME CAGE ASSEMBLY WITH LIGHT PIPES, PRESS-FIT, EMI SPRINGS, 1X6, zSFP+
DIMENSIONS: mm	TOLERANCES UNLESS OTHERWISE SPECIFIED: 0 PLC ±0.1 1 PLC ±0.1 2 PLC ±0.08 3 PLC ±0.05 4 PLC ±0.05 ANGLES ±1°	PRODUCT SPEC APPLICATION SPEC SIZE CAGE CODE DRAWING NO A1 00779 C=2227731	
MATERIAL SEE NOTES	FINISH SEE NOTES	WEIGHT Customer Drawing	RESTRICTED TO SCALE 4:1 SHEET 4 OF 4 REV B