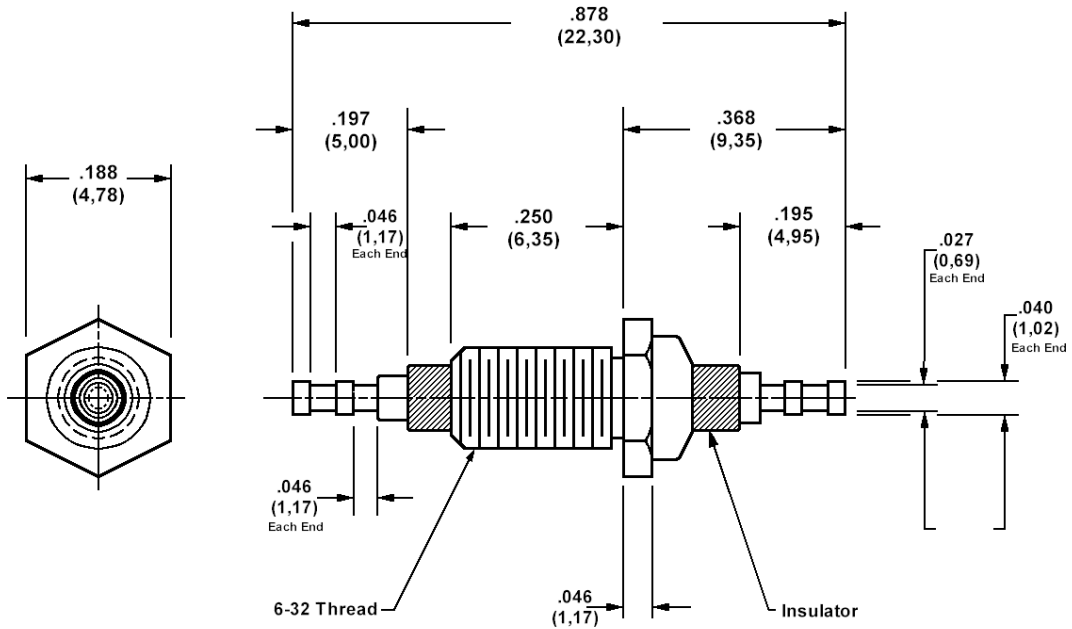


570-2642 Insulated solder terminal, Feed thru



How to order code
570-2642-01-01-19
Basic Part No

Component	Material	Finish
		-01
Terminal	Brass	Silver
Mounting Stud	Brass	Nickel
Insulator	Teflon - white	

Unassembled Mounting Hardware	Material	Finish
Mounting Hex Nut	Brass	Nickel
Internal Tooth Lockwasher	Phosphor Bronze	Nickel

Additional Specifications	
Dielectric Withstanding Voltage (VRMS)	600

Teflon is a registered trademark of Dupont