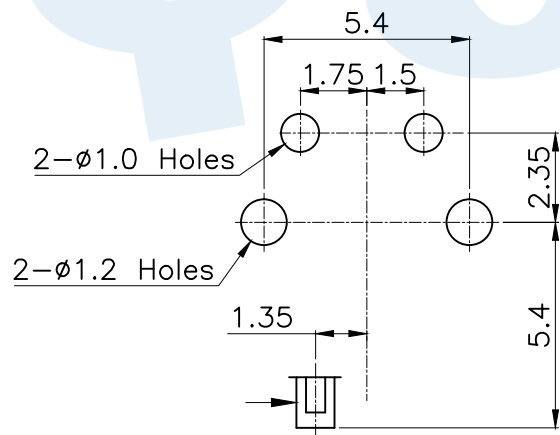
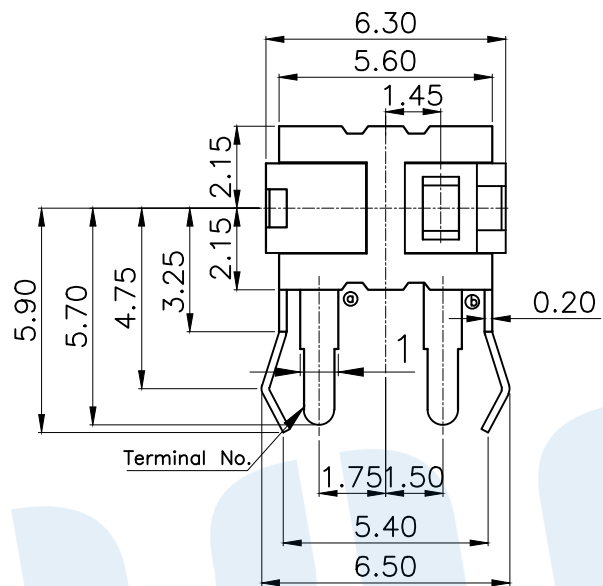
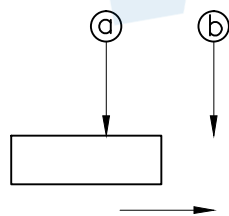
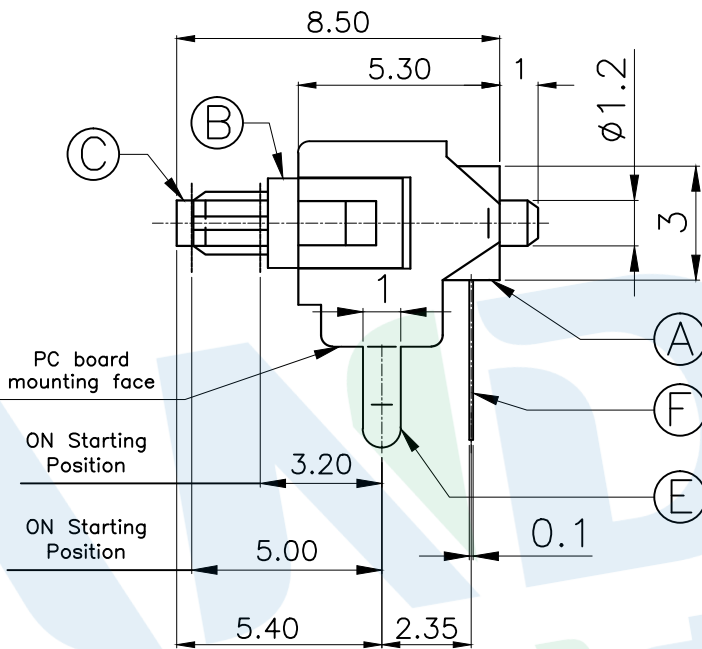


RoHS



PCB Layout(Pattern side)



Circuit Diagram

Technical Parameters

1. Rated current: DC 30V 0.1A
2. Operating force:  $40 \pm 10$ gf
3. Mechanical life: 50,000 times

(F)	Trestle		1	SPCC	Tin-Plating
(E)	Terminal		2	Brass	Silvering
(D)	Contact Spring		1	Phosphor copper	Silvering
(C)	Button		1	POM	Black
(B)	Cover		1	POM	Black
(A)	Base		1	PA66	Black
NO.	Name	Number	Qty	Materil	Remarks

**YUANDI®** Yuandi Electronics Co, Ltd

design	date	name	DETECTION SWITCH
Review	date	model	TQ-2520
Approved	date		

Drawing number: Proportion 1:1 unit mm gage number A4

modify Review Approved Tolerance not specified