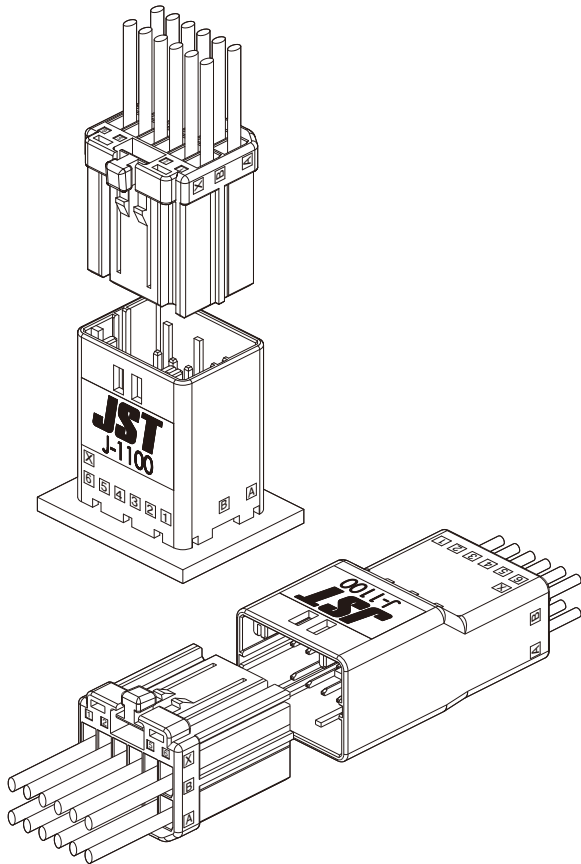




# JFA CONNECTOR J1000 SERIES

2.2 mm pitch/Disconnectable Crimp style connectors (For Wire-to-board/Wire-to-wire)



Connectors for signal circuit or power supply circuit, applicable to the factory automation, heavy electric machinery, and other industrial equipment in general.

In spite of various kinds of housings available, their contacts are designed to be common.

The applicable tooling can be standardized.

- Double-spring construction
- Up to AWG #18 with 2.2 mm pitch
- Housing lance
- Secure locking method

## ■ Standards

Ⓜ : Recognized E 60389

## ■ Specifications

• Current rating: AC/DC

Unit : A

| No. of circuits | Wire size (AWG) |     |     |     |     |     |
|-----------------|-----------------|-----|-----|-----|-----|-----|
|                 | #18             | #20 | #22 | #24 | #26 | #28 |
| 3               | 6.4             | 5.4 | 4.8 | 4.0 | 3.4 | 2.8 |
| 6               | 5.5             | 4.6 | 4.0 | 3.4 | 2.9 | 2.4 |
| 8               | 5.5             | 4.6 | 4.0 | 3.1 | 2.6 | 2.2 |
| 12              | 4.7             | 3.9 | 3.4 | 2.7 | 2.6 | 2.0 |
| 20              | 4.0             | 3.4 | 3.0 | 2.4 | 2.0 | 1.8 |
| 22              | 3.9             | 3.3 | 2.9 | 2.3 | 1.9 | 1.7 |
| 26              | 3.6             | 3.0 | 2.6 | 2.2 | 1.8 | 1.6 |
| 30              | 3.6             | 3.0 | 2.6 | 2.1 | 1.7 | 1.5 |

• Voltage rating: 125 V AC/DC...J1100 series  
250 V AC/DC...J1800 series

• Temperature range: -55°C to +105°C  
(including temperature rise in applying electrical current)

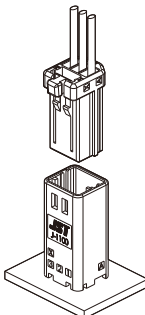
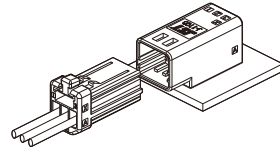
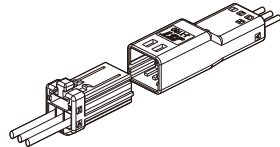
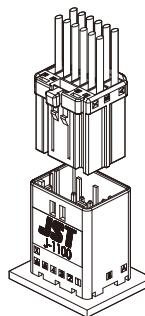
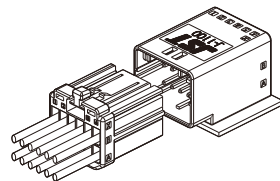
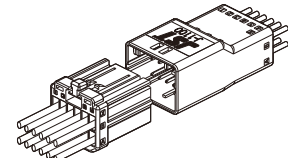
- Applicable wire: AWG #28 to #18
- Applicable PC board thickness: 1.6 mm

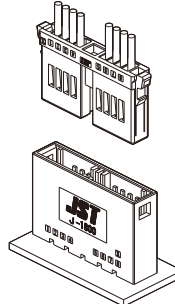
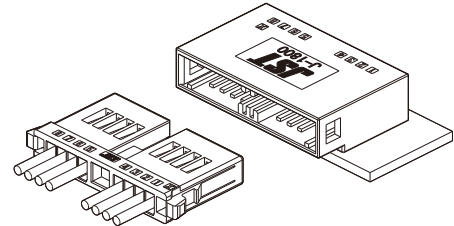
\* In using the products, refer to "Handling Precautions for Terminals and Connectors" described on our website (Technical documents of Product information page).

- \* RoHS2 compliance
- \* Dimensional unit: mm
- \* Contact JST for details.

# JFA CONNECTOR/J1000 SERIES

## J1000 series products line-up

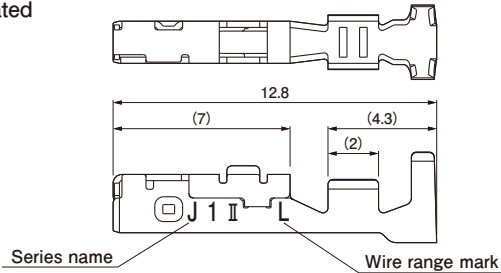
| Type                |                       | 2.2 mm pitch , Voltage rating 125 V AC/DC  |   |   |
|---------------------|-----------------------|--|---|---|
|                     |                       | Wire-to-board  |   | Wire-to-wire  |
|                     |                       | Top entry type   | Side entry type   | Free hanging type   |
| Center locking type | J1100 Single-row type |   |   |    |
|                     | No. of circuits       | 3  | 3   | 3   |
|                     | J1100 Dual-row type   |  |  |  |
|                     | No. of circuits       | 6, 8, 12, 20, 22, 26, 30   | 6, 8, 12, 20, 30  | 6, 8, 12, 20, 26  |

| Type                          |                       | 2.2 mm pitch , Voltage rating 250 V AC/DC   |   |
|-------------------------------|-----------------------|---|---|
|                               |                       | Wire-to-board   |   |
|                               |                       | Top entry type  | Side entry type   |
| Side locking type (Thin type) | J1800 Single-row type |  |  |
|                               | No. of circuits       | 8   | 8   |

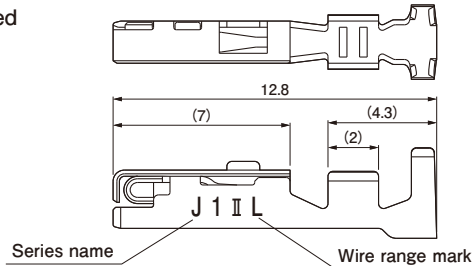
# JFA CONNECTOR/J1000 SERIES

## Receptacle contact

### ● Gold-plated



### ● Tin-plated



| Strip contact Model No. | Series       | Applicable wire |                 |       | Insulation O.D. (mm) | Q'ty/reel |
|-------------------------|--------------|-----------------|-----------------|-------|----------------------|-----------|
|                         |              | Size            | mm <sup>2</sup> | AWG # |                      |           |
| SF1F-002GC-P0.6         | Gold (0.2μm) | M               | 0.08~0.2        | 28~24 | 0.88~1.43            | 6,000     |
| SF1F-002T-P0.6          | Tin          |                 |                 |       |                      |           |
| SF1F-01GC-P0.6          | Gold (0.2μm) | ME              | 0.2~0.5         | 24~20 | 1.30~1.90            | 5,500     |
| SF1F-21GC-P0.6          | Gold (0.2μm) | L               | 0.3~0.8         | 22~18 | 1.50~2.10            | 5,000     |
| SF1F-21T-P0.6           | Tin          |                 |                 |       |                      |           |

### Material and Finish

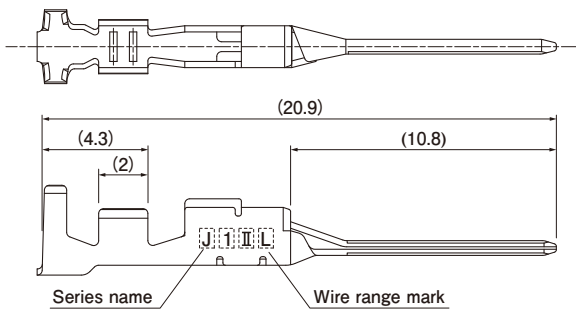
Copper alloy, nickel-undercoated, selective gold-plated  
Tin-plated

### RoHS2 compliance

Note: 1. Contact JST for 0.76 μm gold-plated product.

2. Please note that the above general specifications may differ from the safety standards.

## Tab contact



| Strip contact Model No. | Series       | Applicable wire |                 |       | Insulation O.D. (mm) | Q'ty/reel |
|-------------------------|--------------|-----------------|-----------------|-------|----------------------|-----------|
|                         |              | Size            | mm <sup>2</sup> | AWG # |                      |           |
| SF1M-002GC-M0.6A        | Gold (0.2μm) | M               | 0.08~0.2        | 28~24 | 0.88~1.43            | 6,000     |
| SF1M-002T-M0.6A         | Tin          |                 |                 |       |                      |           |
| SF1M-01GC-M0.6A         | Gold (0.2μm) | ME              | 0.2~0.5         | 24~20 | 1.30~1.90            | 5,500     |
| SF1M-21GC-M0.6A         | Gold (0.2μm) | L               | 0.3~0.8         | 22~18 | 1.50~2.10            | 5,000     |
| SF1M-21T-M0.6A          | Tin          |                 |                 |       |                      |           |

### Material and Finish

Copper alloy, nickel-undercoated, selective gold-plated  
Tin-plated

### RoHS2 compliance

Note: 1. Contact JST for 0.76 μm gold-plated product.

2. Please note that the above general specifications may differ from the safety standards.

## Crimping machine, Applicator

| Strip contact Model No.               | Crimping machine | Applicator       |                      |                            |           |
|---------------------------------------|------------------|------------------|----------------------|----------------------------|-----------|
|                                       |                  | Crimp applicator | Dies                 | Crimp applicator with dies | Hand tool |
| SF1F-002(*)-P0.6<br>SF1M-002(*)-M0.6A | AP-K2N           | MKS-L            | MK/SF1F/<br>M-002-06 | APLMK SF1F/<br>M002-06     | YRK-1220  |
| SF1F-01GC-P0.6<br>SF1M-01GC-M0.6A     | AP-K2N           | MKS-L            | MK/SF1F/<br>M-01-06  | APLMK SF1F/<br>M01-06      | YRK-1230  |

| Strip contact Model No.             | Crimping machine | Applicator       |                     |                            |           |
|-------------------------------------|------------------|------------------|---------------------|----------------------------|-----------|
|                                     |                  | Crimp applicator | Dies                | Crimp applicator with dies | Hand tool |
| SF1F-21(*)-P0.6<br>SF1M-21(*)-M0.6A | AP-K2N           | MKS-L            | MK/SF1F/<br>M-21-06 | APLMK SF1F/<br>M21-06      | YRK-1210  |

Note: Finish (\*): GC...Nickel-undercoated, 0.2 μm selective gold-plated  
T...Tin-plated

· Extraction tool for J1100 series: EJ-JFAJ1100/EJ-JFAJ1100N

· Extraction tool for J1800 series: EJ-JFAJ18

· Refer to crimping tools for details of YRK series hand crimping tools that uses a strip contact.

Note: Contact JST for fully automatic crimping applicator.

## Recognition mark

### • Plating of the contact

Each contact has a marking on its side so that the type or thickness of the plating is recognized.

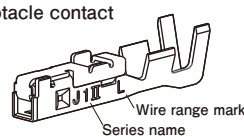
- ex. 1 ... gold-plated 0.2 μm thickness  
3 ... gold-plated 0.76 μm thickness  
5 ... tin-plated

### • Common marking on the contact and its application tools

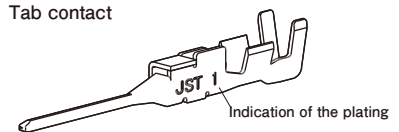
In order to avoid incorrect combination of the hand crimp tools or extraction tools and the contacts, the series name (for example J1 II) and wire range mark (M, ME, L) are shown on both the tools and the contacts.

- For example J1 II M..... AWG #28 ~ #24  
ME..... AWG #24 ~ #20  
L..... AWG #22 ~ #18

Receptacle contact



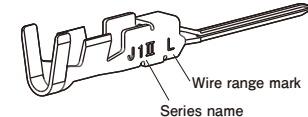
Tab contact



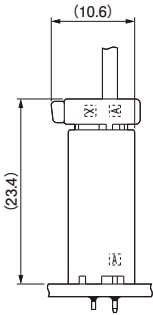
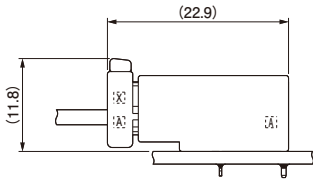
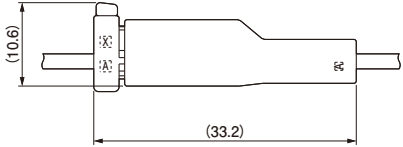
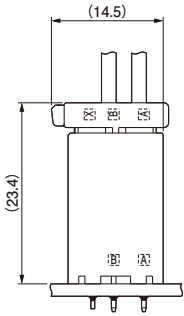
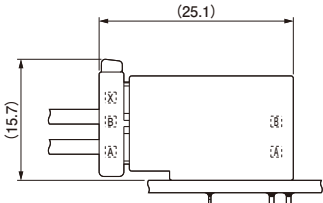
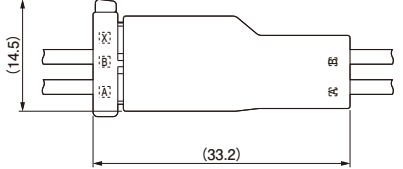
Receptacle contact



Tab contact

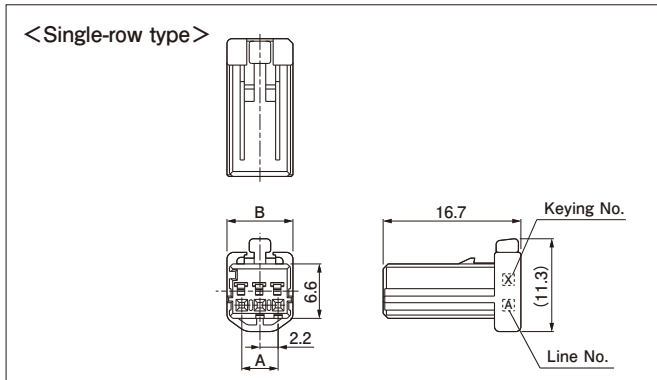


## Assembly layout

| Type                     | Wire-to-board  |  | Wire-to-wire  |
|--------------------------|--|--|---|
|                          | Top entry type   | Side entry type  | Free hanging type   |
| J1100<br>Single-row type |   |    |    |
| J1100<br>Dual-row type   |  |  |  |

# J1000 SERIES/J1100

## Receptacle housing



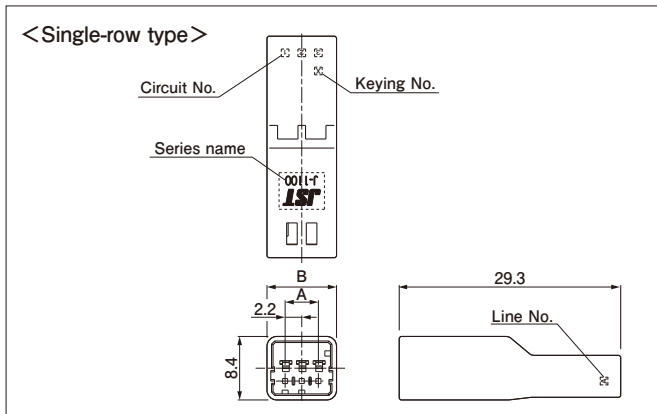
| No. of circuits | Keying | Model No.    | Dimensions (mm) |     | Q'ty/box |
|-----------------|--------|--------------|-----------------|-----|----------|
|                 |        |              | A               | B   |          |
| 3               | X      | J11SF-03V-KX | 4.4             | 8.0 | 1,200    |
|                 | Y      | J11SF-03V-KY | 4.4             | 8.0 | 1,200    |

### Material and Finish

Glass-filled PBT, UL94V-0, black

RoHS2 compliance

## Tab housing



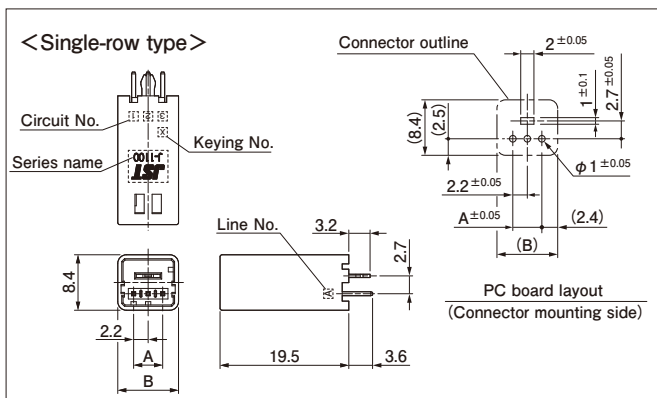
| No. of circuits | Keying | Model No.     | Dimensions (mm) |     | Q'ty/box |
|-----------------|--------|---------------|-----------------|-----|----------|
|                 |        |               | A               | B   |          |
| 3               | X      | J11SFM-03V-KX | 4.4             | 9.2 | 500      |
|                 | Y      | —             | —               | —   | —        |

### Material and Finish

Glass-filled PBT, UL94V-0, black

RoHS2 compliance

## Header Top entry type



| No. of circuits | Plating      | Keying | Model No.       | Dimensions (mm) |     | Q'ty/box |
|-----------------|--------------|--------|-----------------|-----------------|-----|----------|
|                 |              |        |                 | A               | B   |          |
| 3               | Gold (0.2μm) | X      | B03B-J11SK-GWXR | 4.4             | 9.2 | 625      |
|                 |              | Y      | B03B-J11SK-GWYR | 4.4             | 9.2 |          |
|                 | Tin          | X      | B03B-J11SK-TXR  | 4.4             | 9.2 | 625      |
|                 |              | Y      | B03B-J11SK-TYR  | 4.4             | 9.2 |          |

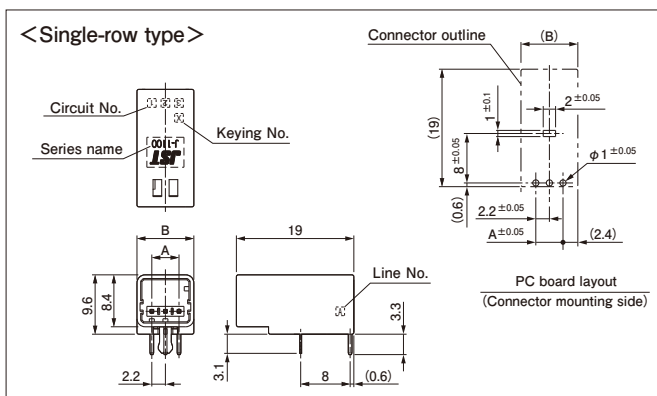
### Material and Finish

Post: Copper alloy, gold-plated, tin-plated  
Housing: Glass-filled PBT, UL94V-0, black  
Reinforcement: Copper alloy, tin-plated

RoHS2 compliance

Note: 1. Gold-plated product displays (LF) on a label.  
2. Contact JST for 0.76 μm gold-plated product.

## Header Side entry type



| No. of circuits | Plating      | Keying | Model No.       | Dimensions (mm) |     | Q'ty/box |
|-----------------|--------------|--------|-----------------|-----------------|-----|----------|
|                 |              |        |                 | A               | B   |          |
| 3               | Gold (0.2μm) | X      | S03B-J11SK-GWXR | 4.4             | 9.2 | 600      |
|                 |              | Y      | S03B-J11SK-GWYR | 4.4             | 9.2 |          |
|                 | Tin          | X      | S03B-J11SK-TXR  | 4.4             | 9.2 | 600      |
|                 |              | Y      | S03B-J11SK-TYR  | 4.4             | 9.2 |          |

### Material and Finish

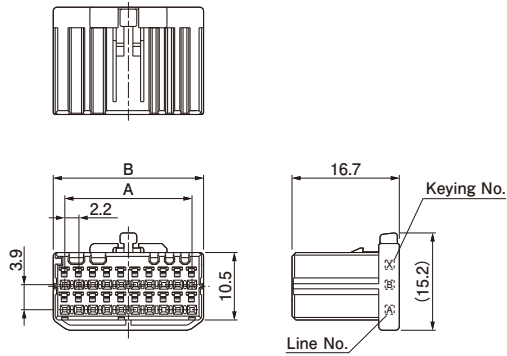
Post: Copper alloy, gold-plated, tin-plated  
Housing: Glass-filled PBT, UL94V-0, black  
Reinforcement: Copper alloy, tin-plated

RoHS2 compliance

Note: 1. Gold-plated product displays (LF) on a label.  
2. Contact JST for 0.76 μm gold-plated product.

## Receptacle housing

<Dual-row type>



| No. of circuits | Keying | Model No.      | Dimensions (mm) |      | Q'ty/box |
|-----------------|--------|----------------|-----------------|------|----------|
|                 |        |                | A               | B    |          |
| 6               | X      | J11DF-06V-KX   | 4.4             | 8.0  | 800      |
|                 | Y      | J11DF-06V-KY   | 4.4             | 8.0  | 800      |
| 8               | X      | J11DF-08V-KX   | 6.6             | 10.2 | 500      |
|                 | Y      | J11DF-08V-KY   | 6.6             | 10.2 | 500      |
| 12              | X      | J11DF-12V-KX   | 11.0            | 14.6 | 400      |
|                 | Y      | J11DF-12V-KY   | 11.0            | 14.6 | 400      |
| 20              | X      | J11DF-20V-KX   | 19.8            | 23.4 | 250      |
|                 | Y      | J11DF-20V-KY   | 19.8            | 23.4 | 250      |
| 22              | X      | * J11DF-22V-KX | 22.0            | 25.6 | 250      |
|                 | Y      | * J11DF-22V-KY | 22.0            | 25.6 | 250      |
| 26              | X      | * J11DF-26V-KX | 26.4            | 30.0 | 200      |
|                 | Y      | * J11DF-26V-KY | 26.4            | 30.0 | 200      |
| 30              | X      | * J11DF-30V-KX | 30.8            | 34.4 | 180      |
|                 | Y      | * J11DF-30V-KY | 30.8            | 34.4 | 180      |

### Material and Finish

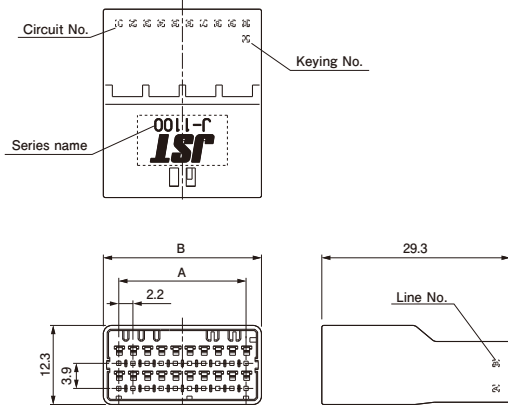
Glass-filled PBT, UL94V-0, black

RoHS2 compliance

Note: \* Marked products are unlisted in UL.

## Tab housing

<Dual-row type>



| No. of circuits | Keying | Model No.       | Dimensions (mm) |      | Q'ty/box |
|-----------------|--------|-----------------|-----------------|------|----------|
|                 |        |                 | A               | B    |          |
| 6               | X      | J11DFM-06V-KX   | 4.4             | 9.2  | 400      |
|                 | Y      | J11DFM-06V-KY   | 4.4             | 9.2  | 400      |
| 8               | X      | J11DFM-08V-KX   | 6.6             | 11.4 | 300      |
|                 | Y      | —               | —               | —    | —        |
| 12              | X      | J11DFM-12V-KX   | 11.0            | 15.8 | 200      |
|                 | Y      | —               | —               | —    | —        |
| 20              | X      | J11DFM-20V-KX   | 19.8            | 24.6 | 150      |
|                 | Y      | —               | —               | —    | —        |
| 26              | X      | * J11DFM-26V-KX | 26.4            | 31.2 | 120      |
|                 | Y      | * J11DFM-26V-KY | 26.4            | 31.2 | 120      |

### Material and Finish

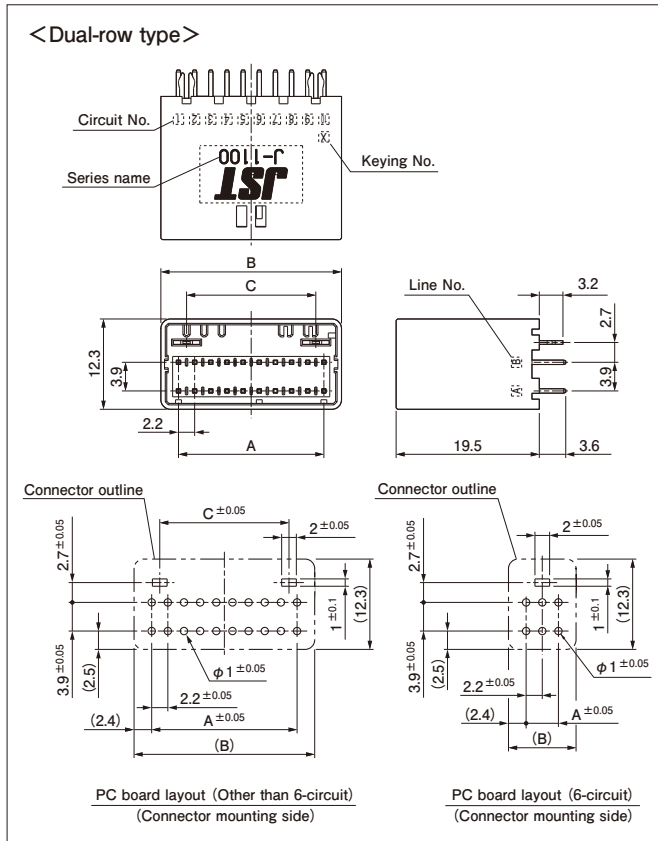
Glass-filled PBT, UL94V-0, black

RoHS2 compliance

Note: \* Marked products are unlisted in UL.

# J1000 SERIES/J1100

## Header Top entry type



| No. of circuits | Plating        | Keying         | Model No.         | Dimensions (mm) |      |      | Q'ty/box |
|-----------------|----------------|----------------|-------------------|-----------------|------|------|----------|
|                 |                |                |                   | A               | B    | C    |          |
| 6               | Gold (0.2μm)   | X              | B06B-J11DK-GWXR   | 4.4             | 9.2  | —    | 500      |
|                 |                | Y              | B06B-J11DK-GWYR   |                 |      |      |          |
|                 | Tin            | B06B-J11DK-TXR | 4.4               | 9.2             | —    | 500  |          |
| Y               | B06B-J11DK-TYR |                |                   |                 |      |      |          |
| 8               | Gold (0.2μm)   | X              | B08B-J11DK-GWXR   | 6.6             | 11.4 | 4.4  | 400      |
|                 |                | Y              | B08B-J11DK-GWYR   |                 |      |      |          |
|                 | Tin            | B08B-J11DK-TXR | 6.6               | 11.4            | 4.4  | 400  |          |
| Y               | B08B-J11DK-TYR |                |                   |                 |      |      |          |
| 12              | Gold (0.2μm)   | X              | B12B-J11DK-GWXR   | 11.0            | 15.8 | 8.8  | 280      |
|                 |                | Y              | B12B-J11DK-GWYR   |                 |      |      |          |
|                 | Tin            | B12B-J11DK-TXR | 11.0              | 15.8            | 8.8  | 280  |          |
| Y               | B12B-J11DK-TYR |                |                   |                 |      |      |          |
| 20              | Gold (0.2μm)   | X              | B20B-J11DK-GWXR   | 19.8            | 24.6 | 17.6 | 180      |
|                 |                | Y              | B20B-J11DK-GWYR   |                 |      |      |          |
|                 | Tin            | B20B-J11DK-TXR | 19.8              | 24.6            | 17.6 | 180  |          |
| Y               | B20B-J11DK-TYR |                |                   |                 |      |      |          |
| 22              | Gold (0.2μm)   | X              | * B22B-J11DK-GWXR | 22.0            | 26.8 | 19.8 | 160      |
|                 |                | Y              | * B22B-J11DK-GWYR |                 |      |      |          |
| 26              | Gold (0.2μm)   | X              | * B26B-J11DK-GWXR | 26.4            | 31.2 | 24.2 | 140      |
|                 |                | Y              | * B26B-J11DK-GWYR |                 |      |      |          |
| 30              | Gold (0.2μm)   | X              | * B30B-J11DK-GWXR | 30.8            | 35.6 | 28.6 | 120      |
|                 |                | Y              | * B30B-J11DK-GWYR |                 |      |      |          |

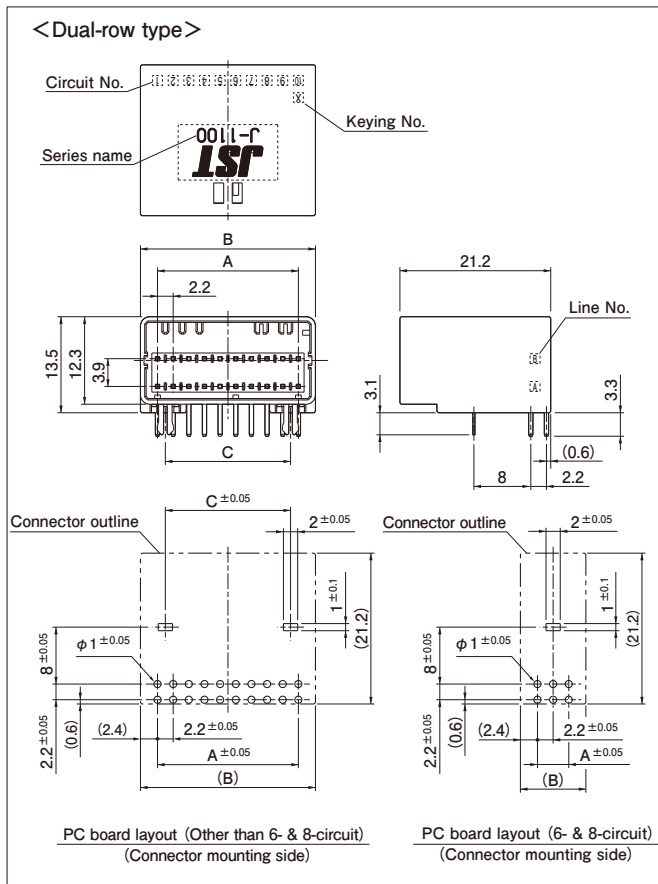
### Material and Finish

Post: Copper alloy, gold-plated, tin-plated  
Housing: Glass-filled PBT, UL94V-0, black  
Reinforcement: Copper alloy, tin-plated

### RoHS2 compliance

- Note: 1. Gold-plated product displays (LF) on a label.  
2. Contact JST for 0.76μm gold-plated product.  
3. \* Marked products are unlisted in UL.

## Header Side entry type



| No. of circuits | Plating        | Keying         | Model No.         | Dimensions (mm) |      |      | Q'ty/box |
|-----------------|----------------|----------------|-------------------|-----------------|------|------|----------|
|                 |                |                |                   | A               | B    | C    |          |
| 6               | Gold (0.2μm)   | X              | S06B-J11DK-GWXR   | 4.4             | 9.2  | —    | 375      |
|                 |                | Y              | S06B-J11DK-GWYR   |                 |      |      |          |
|                 | Tin            | S06B-J11DK-TXR | 4.4               | 9.2             | —    | 375  |          |
| Y               | S06B-J11DK-TYR |                |                   |                 |      |      |          |
| 8               | Gold (0.2μm)   | X              | S08B-J11DK-GWXR   | 6.6             | 11.4 | —    | 300      |
|                 |                | Y              | S08B-J11DK-GWYR   |                 |      |      |          |
|                 | Tin            | S08B-J11DK-TXR | 6.6               | 11.4            | —    | 300  |          |
| Y               | S08B-J11DK-TYR |                |                   |                 |      |      |          |
| 12              | Gold (0.2μm)   | X              | S12B-J11DK-GWXR   | 11.0            | 15.8 | 8.8  | 225      |
|                 |                | Y              | S12B-J11DK-GWYR   |                 |      |      |          |
|                 | Tin            | S12B-J11DK-TXR | 11.0              | 15.8            | 8.8  | 225  |          |
| Y               | S12B-J11DK-TYR |                |                   |                 |      |      |          |
| 20              | Gold (0.2μm)   | X              | S20B-J11DK-GWXR   | 19.8            | 24.6 | 17.6 | 135      |
|                 |                | Y              | S20B-J11DK-GWYR   |                 |      |      |          |
|                 | Tin            | S20B-J11DK-TXR | 19.8              | 24.6            | 17.6 | 135  |          |
| Y               | S20B-J11DK-TYR |                |                   |                 |      |      |          |
| 30              | Gold (0.2μm)   | X              | * S30B-J11DK-GWXR | 30.8            | 35.6 | 28.6 | 90       |
|                 |                | Y              | —                 |                 |      |      |          |

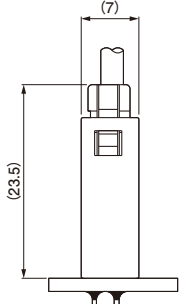
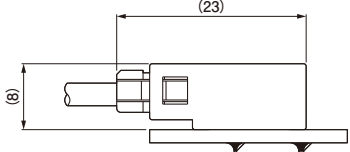
### Material and Finish

Post: Copper alloy, gold-plated, tin-plated  
Housing: Glass-filled PBT, UL94V-0, black  
Reinforcement: Copper alloy, tin-plated

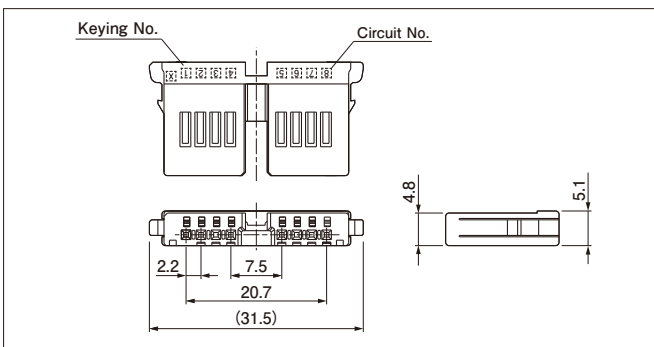
### RoHS2 compliance

- Note: 1. Gold-plated product displays (LF) on a label.  
2. Contact JST for 0.76μm gold-plated product.  
3. \* Marked product is unlisted in UL.

## Assembly layout

| Type            | Wire-to-board   |   |
|-----------------|---|---|
|                 | Top entry type  | Side entry type   |
| Single-row type |  |  |

## Receptacle housing



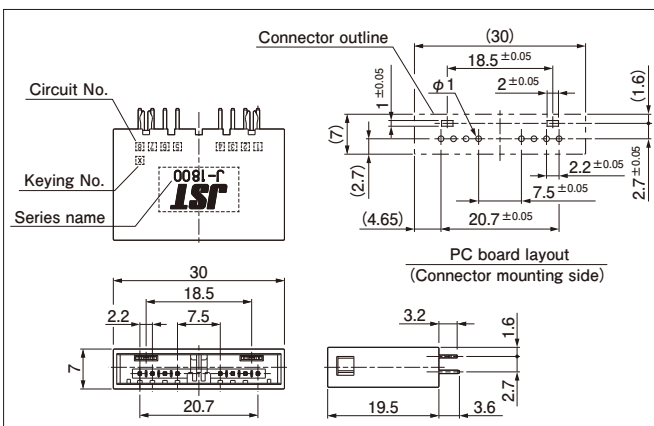
| No. of circuits | Keying | Model No.    | Q'ty/box |
|-----------------|--------|--------------|----------|
| 8               | X      | J18SF-08V-KX | 450      |
|                 | Y      | —            | —        |

### Material and Finish

Glass-filled PBT, UL94V-0, black

RoHS2 compliance

## Header Top entry type



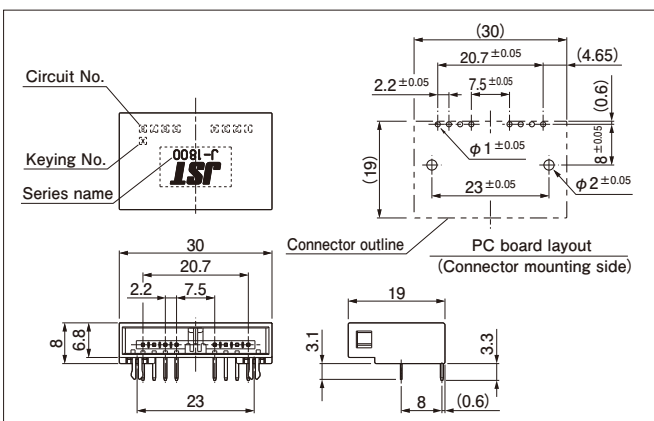
| No. of circuits | Keying | Model No.      | Q'ty/box |
|-----------------|--------|----------------|----------|
| 8               | X      | B08B-J18SK-TXR | 245      |
|                 | Y      | —              | —        |

### Material and Finish

Post: Copper alloy, tin-plated  
Housing: Glass-filled PBT, UL94V-0, black  
Reinforcement: Copper alloy, tin-plated

RoHS2 compliance

## Header Side entry type



| No. of circuits | Keying | Model No.      | Q'ty/box |
|-----------------|--------|----------------|----------|
| 8               | X      | S08B-J18SK-TXR | 220      |
|                 | Y      | —              | —        |

### Material and Finish

Post: Copper alloy, tin-plated  
Housing: Glass-filled PBT, UL94V-0, black  
Reinforcement: Copper alloy, tin-plated

RoHS2 compliance



# JFA CONNECTOR/J1000 SERIES

## Model number allocation

### Receptacle contact

**S F1 F - 21 T - P 0.6**

Form: S...Strip form

Series name

Kind of terminal: F...Receptacle contact

Applicable wire: 002...AWG #28 ~ AWG #24  
01...AWG #24 ~ AWG #20  
21...AWG #22 ~ AWG #18

Surface finish: GC...Nickel-undercoated, selective gold-plated (0.2 μm)  
GI...Nickel-undercoated, selective gold-plated (0.76 μm)  
T...Tin-plated

Material: P...Copper alloy

Terminal size

### Tab contact

**S F1 M - 21 T - M 0.6 A**

Form: S...Strip form

Series name

Kind of terminal: M...Tab contact

Applicable wire: 002...AWG #28 ~ AWG #24  
01...AWG #24 ~ AWG #20  
21...AWG #22 ~ AWG #18

Surface finish: GC...Nickel-undercoated, selective gold-plated (0.2 μm)  
GI...Nickel-undercoated, selective gold-plated (0.76 μm)  
T...Tin-plated

Material: M...Copper alloy

Terminal size

Sub model number

### Receptacle housing

**J11 DF - 06 V - K X**

Series name

Type of connector: SF...Single-row type  
DF...Dual-row type

Circuits: 3, 6, 8, 12, 20, 22, 26, 30

Flammability: V...UL94V-0

Color indication: K...Black

Keying: X...X-Keying, Y...Y-Keying

### Tab housing

**J11 DFM - 06 V - K X**

Series name

Type of connector: SFM...Single-row type  
DFM...Dual-row type

Circuits: 3, 6, 8, 12, 20, 26

Flammability: V...UL94V-0

Color indication: K...Black

Keying: X...X-Keying, Y...Y-Keying

### Header

**B 06 B - J11 D K - T X R**

PC board mounting direction:  
B...Top entry type  
S...Side entry type

Circuits: 3, 6, 8, 12, 20, 22, 26, 30

Shape of assembled product

Series name

Rows: S...Single-row, D...Dual-row

Color indication: K...Black

Surface finish: GW...Nickel-undercoated, selective gold-plated (0.2 μm)  
GZ...Nickel-undercoated, selective gold-plated (0.76 μm)  
T...Tin-plated

Keying: X...X-Keying, Y...Y-Keying

Packaging form: R...Tray