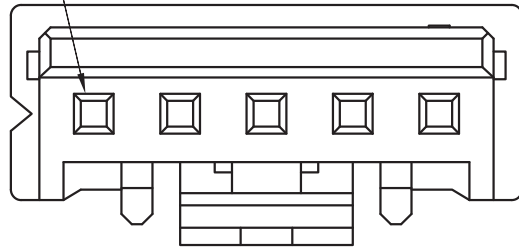


环保物料

TEL:0769-82001899

CIRCUIT NO.1

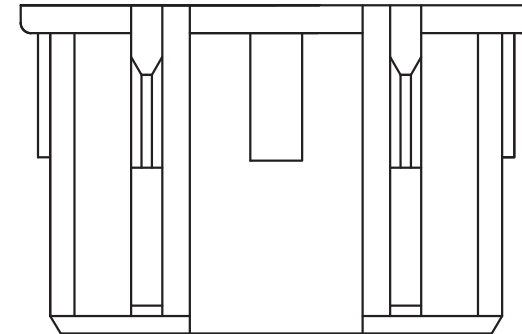
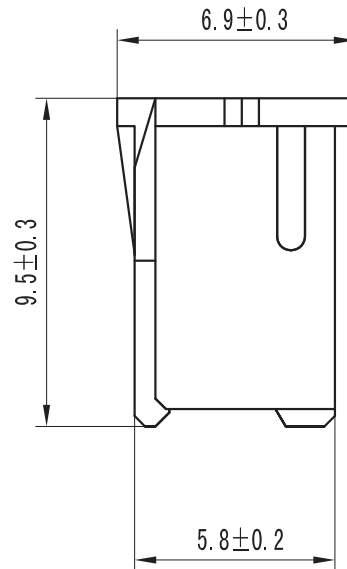
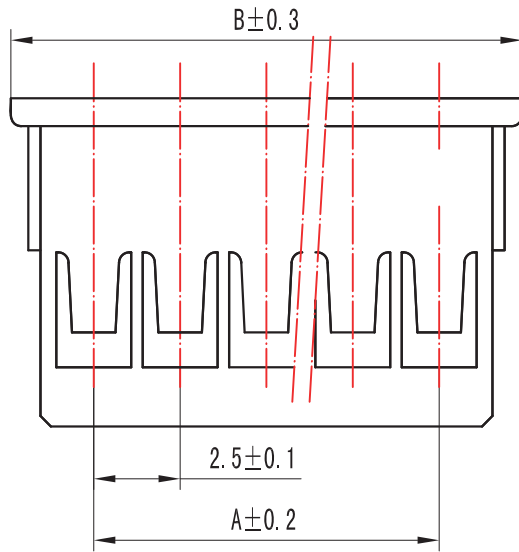


SPECIFICATIONS

- 1.Voltage rating: 250V AC, DC
- 2.Current rating: 3A, AC, DC
- 3.Withstanding Voltage: 1000V AC/minute
- 4.Insulation resistance:1000M min
- 5.Temperature range: -25 ° C~+85 ° C
- 6.Contact resistance: 20m max

HOUSING

Housing Material: Nylon66 UL94V-0
 Mates with: M2508 series header
 Poles : 02-16P
 Part No.: M2508-xx-N0



P/N	DIM A	DIM B
02	2.5	7.3
03	5.0	9.8
04	7.5	12.3
05	10.0	14.8
06	12.5	17.3
07	15.0	19.8
08	17.5	22.3
09	20.0	24.8
10	22.5	27.3
11	25.0	29.8
12	27.5	32.3
13	30.0	34.8
14	32.5	37.3
15	35.0	39.8
16	37.5	42.3

				TOLERANCE UNLESS OTHERWISE		DRAWN	CK tan	XFCN兴飞连接器有限公司 CONNECTORS XFCN CONNECTORS CO., LTD.		SHEET	1/1
				X.	±0.30	X°	±5°			CHKD	DATE
				.X	±0.20	.X°	±2°	APPD	PRODUCT NAME	2.50mm Crimp Style Connectors	
				.XX	±0.08	.XX°	±1°	VIEW	PART. NO.	SCALE	1:1
				.XXX	±0.03	.XXX°	±0.5°			DWG NO.	009
AO	MODIFICATION		DRAW	DATE							