



# Frontier Electronics Corp.

667 E. COCHRAN STREET, SIMI VALLEY, CA 93065

TEL: (805) 522-9998 FAX: (805) 522-9989

E-mail: [frontiersales@frontierusa.com](mailto:frontiersales@frontierusa.com)

Web: <http://www.frontierusa.com>

## 2A ULTRA FAST RECOVERY RECTIFIER

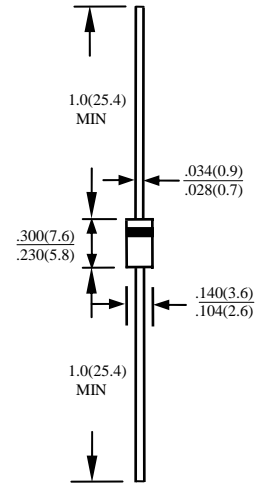
### HER201-LFR THRU HER208-LFR

#### FEATURES

- PLASTIC PACKAGE HAS UNDERWRITERS LABORATORY FLAMMABILITY CLASSIFICATION 94V-0
- ULTRA FAST RECOVERY TIMES FOR HIGH EFFICIENCY
- LOW FORWARD VOLTAGE, HIGH CURRENT CAPABILITY
- LOW LEAKAGE
- HIGH SURGE CAPABILITY
- HIGH TEMPERATURE SOLDERING GUARANTEED:  
260°C 0.375" (9.5mm) LEAD LENGTHS FOR 10 SECONDS AT 5 LBS.(2.3KG) TENSION
- ROHS

#### MECHANICAL DATA

- CASE: MOLDED PLASTIC, DO15, DIMENSIONS IN INCHES AND (MILLIMETERS)
- TERMINALS: AXIAL LEADS SOLDERABLE PER MIL-STD-202, METHOD 208
- POLARITY: COLOR BAND DENOTES CATHODE END
- MOUNTING POSITION: ANY
- WEIGHT: 0.4 GRAMS



MAXIMUM RATINGS AND ELECTRICAL CHARACTERISTICS RATINGS AT 25°C AMBIENT TEMPERATURE UNLESS OTHERWISE SPECIFIED SINGLE PHASE, HALF WAVE, 60 HZ, RESISTIVE OR INDUCTIVE LOAD. FOR CAPACITIVE LOAD, DERATE CURRENT BY 20%

RATINGS	SYMBOL	HER201	HER202	HER203	HER204	HER205	HER206	HER207	HER208	UNITS
		-LFR	-LFR	-LFR	-LFR	-LFR	-LFR	-LFR	-LFR	
MAXIMUM RECURRENT PEAK REVERSE VOLTAGE	$V_{RRM}$	50	100	200	300	400	600	800	1000	V
MAXIMUM RMS VOLTAGE	$V_{RMS}$	35	70	140	210	280	420	560	700	V
MAXIMUM DC BLOCKING VOLTAGE	$V_{DC}$	50	100	200	300	400	600	800	1000	V
MAXIMUM AVERAGE FORWARD RECTIFIED CURRENT 0.375"(9.5mm) LEAD LENGTH AT TA=55°C	$I_o$	2.0								A
PEAK FORWARD SURGE CURRENT 8.3ms SINGLE HALF SINE-WAVE SUPERIMPOSED ON RATED LOAD	$I_{FSM}$	60								A
TYPICAL JUNCTION CAPACITANCE (NOTE 1)	$C_j$	30				20				PF
TYPICAL THERMAL RESISTANCE (NOTE 2)	$R_{\theta ja}$	25								°C/W
STORAGE TEMPERATURE RANGE	$T_{STG}$	-55 TO + 150								°C
OPERATING TEMPERATURE RANGE	$T_{OP}$	-55 TO + 150								°C

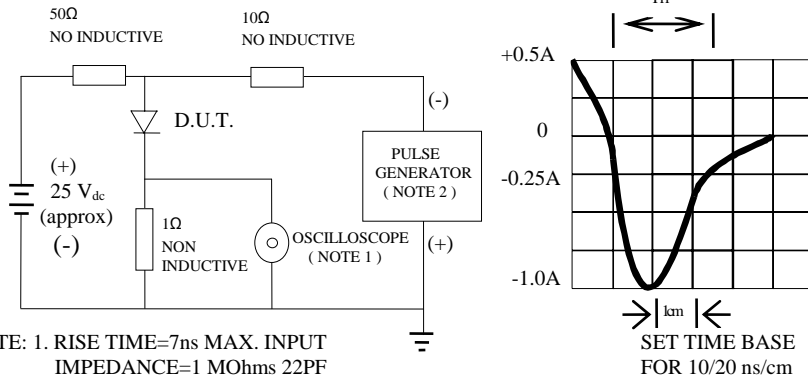
#### ELECTRICAL CHARACTERISTICS (AT TA =25°C UNLESS OTHERWISE NOTED)

CHARACTERISTICS	SYMBOL	HER201	HER202	HER203	HER204	HER205	HER206	HER207	HER208	UNITS
		-LFR	-LFR	-LFR	-LFR	-LFR	-LFR	-LFR	-LFR	
MAXIMUM FORWARD VOLTAGE AT $I_o$ DC	$V_F$	1.3				1.85				V
MAXIMUM REVERSE CURRENT AT TA=25°	$I_R$	10				10				μA
MAXIMUM REVERSE CURRENT AT TA=100°	$I_R$	100				100				μA
MAXIMUM REVERSE RECOVERY TIME (NOTE 3)	$T_{RR}$	50				75				nS

- NOTE: 1. MEASURED AT 1 MHZ AND APPLIED REVERSE VOLTAGE OF 4.0 VOLTS  
 2. BOTH LEADS ATTACHED TO HEAT SINK 35x35x1t(mm) COPPER PLATE AT LEAD LENGTH 5mm  
 3. REVERSE RECOVERY TEST CONDITIONS:  $I_F=0.5A$ ,  $I_R=1.0A$ ,  $I_{RR}=0.25A$

# RATINGS AND CHARACTERISTIC CURVE HER201-LFR THRU HER208-LFR

FIG. 1-TEST CIRCUIT DIAGRAM AND REVERSE RECOVERY TIME CHARACTERISTIC



NOTE: 1. RISE TIME=7ns MAX. INPUT IMPEDANCE=1 MOhms 22PF  
2. RISE TIME =10ns MAX. SOURCE IMPEDANCE=50 OHMS

FIG. 2-TYPICAL FORWARD CURRENT DERATING CURVE

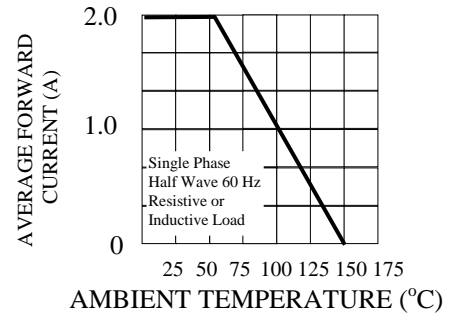


FIG. 3-TYPICAL REVERSE CHARACTERISTICS

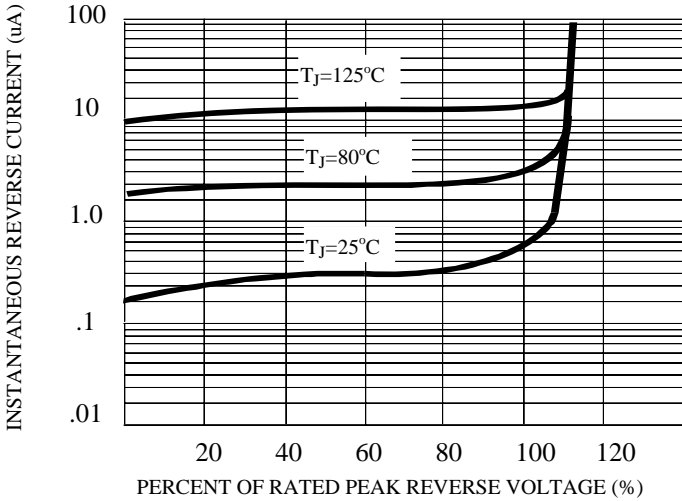


FIG. 4-TYPICAL INSTANTANEOUS FORWARD CHARACTERISTICS

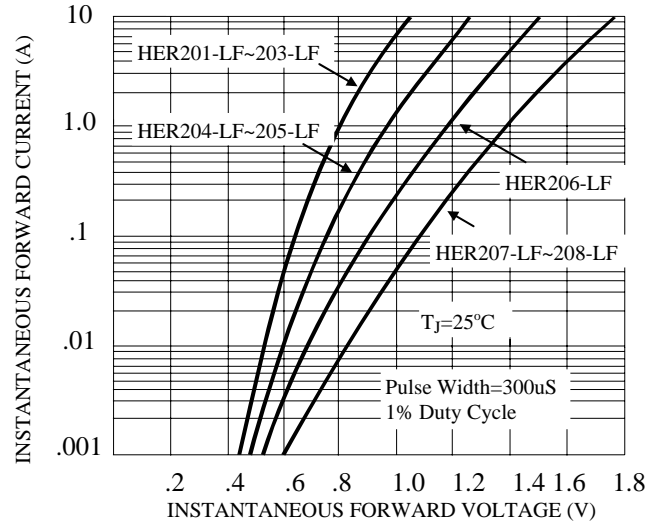


FIG. 5-MAXIMUM NON-REPETITIVE FORWARD SURGE CURRENT

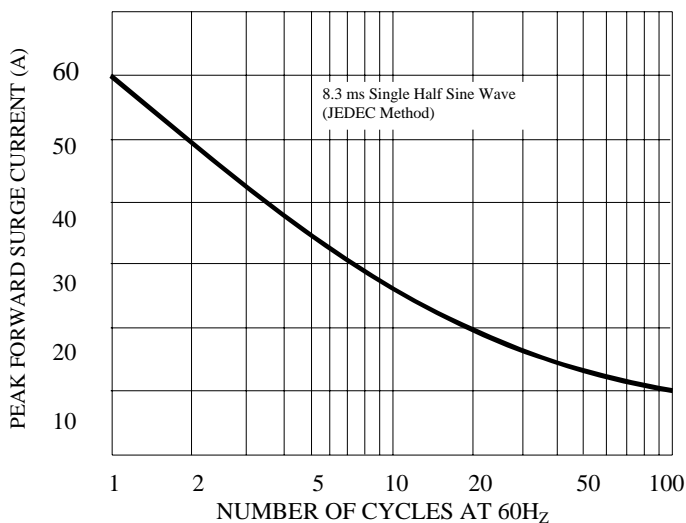


FIG. 6-TYPICAL JUNCTION CAPACITANCE

