

# HSF

**NOTES:**

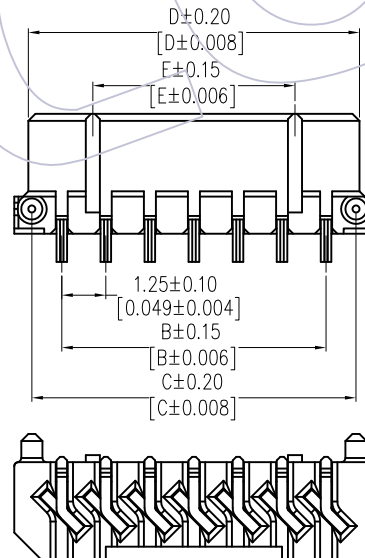
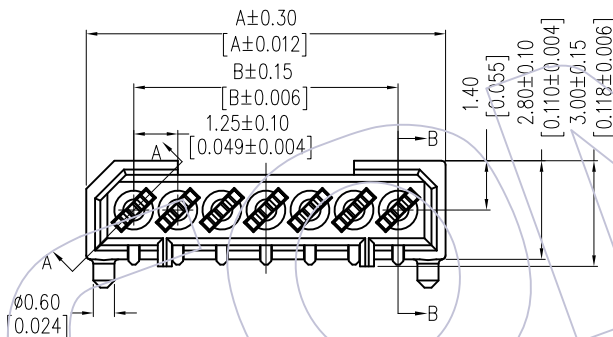
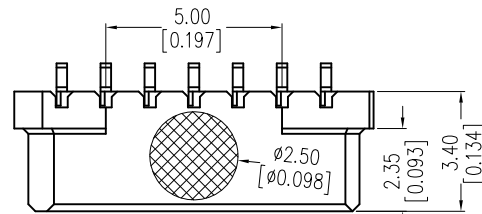
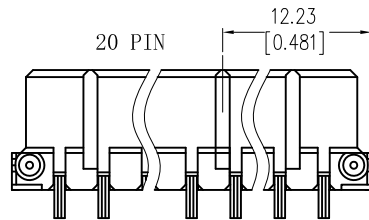
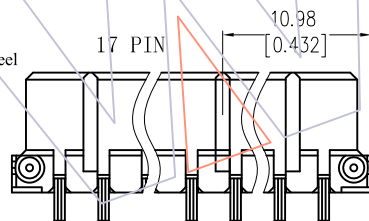
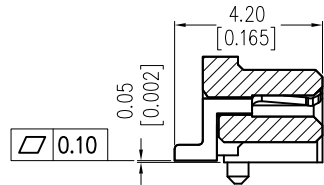
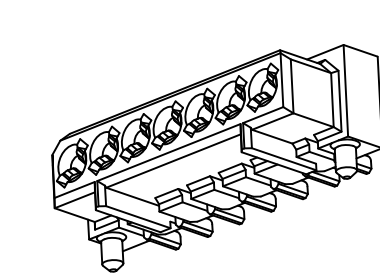
Voltage Rating: 50V AC/DC  
 Current Raing: 0.5AMP  
 Contact Resistance: 20mΩ max  
 Withstand Voltage: 500V AC/Minute  
 Insulation Resistance: 500MΩ min  
 Operation Temperature: -40°C to +105°C

Contact Material: Phosphor Bronze  
 Contact Plating: 100~200u" Tin Plated Over  
 50~80u" Nickel  
 Insulator Material: PA9T+33%GF UL94V-0 BLACK

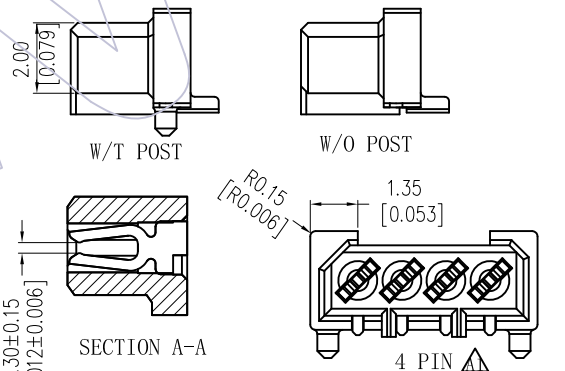
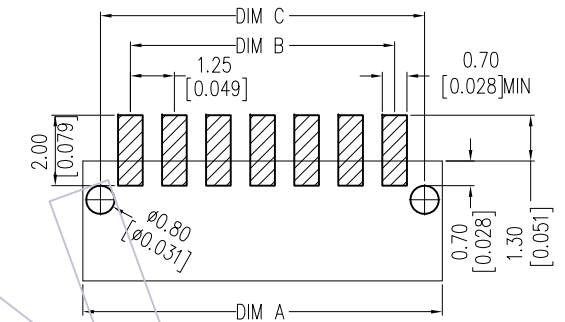
## Ordering Information

3652-S XXX - 034 XX R0X

No.of Pins	Plating	Packing
004: 04 Pin	G0=Gold Flash	R=Tape&Reel
005: 05 Pin	G3=10u"Gold	
006: 06 Pin	G4=15u"Gold	
007: 07 Pin	G5=30u"Gold	
008: 08 Pin	SN=Tin	
010: 10 Pin		
017: 17 Pin		
020: 20 Pin		



### Recommended P.C.B Layout (Top Side) (PCB BOARD TOLERANCE ±0.05)



3652-SXXX-034SNR01	W/O POST
3652-SXXX-034SNR02	W/T POST

21.99	25.65	25.45	23.75	26.45	20
18.24	21.90	21.70	20.00	22.70	17
9.49	13.15	12.95	11.25	13.95	10
6.99	10.65	10.45	8.75	11.45	8
5.74	9.40	9.20	7.50	10.20	7
4.49	8.15	7.95	6.25	8.95	6
3.24	6.90	6.70	5.00	7.70	5
1.99	5.65	5.45	3.75	6.45	4
E	D	C	B	A	PIN数

REV	DATE	MODIFICATION DESCRIPTION	CHANGE	OPERATION		DRAW	DATE	SCALE	FIT	PART NO.
				X.X	±0.40					
A1	2017.12.19	Modify	----	X.XX	±0.25	Ding	2017.12.19	UNIT	mm	3652-SXXX-034SNR0X
A0	2016.10.20	NEW	----	X.XXX	±0.15			SIZE	A4	TITLE:
				Angle	± 3'	APPROVE		SHEET	1/1	1.25mm BTB FEMALE, 90° SMT H=3.4
				DIM	TOL			PROJ.		Customer NO.

# WCON

Http: www.wcon.com

WCON-Dongguan Tel: +86 769 85358920 Fax: +86 769 85358915 E-mail: sales@wcon.com	WCON-Kunshan Tel: +86 512 57468408 Fax: +86 512 57468468 E-mail: salesks@wcon.com
---	--