

1

2

3

4

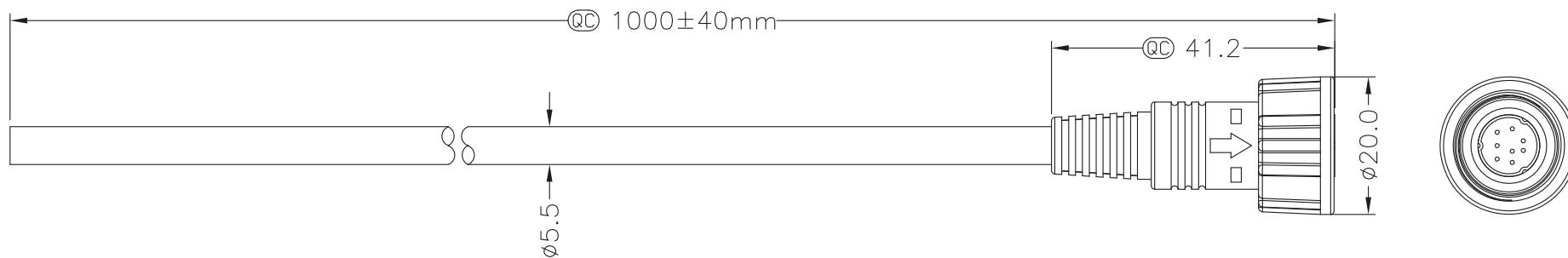
5

6

7

A

A

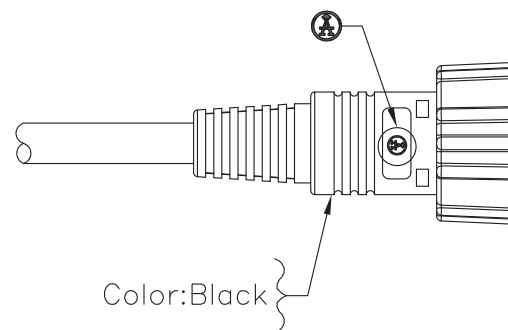


B

B

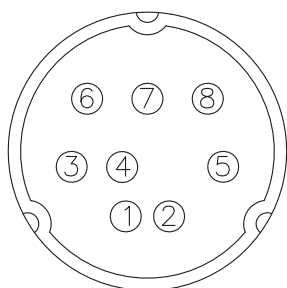
C

C



D

D



Pin Assignments  
Front View

Drain	Shield
Purple	8
Blue	7
Green	6
Yellow	5
Orange	4
Black	3
Brown	2
Red	1
Wire Color	Conn.
Pin Out	

E

E

**Material:**


- Connector: Mini DIN plug
- Cable: UL2464 26AWG\*8C+D+T  
- Black, OD=5.0mm
- Temperature rating: -20°C~+80°C

F

F

G

G

Scale	1:1					Date	Name	Title Waterproof Mini DIN connector Female conn./Male pin, 8 pin, 1M cable
TOLERANCE						Drawn	01.12.11	
X.X	±0.40					Approved		
X.XX	±0.25							
X.XXX	±0.15							
DIM	TOL							
X.°	±3°							
X.X°	±X°							
Angle	TOL	Id.	Modification	Date	Name			Drawing-No.
								Replace
								Sheet
								1/1

Unit: mm



H

H

1

2

3

4

5

6

7