

# LRN1013-52

HIGH SPEED LAN 10 /100BASE-TX MAGNETICS

## Single Port, Through Hole, Tab Down RJ45 Connectors

### General Specifications

IEEE 802.3 Ethernet Compatible, Dual Channel

Operating Temperature 0 to 70

### Electrical Specification @25

OCL:350uH min with 8mA DC bias

Isolation HI-POT : 1500 Vrms (pri/sec)

Turn Ratio ( $\pm 2\%$ ) TX=1CT:1CT, RX=1:1

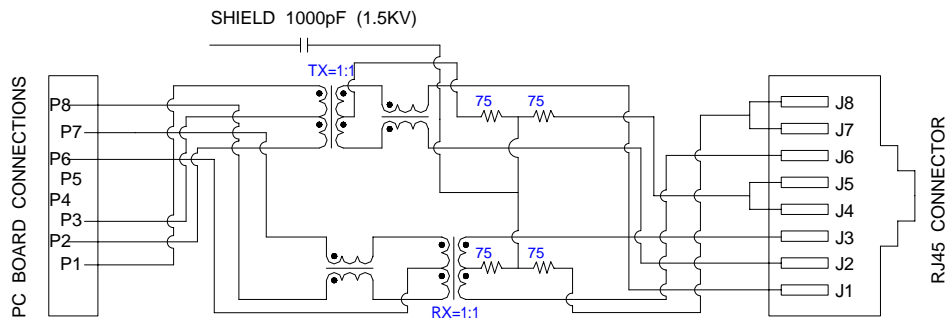
CMRR(1-100MHz):-35dB typ

Insertion Loss (0.1-100MHz): -1.15dB max

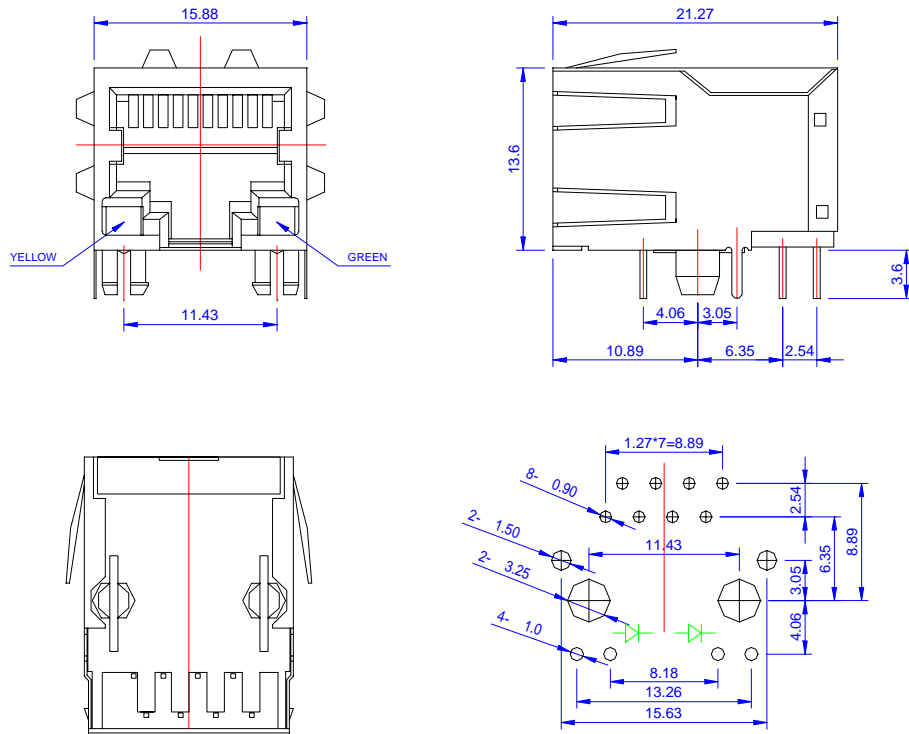
Cross Talk(0.1-30MHz): -35dB min

Return Loss:	1-30MHz	30-50MHz	50-60MHz	60-80MHz
	-18dB min	-16dB min	-14dB min	-12dB min

### Schematic:



### Dimensions:



Units:mm

Unless otherwise specified,all tolerances are  $\pm 0.25$