

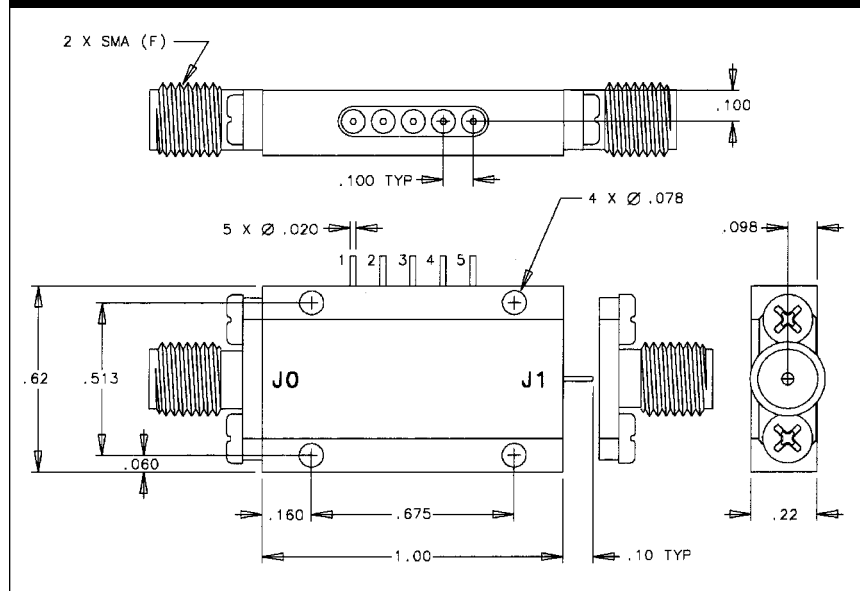
SINGLE POLE, SINGLE THROW DROP-IN/CONNECTORIZED SWITCH MODULES



ELECTRICAL CHARACTERISTICS

PART #	TYPE	FREQ RANGE GHz	LOSS dB	ISO dB	VSWR	SWITCH SPEED ns	RF POWER dBm	DC SUPPLY Volts
6011	SPST N	2-14	2.5	60	2.0:1	200	25	+5,-5
6012	SPST N	.01-1	2.0	60	2.0:1	25	25	+5
6014	SPST N	9-10.1	2.0	80	1.5:1	12	30	+5,-5

PACKAGE OUTLINE



DESCRIPTION

Designed to deliver the fast switching speed and/or high isolation required in many of today's sophisticated radar systems. These modules are ideal for use in a wide range of both microstrip and connectorized environments, especially those where space is at a premium. Hermetic, military/industrial design.

ADDITIONAL FEATURES (#6014)

- Isolation: Up to 80 dB

CONNECTORS

- Pin/SMA

OPERATING ENVIRONMENT

- Operating Temperature: -55 to +125°C

- Storage Temperature: -65 to +150°C

- Impedance: 50 ohm

- Control: Transistor-Transistor Logic (TTL)

APPLICATIONS

- Tracking radar
- Weather radar
- Airborne surveillance systems