

03

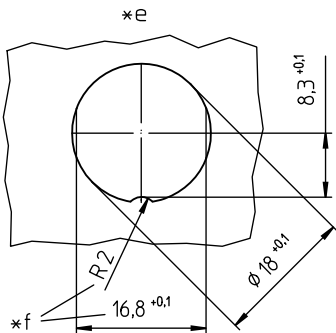
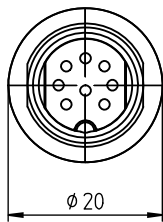
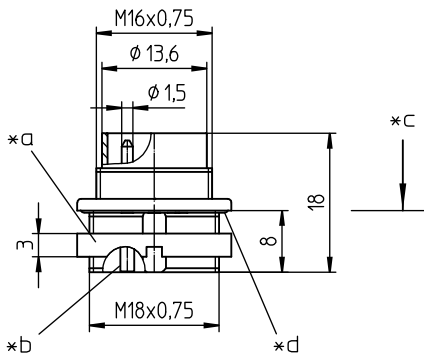
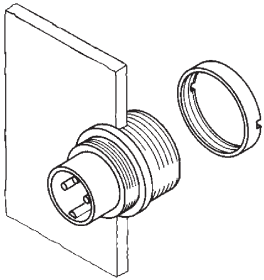
0314-2

Circular connectors with threaded joint M16 acc. to IEC 61076-2-106, IP40/IP67/IP68



SWUM™ chassis plug acc. to IEC 61076-2-106 and AISG specification, IP 68/67, with threaded joint and solder terminals, for front mounting

03 0314-2



Environmental conditions

Temperature range -40 °C/+85 °C

Materials

Insulating body	PA, V-2 according to UL94
Contact pin	CuZn, silver-plated and flash gold-plated
Housing	Zn diecast, pre-copper and nickel-plated
Ring screw	CuZn, nickel-plated
Seal	NBR

Mechanical data

Protection class IP68/67¹

¹ according to IEC 60529/DIN EN 60529

IP68: sealed in locked position; pair of appropriate connectors in locked position is sealed against ingress of dust and moisture.

IP67: sealed when unmated (SWUM™); no dust or moisture can ingress into the inside of the device through an unmated connector accidentally left unprotected. IPX8 requirements under agreement between user and manufacturer

Connectable conductors for solder area

Section $\leq 0.75 \text{ mm}^2$ (AWG 20)

Electrical data (at $T_{\text{amb}} 20 \text{ °C}$)

Rated current	5 A ($T_{\text{amb}} 40 \text{ °C}$)
Rated voltage	60 V
Rated impulse voltage	1 kV/60 s
Material group	II (IEC)/I (UL) (CTI ≥ 450)
Overvoltage category	I
Insulation resistance	$> 100 \text{ M}\Omega$

Associated products

Counterparts

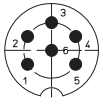
☞ 0321	☞ 0322	☞ 0322-1
☞ 032200	☞ 0360	☞ 036000

Accessories

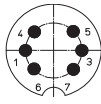
☞ 0382	☞ 0383	☞ 038399
☞ 0384	☞ 0385	☞ 038899

03

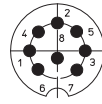
0314-2



06-a
0314-2 06



0314-2 06-1



08-a
0314-2 08-1

- *a nut enclosed separately
- *b cup-shaped solder terminal
- *c mounting direction
- *d O-ring gasket
- *e port in mounting plate
- *f anti-rotation, alternative execution

03

0314-2

Designation	Pole Number	PU (Pieces)	MDQ (Pieces)
0314-2 06	6	50	100
0314-2 06-1	6	50	100
0314-2 08-1	8	50	100

Packaging:

in a cardboard box