

Evaluation Board for 16-Bit, Serial Input, Loop-Powered 4 mA to 20 mA DAC

FEATURES

Full-featured evaluation board for the AD5421
 Link options
 PC control in conjunction with Analog Devices, Inc.,
 system demonstration platform (SDP)
 PC software for control

EQUIPMENT NEEDED

DC power supply unit
 SDP for PC control (EVAL-SDP-CB1Z)
 Voltmeter or ammeter

DOCUMENTS NEEDED

AD5421 data sheet

SOFTWARE NEEDED

AD5421 evaluation software

EVALUATION BOARD DESCRIPTION

The EVAL-AD5421 is a full-featured evaluation board, designed to allow the user to easily evaluate all features of the AD5421 loop-powered 4 mA to 20 mA DAC. The AD5421 pins are accessible at on-board connectors for external connection. The AD5421 evaluation board is controlled via the PC's USB port in conjunction with Analog Device's system demonstration platform board. The SDP board allows the evaluation board to be controlled through the USB port of a Windows® XP (SP2 or later) or Vista-based (32-bit) PC using the AD5421 evaluation software. The AD5421 serial interface is also accessible at the testpoint connections on the board.

DEVICE DESCRIPTION

The AD5421 is an integrated device designed for use in loop-powered 4 mA to 20 mA smart transmitter applications. The AD5421, in a single chip, provides a 16-bit DAC and current amplifier for digital control of the loop current, a voltage regulator to power the entire transmitter, a voltage reference, fault alert functions, flexible SPI-compatible serial interface, gain and offset adjust registers as well as other features and functions.

Complete specifications for the AD5421 are available in the AD5421 data sheet available from Analog Devices and should be consulted in conjunction with this document when using the evaluation board.

FUNCTIONAL BLOCK DIAGRAM

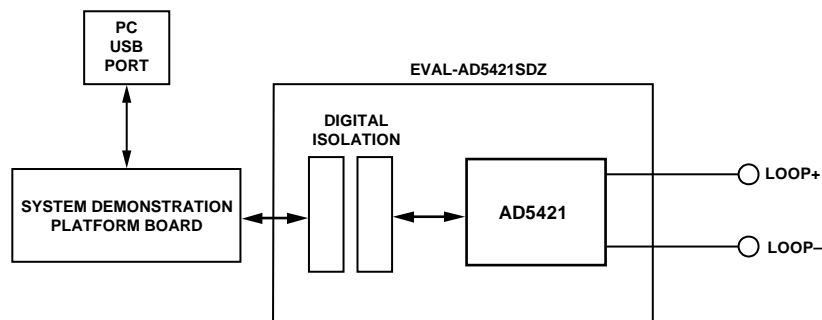


Figure 1.

09701-001

TABLE OF CONTENTS

Features	1	Power Supplies.....	3
Equipment Needed.....	1	Link Options	3
Documents Needed.....	1	Evaluation Board Software Quick Start Procedures.....	5
Software Needed.....	1	Software Installation	5
Evaluation Board Description.....	1	Software Operation	5
Device Description	1	Main Window	6
Functional Block Diagram	1	Evaluation Board Schematics and Artwork.....	7
Revision History	2	Ordering Information.....	11
Evaluation Board Hardware.....	3	Bill of Materials.....	11

REVISION HISTORY

10/11—Rev. 0 to Rev. A	
Change to Figure 4	7
3/11—Revision 0: Initial Version	

EVALUATION BOARD HARDWARE

POWER SUPPLIES

The [AD5421](#) evaluation board requires one power supply connection from LOOP- to LOOP+ (J7), a voltage in the range from 5.5 V to 52 V can be applied if the on-board MOSFET device (U2) is not enabled. With U2 enabled, the voltage limit is the breakdown voltage of U2, which in this case is 240 V. A load resistor can also be connected at J7.

LINK OPTIONS

Set the link options on the evaluation board for the required operating setup before powering on the board. The functions of the link options are described in Table 2.

Default Link Option Setup

The default link options are listed in Table 1.

Table 1. Link Options

Link No.	Option
LK1	Inserted
LK2	B
LK4	Inserted
LK6	Inserted
LK7	Inserted
Alarm_Dir	B
Rint_Rext	B
Range0	B
Range1	B
Reg_Sel0	A
Reg_Sel1	B
Reg_Sel2	A

Table 2. Link Options

Link No.	Description																																
LK1	This link connects the V _{LOOP} input pin to the LOOP+ voltage via a 20:1 resistor divider. When this link is inserted, the V _{LOOP} pin is connected to the resistor divider. When this link is removed, the V _{LOOP} pin is unconnected and can be connected to another voltage (maximum 2.5 V) via TP26.																																
LK2	This link enables/disables the MOSFET device. Position A disables the MOSFET device. Position B enables the MOSFET device and the loop supply is connected directly to the REG _{IN} pin.																																
LK4	This link enables/disables the iCoupler® digital isolators. When this link is inserted, the isolators are enabled. When this link is removed, the isolators are disabled.																																
LK6	This link should be inserted when the MOSFET device is enabled (LK2 in Position B). This link should be removed when the MOSFET device is disabled (LK2 in Position A).																																
LK7	This link completes the loop connection if a load resistor is not connected at Connector J7. This link should be inserted if a load resistor is not connected at Connector J7. This link should be removed if a load resistor is connected at Connector J7.																																
Alarm_Dir	This link selects the alarm current direction. Position A selects an upscale alarm current (22.8 mA or 24 mA). Position B selects a downscale alarm current (3.2 mA).																																
Rint_Rext	This link selects to use either the internal or external current setting resistor. Position A selects the internal resistor. Position B selects the external resistor.																																
Range0, Range1	These links select the loop current range.																																
	<table border="1"> <thead> <tr> <th>Range1</th> <th>Range0</th> <th>Loop Range</th> </tr> </thead> <tbody> <tr> <td>B</td> <td>B</td> <td>4 mA to 20 mA</td> </tr> <tr> <td>B</td> <td>A</td> <td>3.8 mA to 21 mA</td> </tr> <tr> <td>A</td> <td>B</td> <td>3.2 mA to 24 mA</td> </tr> <tr> <td>A</td> <td>A</td> <td>3.8 mA to 21 mA</td> </tr> </tbody> </table>	Range1	Range0	Loop Range	B	B	4 mA to 20 mA	B	A	3.8 mA to 21 mA	A	B	3.2 mA to 24 mA	A	A	3.8 mA to 21 mA																	
Range1	Range0	Loop Range																															
B	B	4 mA to 20 mA																															
B	A	3.8 mA to 21 mA																															
A	B	3.2 mA to 24 mA																															
A	A	3.8 mA to 21 mA																															
Reg_Sel2, Reg_Sel1, Reg_Sel0	These links select the voltage regulator output voltage.																																
	<table border="1"> <thead> <tr> <th>Reg_Sel2</th> <th>Reg_Sel1</th> <th>Reg_Sel0</th> <th>Regulator Output Voltage</th> </tr> </thead> <tbody> <tr> <td>B</td> <td>B</td> <td>B</td> <td>1.8 V</td> </tr> <tr> <td>B</td> <td>B</td> <td>A</td> <td>2.5 V</td> </tr> <tr> <td>B</td> <td>A</td> <td>B</td> <td>3 V</td> </tr> <tr> <td>B</td> <td>A</td> <td>A</td> <td>3.3 V</td> </tr> <tr> <td>A</td> <td>B</td> <td>B</td> <td>5 V</td> </tr> <tr> <td>A</td> <td>B</td> <td>A</td> <td>9 V</td> </tr> <tr> <td>A</td> <td>A</td> <td>B</td> <td>12 V</td> </tr> </tbody> </table>	Reg_Sel2	Reg_Sel1	Reg_Sel0	Regulator Output Voltage	B	B	B	1.8 V	B	B	A	2.5 V	B	A	B	3 V	B	A	A	3.3 V	A	B	B	5 V	A	B	A	9 V	A	A	B	12 V
Reg_Sel2	Reg_Sel1	Reg_Sel0	Regulator Output Voltage																														
B	B	B	1.8 V																														
B	B	A	2.5 V																														
B	A	B	3 V																														
B	A	A	3.3 V																														
A	B	B	5 V																														
A	B	A	9 V																														
A	A	B	12 V																														

EVALUATION BOARD SOFTWARE QUICK START PROCEDURES

SOFTWARE INSTALLATION

The **AD5421** evaluation kit includes self-installing software on a CD. The software is compatible with Windows XP (SP2) and Vista (32-bit). If the setup file does not run automatically, you can run **setup.exe** from the CD.

Install the evaluation software before connecting the evaluation board and SDP board to the USB port of the PC to ensure that the evaluation system is correctly recognized when connected to the PC.

1. After installation from the CD is complete, power up the AD5421 evaluation board as described in the Power Supplies section.
2. Connect the SDP board to the AD5421 evaluation board and then to the USB port of your PC using the supplied cable. Either connector of the SDP board may be used.
3. When the evaluation system is detected, proceed through any dialog boxes that appear. This finishes the installation.

SOFTWARE OPERATION

To launch the software, complete the following steps:

1. From the **Start** menu, select **Analog Devices – AD5421**; then select **AD5421 Evaluation Software**. The main window of the software displays (see Figure 3).
2. If the evaluation system is not connected to the USB port when the software is launched, or if the AD5421 board is not connected to the SDP board, a connectivity error displays (see Figure 2). Simply connect the evaluation board to the USB port of the PC, wait a number of seconds, click **Rescan**, and follow the instructions.

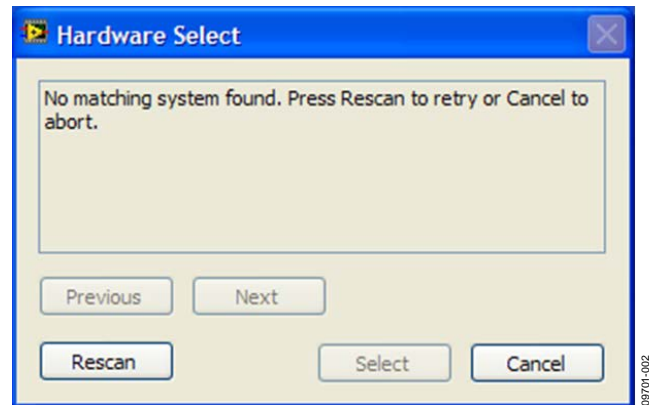


Figure 2. Connectivity Error Alert



Figure 3. Main Window

MAIN WINDOW

As can be seen in Figure 3, the main window is made up of 5 tabs; **Control Register**, **DAC Register**, **Fault Register**, **Program Loop Current**, and **Command Write**. Outside of the tab structure at the top right of the window are two control items; **LDAC PIN** to set the state of the LDAC pin and **USE PEC** to select whether packet error checking is used in the communications with the **AD5421**. There is also an indicator item; **PEC Error**, this alerts to a packet error in the data received from the **AD5421**. At the bottom of the window is a display of the contents of the fault register, this is updated on every communication with the **AD5421** if **Auto Fault Readback** is enabled.

Control Register

The **Control Register** tab is displayed by default. This tab allows the user to program the control register.

DAC Register

The **DAC Register** tab allows the user to program the DAC register, offset adjust register, and gain adjust register.

Fault Register

The **Fault Register** tab allows the user to read the contents of the fault register. The fault register can also be polled continuously.

Program Loop Current

The **Program Loop Current** tab allows the user to program a loop current value directly by entering the value in milliamps after having first selected the loop current range that is set by the Range0 and Range1 link options.

Command Write

The **Command Write** tab allows the user to read/write all of the **AD5421s** registers as well as issue commands.

EVALUATION BOARD SCHEMATICS AND ARTWORK

09701-004

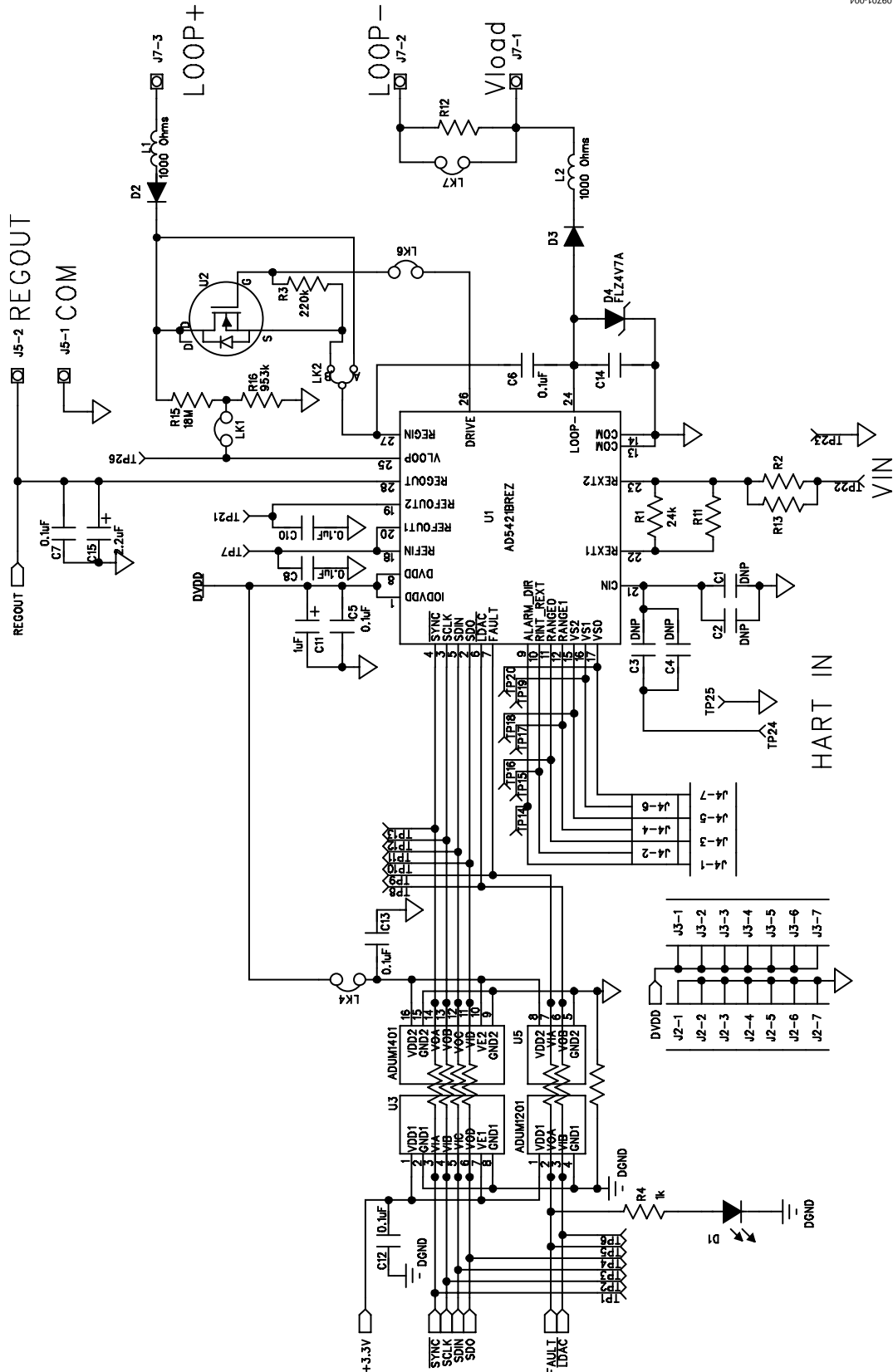


Figure 4. Schematic of the AD5421 Circuitry

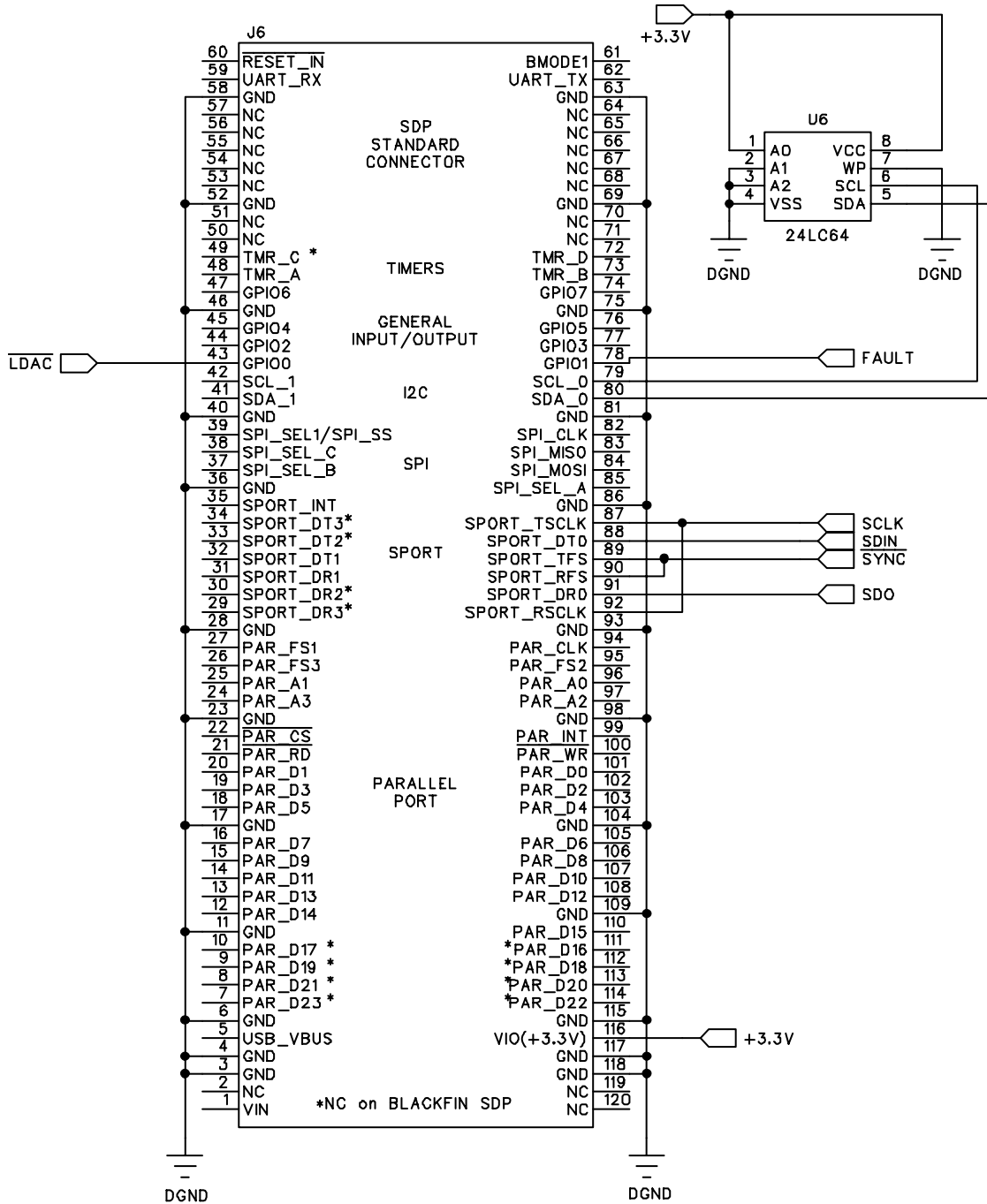


Figure 5. Schematic of the SDP Board Connector

09701-005

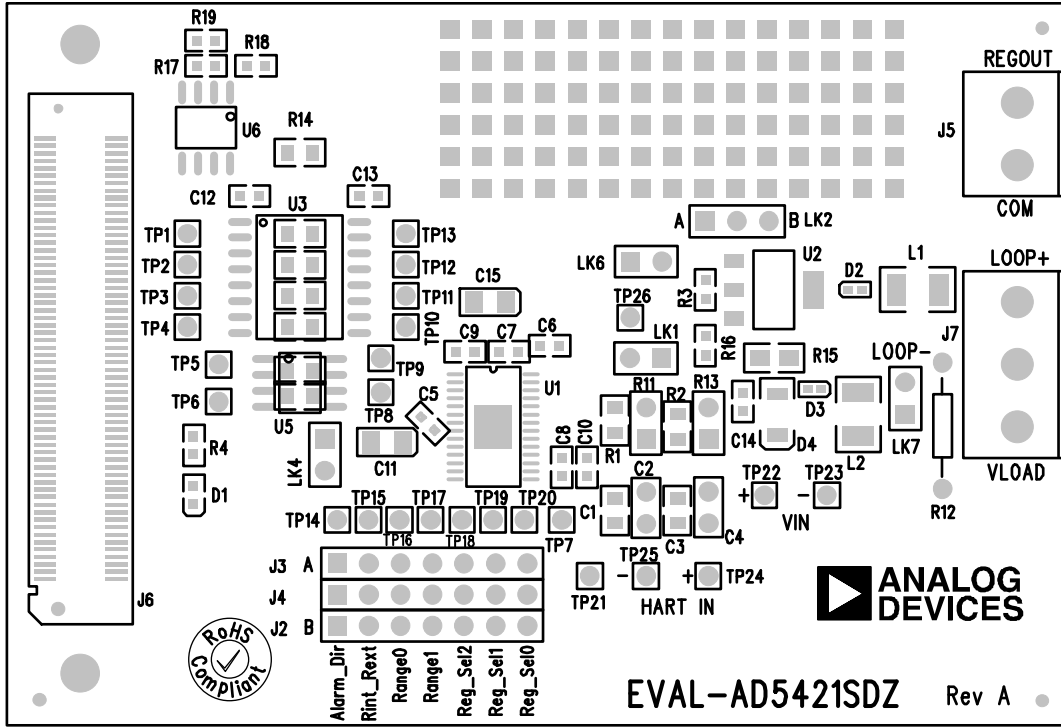


Figure 6. Component Placement Drawing

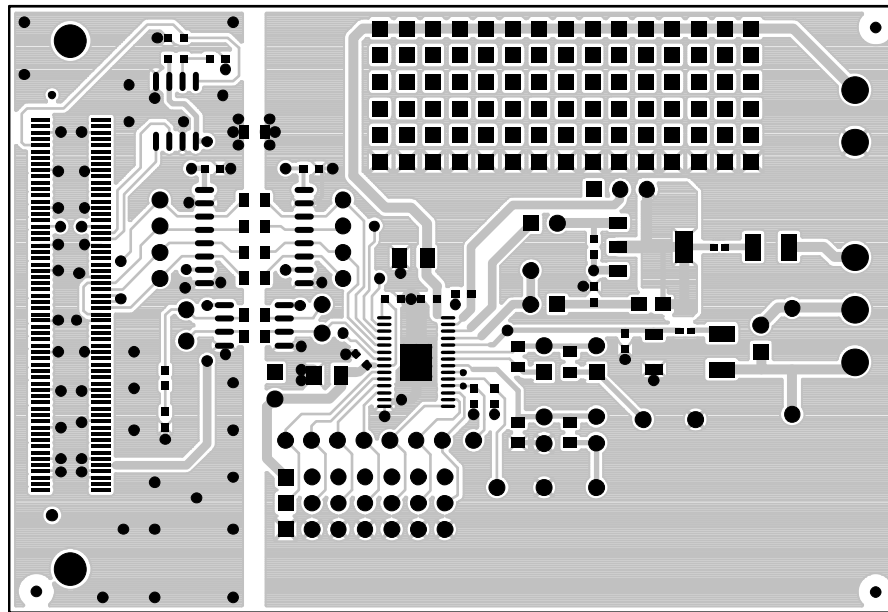
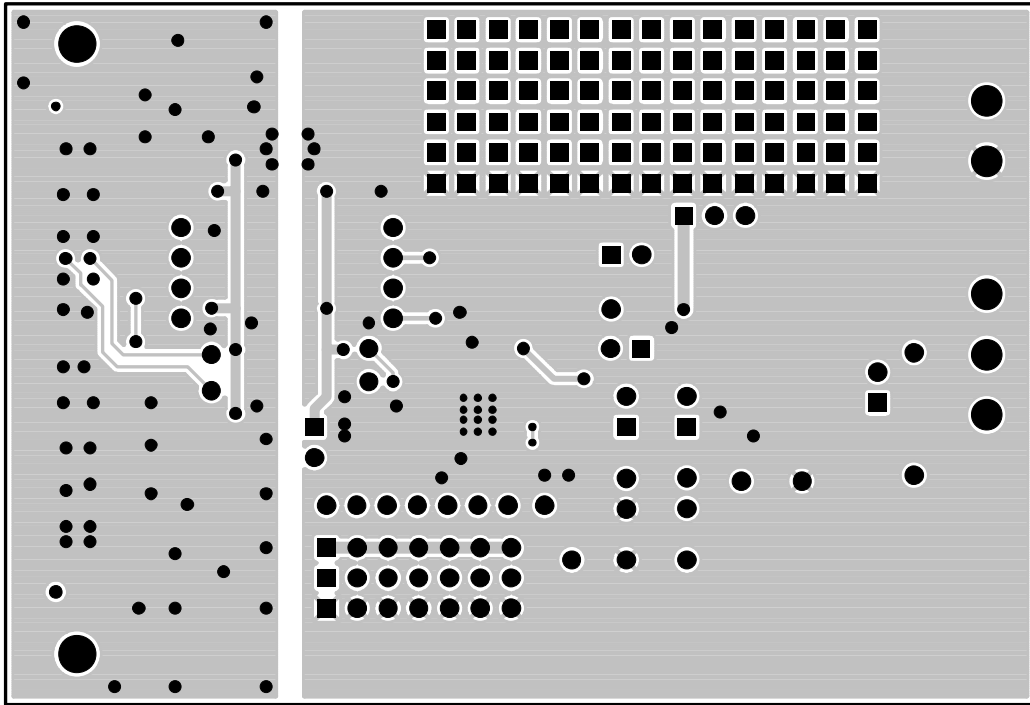


Figure 7. Component Side PCB Drawing



09701-008

Figure 8. Solder Side PCB Drawing

ORDERING INFORMATION

BILL OF MATERIALS

Table 3.

Reference Designator	Part Description	Part Number	Supplier/Number
C5	Capacitor, F/TERM, 100 nF, 50 V, X7R	06035C104KAZ2A	FEC 1301894
C6	Capacitor, F/TERM, 100 nF, 50 V, X7R	06035C104KAZ2A	FEC 1301894
C7	Capacitor, F/TERM, 100 nF, 50 V, X7R	06035C104KAZ2A	FEC 1301894
C8	Capacitor, F/TERM, 100 nF, 50 V, X7R	06035C104KAZ2A	FEC 1301894
C9	Capacitor, F/TERM, 100 nF, 50 V, X7R	06035C104KAZ2A	FEC 1301894
C10	Capacitor, F/TERM, 100 nF, 50 V, X7R	06035C104KAZ2A	FEC 1301894
C11	Capacitor, 1 μ F, 16 V, Case A tantalum	MCCTA105M016	FEC 1190114
C12	Capacitor, F/TERM, 100 nF, 50 V, X7R	06035C104KAZ2A	FEC 1301894
C13	Capacitor, F/TERM, 100 nF, 50 V, X7R	06035C104KAZ2A	FEC 1301894
C15	Capacitor, 2.2 μ F, 16 V, Case A tantalum	MCCTA225M016	FEC 1190115
D1	LED, yellow, 0603	LY Q971-H1K1-36-0-20-R18	Digi-Key 475-2557-1-ND
D2	BAS516, high speed switching diodes	BAS516	FEC 8734402
D3	BAS516, high speed switching diodes	BAS516	FEC 8734402
D4	Diode ZENER, 4.7 V, 500 MW, SOD-80	FLZ4V7A	Digi-Key FLZ4V7ACT-ND
J2	Header, TIN, SIL, 32-way	3-826936-2	FEC 5217805 and FEC 1212164 (x7)
J3	Header, TIN, SIL, 32-way	3-826936-2	FEC 5217805 and FEC 1212164 (x7)
J4	Header, TIN, SIL, 32-way	3-826936-2	FEC 5217805 and FEC 1212164 (x7)
J5	2-pin terminal block (5 mm pitch)	CTB5000/2	FEC 151789
J6	120-way connector, 0.6 mm pitch	FX8-120S-SV(21)	FEC 1324660
J7	3-pin terminal block (5 mm pitch)	CTB5000/3	FEC 151790
L1	Ferrite bead chip, series FB FB	FBMH3225HM102NT	FEC 1651731
L2	Ferrite bead chip, series FB FB	FBMH3225HM102NT	FEC 1651731
LK1	2-pin (0.1" pitch) header and shorting shunt	M20-9990246	FEC 1022247 and FEC 150-411
LK2	3-pin SIL header and shorting link	M20-9990345 and M7567-05	FEC 1022248 and FEC 150410
LK4	2-pin (0.1" pitch) header and shorting shunt	M20-9990246	FEC 1022247 and FEC 150-411
LK6	2-pin (0.1" pitch) header and shorting shunt	M20-9990246	FEC 1022247 and FEC 150-411
LK7	2-pin (0.1" pitch) header and shorting shunt	M20-9990246	FEC 1022247 and FEC 150-411
R1	Resistor, 24 k Ω , 0805, 5 ppm	PCF0805-13-24K-B-T1	FEC 1108901
R3	Resistor, 220 k Ω , 5%, 50 V, 0.063W, 0603	MC 0.063W 0603 5% 220K	FEC 9331930
R4	Resistor, 1 k Ω , 5%, 50 V, 0.063W, 0603	MC 0.063W 0603 5% 1K	FEC 9331697
R15	Resistor, HRC11 0805 18M	RC0805JR-0718ML	Yageo (Phycomp) FEC 9236422
R16	MULTICOMP, resistor, 0603 953 k Ω	MC 0.063W 0603 1% 953K	FEC 1171085
R18	RESISTOR, 0603, 100 k Ω , 1%	MC 0.063W 0603 1% 100K	FEC 9330402
R19	RESISTOR, 0603, 100 k Ω , 1%	MC 0.063W 0603 1% 100K	FEC 9330402
U1	Loop powered, 4 mA to 20 mA DAC	AD5421CREZ	AD5421CREZ
U2	Depletion mode, N-channel MOSFET	BSP129	FEC 1214279
U3	Digital isolator	ADUM1401ARWZ	ADuM1401ARWZ
U5	Digital isolator	ADuM1201ARZ	ADuM1201ARZ
U6	64K I ² C serial EEPROM	24LC64-I/SN	FEC 9758070

NOTES

**ESD Caution**

ESD (electrostatic discharge) sensitive device. Charged devices and circuit boards can discharge without detection. Although this product features patented or proprietary protection circuitry, damage may occur on devices subjected to high energy ESD. Therefore, proper ESD precautions should be taken to avoid performance degradation or loss of functionality.

Legal Terms and Conditions

By using the evaluation board discussed herein (together with any tools, components documentation or support materials, the "Evaluation Board"), you are agreeing to be bound by the terms and conditions set forth below ("Agreement") unless you have purchased the Evaluation Board, in which case the Analog Devices Standard Terms and Conditions of Sale shall govern. Do not use the Evaluation Board until you have read and agreed to the Agreement. Your use of the Evaluation Board shall signify your acceptance of the Agreement. This Agreement is made by and between you ("Customer") and Analog Devices, Inc. ("ADI"), with its principal place of business at One Technology Way, Norwood, MA 02062, USA. Subject to the terms and conditions of the Agreement, ADI hereby grants to Customer a free, limited, personal, temporary, non-exclusive, non-sublicensable, non-transferable license to use the Evaluation Board FOR EVALUATION PURPOSES ONLY. Customer understands and agrees that the Evaluation Board is provided for the sole and exclusive purpose referenced above, and agrees not to use the Evaluation Board for any other purpose. Furthermore, the license granted is expressly made subject to the following additional limitations: Customer shall not (i) rent, lease, display, sell, transfer, assign, sublicense, or distribute the Evaluation Board; and (ii) permit any Third Party to access the Evaluation Board. As used herein, the term "Third Party" includes any entity other than ADI, Customer, their employees, affiliates and in-house consultants. The Evaluation Board is NOT sold to Customer; all rights not expressly granted herein, including ownership of the Evaluation Board, are reserved by ADI. CONFIDENTIALITY. This Agreement and the Evaluation Board shall all be considered the confidential and proprietary information of ADI. Customer may not disclose or transfer any portion of the Evaluation Board to any other party for any reason. Upon discontinuation of use of the Evaluation Board or termination of this Agreement, Customer agrees to promptly return the Evaluation Board to ADI. ADDITIONAL RESTRICTIONS. Customer may not disassemble, decompile or reverse engineer chips on the Evaluation Board. Customer shall inform ADI of any occurred damages or any modifications or alterations it makes to the Evaluation Board, including but not limited to soldering or any other activity that affects the material content of the Evaluation Board. Modifications to the Evaluation Board must comply with applicable law, including but not limited to the RoHS Directive. TERMINATION. ADI may terminate this Agreement at any time upon giving written notice to Customer. Customer agrees to return to ADI the Evaluation Board at that time. LIMITATION OF LIABILITY. THE EVALUATION BOARD PROVIDED HEREUNDER IS PROVIDED "AS IS" AND ADI MAKES NO WARRANTIES OR REPRESENTATIONS OF ANY KIND WITH RESPECT TO IT. ADI SPECIFICALLY DISCLAIMS ANY REPRESENTATIONS, ENDORSEMENTS, GUARANTEES, OR WARRANTIES, EXPRESS OR IMPLIED, RELATED TO THE EVALUATION BOARD INCLUDING, BUT NOT LIMITED TO, THE IMPLIED WARRANTY OF MERCHANTABILITY, TITLE, FITNESS FOR A PARTICULAR PURPOSE OR NON-INFRINGEMENT OF INTELLECTUAL PROPERTY RIGHTS. IN NO EVENT WILL ADI AND ITS LICENSORS BE LIABLE FOR ANY INCIDENTAL, SPECIAL, INDIRECT, OR CONSEQUENTIAL DAMAGES RESULTING FROM CUSTOMER'S POSSESSION OR USE OF THE EVALUATION BOARD, INCLUDING BUT NOT LIMITED TO LOST PROFITS, DELAY COSTS, LABOR COSTS OR LOSS OF GOODWILL. ADI'S TOTAL LIABILITY FROM ANY AND ALL CAUSES SHALL BE LIMITED TO THE AMOUNT OF ONE HUNDRED US DOLLARS (\$100.00). EXPORT. Customer agrees that it will not directly or indirectly export the Evaluation Board to another country, and that it will comply with all applicable United States federal laws and regulations relating to exports. GOVERNING LAW. This Agreement shall be governed by and construed in accordance with the substantive laws of the Commonwealth of Massachusetts (excluding conflict of law rules). Any legal action regarding this Agreement will be heard in the state or federal courts having jurisdiction in Suffolk County, Massachusetts, and Customer hereby submits to the personal jurisdiction and venue of such courts. The United Nations Convention on Contracts for the International Sale of Goods shall not apply to this Agreement and is expressly disclaimed.