

# PBI2C Series

## AC/DC HIGH SURGE SUPPLY

### FEATURES

- 120W - 240W
- High Current Surge
- Ideal for motors and pumps
- Enclosed panel mount
- Screw Termination
- Optional Conformal Coating



### SPECIFICATIONS

INPUT	
Input Voltage	85–132Vac/170–264Vac link selectable
Frequency	47-440Hz.
Inrush Current	15A @ 100VAC, 30A @ 200VAC.
Power factor	0.9V @ 230Vac
OUTPUT	
Output Voltage	12Vdc, 24Vdc, 36Vdc
Voltage Adjustment	±10% of nominal.
Output Power	PBI2C~N: 120W PBI2C~E: 240W
Output Current	See Selection Table.
Peak load	150% surge for 10 sec
Ripple & Noise	Typ.300mVp-p
Line Regulation	±0.8%
Load Regulation	±0.9%
Temperature Coefficient	PBI2C~N: 0.03% per °C (0° to 50°C) PBI2C~E: 0.01% per °C (0° to 50°C)
Drift	Output V x 0.5% + 15mV after 1 hr per 8 hrs.
Rise Time	500mS max.
Holdup Time	20mS at nominal input and full load.
Efficiency	Typically 85% at full load

ENVIRONMENT	
Operating Temperature	0° to 50°C at full load.
Storage Temperature	-20°C to 85°C
Cooling	Convection cooled
Humidity	Up to 85%
PROTECTION	
Overvoltage Protection	Output shutdown.
Overcurrent Protection	Current limit.
Isolation	Input – Output: 2500VAC Input – Case: 2500VAC Output – Case: 500VAC
OPTIONAL FEATURES	
Conformal coating	Option CC: Conformal Coating for moist areas
Remote control	Option RC: Remote Control
STANDARDS & APPROVALS	
Safety standards	C-UL, UL1950, CSA950, PB12C-N-E, EN609050, UL60950, IEC 60950, PB12C-EHP
C-Tick	AS/NZS CISPR11 Group 1 Class A
EMI standards	VDE1871-A, FCC-A, PB12C-XN-E EN55022 Class B, FCC part 15-B Class B, PB12C-XX-E-HP
MECHANICAL	
Connector	Screw terminals
Dimensions	PBI2C~N: 167 x 89 x 50mm PBI2C~E: 208 x 98 x 65mm
Weight	PBI2C~N: 490g PBI2C~E: 870g

# PBI2C Series

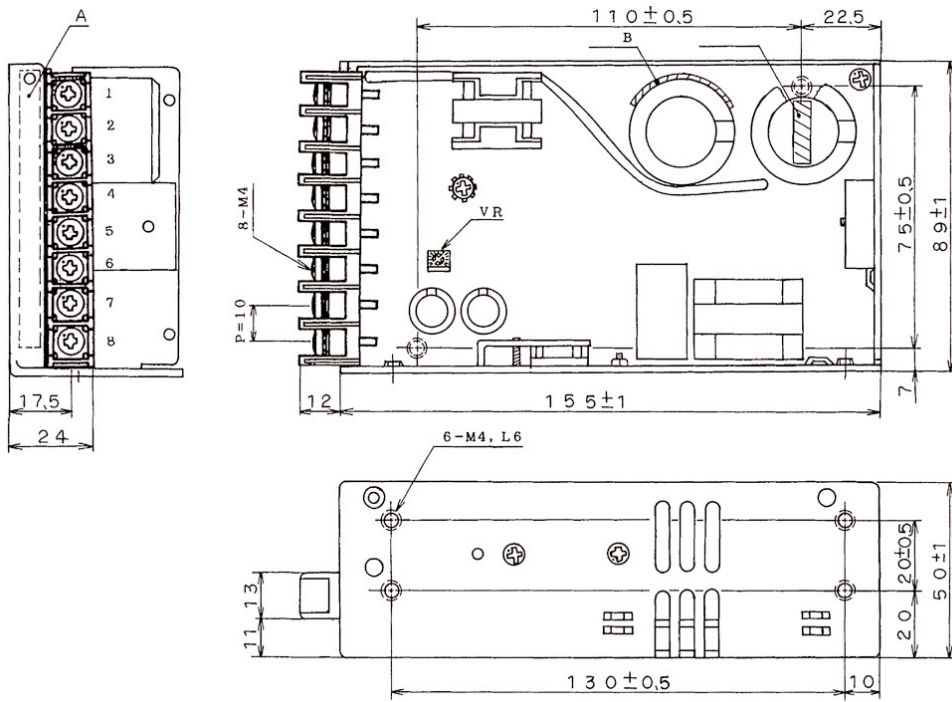
AC/DC HIGH SURGE SUPPLY

## SELECTION TABLE

MODEL NUMBER	OUTPUT VOLTAGE	OUTPUT CURRENT	PEAK CURRENT	POWER
PBI2C-12N	12Vdc	9A	15A	120W
PBI2C-24N	24Vdc	5A	7.5A	120W
PBI2C-36N	36Vdc	3.4A	5A	120W
PBI2C-12E	12Vdc	18A	25A	240W
PBI2C-24E	24Vdc	10A	15A	240W
PBI2C-36E	36Vdc	6.8A	10A	240W

## TECHNICAL ILLUSTRATIONS

PB12C-N 120W



PB12C-E 240W

