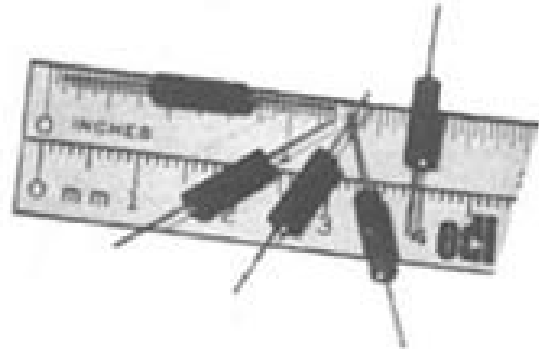




# SR 300 SR 1500

FAST RECOVERY, 100ns. HIGH VOLTAGE  
25ma, MINIATURE SILICON  
RECTIFIERS

- SMALL SIZED MOLDED PACKAGE
- PRV 3,000 TO 15,000 VOLTS
- AVALANCHE CHARACTERISTICS
- LOW LEAKAGE



EDI Type	PRV Volts	COLOR CODE DOT
SR300	3,000	Orange
SR500	5,000	Green
SR800	8,000	Gray
SR1000	10,000	Red
SR1200	12,000	Blank
SR1500	15,000	White

## ELECTRICAL CHARACTERISTICS(at $T_A=25^\circ\text{C}$ Unless Otherwise Specified)

Average Rectified Forward Current @ $50^\circ\text{C}$ , $I_o$	25 mA
Max. Peak Surge Current, $I_{FSM}$ (8.3ms)	3 Amp
Max. Reverse Recovery ,(Fig.4), $t_{rr}$	100nanosec
Max. Forward Voltage Drop @ 25 mA, $V_F$	26Volts
Max. DC Reverse Current @ PRV and $25^\circ\text{C}$ , $I_R$	1 $\mu\text{A}$
Max. DC Reverse Current @ PRV and $100^\circ\text{C}$ , $I_R$	15 $\mu\text{A}$
Ambient Operating Temperature Range, $T_A$	$-55^\circ\text{C}$ to $+150^\circ\text{C}$
Storage Temperature Range, $T_{STG}$	$-55^\circ\text{C}$ to $+150^\circ\text{C}$

### NOTES:

- 1.It is recommended that a proper heat sink be used on the terminals of this device between the body and soldering point to prevent damage from excess heat.
- 2.If operated over 10,000v/inch in length, devices should be immersed in oil or re - encapsulated.

EDI reserves the right to change these specifications at any time without notice.

FIG.1

OUTPUT CURRENT vs AMBIENT TEMPERATURE

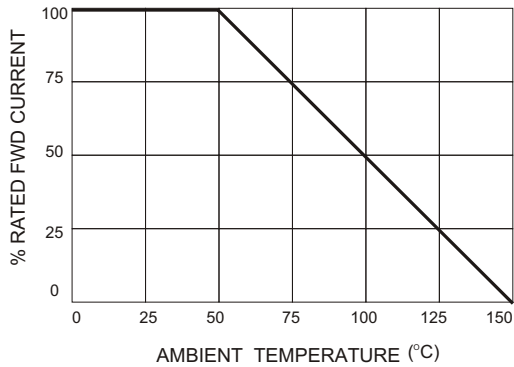


FIG.2

NON-REPETITIVE SURGE CURRENT

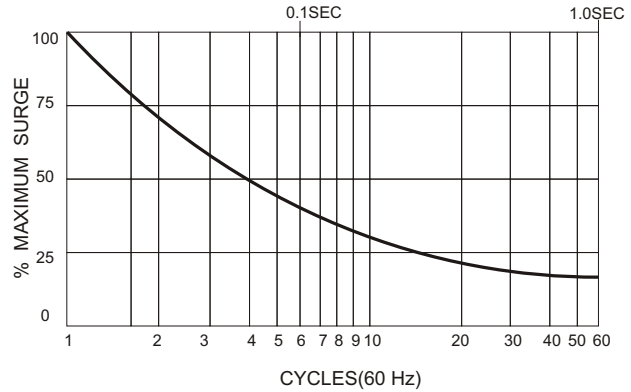
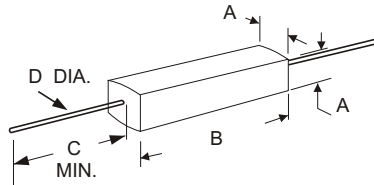


FIG.3

**MECHANICAL**

Polarity - cathode dot.  
See color chart  
Leads - solid silver



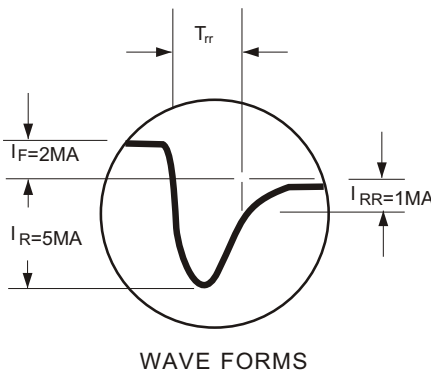
**DIMENSIONS**

	INCHES		MILLIMETERS	
	Min.	Max.	Min.	Max.
A	.095	.125	2.41	3.17
B	.380	.420	9.65	10.66
C	.300	-	7.60	-
D	.011	.016	0.27	0.40

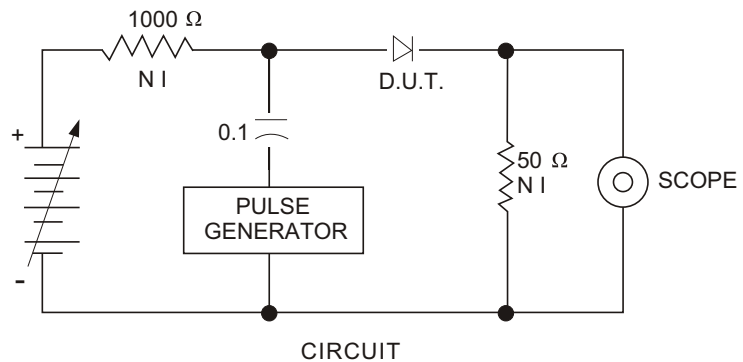
FIG.4

REVERSE RECOVERY TEST METHOD

RECOVERY WAVE FORM



RECOVERY WA VE FORM



**ELECTRONIC DEVICES, INC.** DESIGNERS AND MANUFACTURERS OF SOLID STATE DEVICES SINCE 1951.

21 GRAY OAKS AVENUE \* YONKERS, NEW YORK 10710 914-965-4400 \* FAX 914-965-5531 \* 1-800-678-0828

e-mail: sales@ediododes.com \* website: <http://www.ediododes.com>