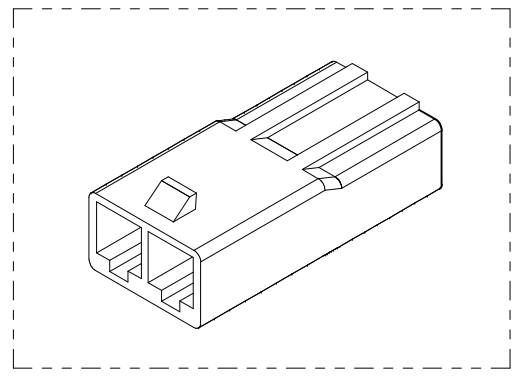


- NOTES
1. MATERIAL : SEE TABLE
 2. COLOR : SEE TABLE
 3. MATCHED HOUSING : 35151-021*
35150-029* (TPA)
 4. APPLIED TERMINAL : 35745-0*10



NO	PRODUCT		MATERIAL	
	PART NO	MATERIAL NO	COLOR	DESCRIPTION
1	35150-0200	351500200	NATURAL	PBT (UL94V-0)
2	35150-0202	351500202	RED	
3	35150-0204	351500204	BLUE	
4	35150-0209	351500209	NATURAL	PC/PET (UL94V-0)
5	35150-2209	351502209	RED	
6	35150-3209	351503209	YELLOW	
7	35150-4209	351504209	BLUE	

REVISED
 EC NO: KOR2009-0026
 DRWN: JHPARK01 2008/09/25
 CHKD: WY YANG 2008/11/25
 APPR: YUNSIKKIM 2008/11/25

QUALITY SYMBOLS
 Ra=0
 C=0

GENERAL TOLERANCES (UNLESS SPECIFIED)

	mm	INCH
4 PLACES	± ---	± ---
3 PLACES	± ---	± ---
2 PLACES	± ---	± ---
1 PLACE	± 0.2	± ---

ANGULAR ± 1 °

DRAFT WHERE APPLICABLE
 MUST REMAIN
 WITHIN DIMENSIONS

DIMENSION STYLE
MM ONLY

DRAWN BY
 JS. KANG

CHECKED BY

APPROVED BY

MATERIAL NO.
SEE TABLE

SIZE
A3

SCALE
3:1

DESIGN UNITS
METRIC

THIRD ANGLE PROJECTION

TITLE
**6.2 PITCH W/W CONN
 MALE HOUSING-2P(W/O EAR)**

MOLEX INCORPORATED

DOCUMENT NO.
SD-35150-020*

SHEET NO.
1 OF 01

THIS DRAWING CONTAINS INFORMATION THAT IS PROPRIETARY TO MOLEX INCORPORATED AND SHOULD NOT BE USED WITHOUT WRITTEN PERMISSION